

# Mark I Series™ Brake

Contractor Model

Commercial Model

## *User's Guide*

|                          |      |
|--------------------------|------|
| Accessories .....        | pg 4 |
| Adjustments .....        | pg 3 |
| Capacities .....         | pg 3 |
| Exploded/Parts .....     | pg 7 |
| Installing legs .....    | pg 5 |
| Maintenance .....        | pg 6 |
| Making Hems .....        | pg 3 |
| Material Stops .....     | pg 3 |
| Setup/Bending .....      | pg 2 |
| Wheel Kits .....         | pg 6 |
| Additional Products..... | pg 8 |

Mark I Series™  
Contractor Model  
"The Workhorse"

# Brake Setup



1

The bending handle assembly shown above comes with handle brackets which are pre-installed. Back off thumb screws far enough to clear front hinge flange and slide assembly onto front hinge. Tighten thumb screws firmly once handle is in desired position. To adjust handle position, loosen both thumb screws, move handle to new location and tighten thumb screws.



2

Place handle ends into bracket openings and align holes in brackets with holes in handle. Insert screws through holes and tighten snugly with hex nuts. Once you have both handles in place, the brake is ready for use.

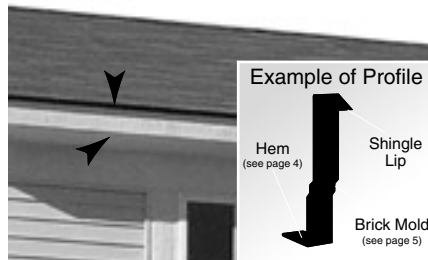
## Material Setup and Bending Basic Shapes

Measure Length of Trim piece 1



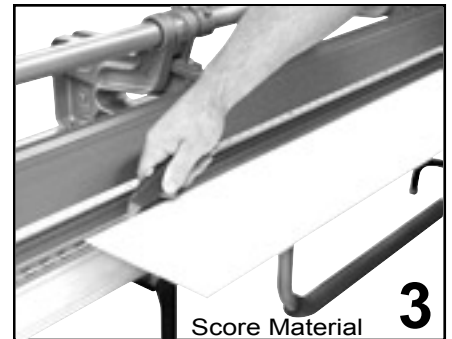
Measure the length of the trim piece. Be sure to add for corner or end laps. If trim piece length exceeds the length of the brake, measure for two pieces and determine best point for overlap.

Measure Total Width 2



2

Measure the width of the trim piece and where each bend will be made. Tech tip: Use a small strip of the material and hand bend it into a profile of the area your trimming off. You can also use the "profile" to check the rest of the job where the same trim piece is to be used.



3

Lay out material from coil and score along desired trim length\*. Next, score along desired width. Transfer the bending information to the scored material ("blank"). With the finish side of the material as your reference, remember to indicate bends up and bends down

Optional Trim Enhancement Step



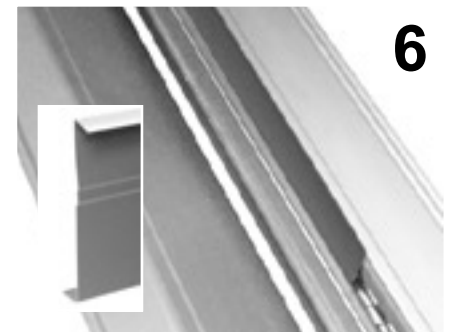
4

Note: For forming standard fascia, proceed to step 6. For enhanced fascia, first determine orientation of brick mold or rib placement in blank. Lock blank evenly in brake and run TrimFormer along piece.



5

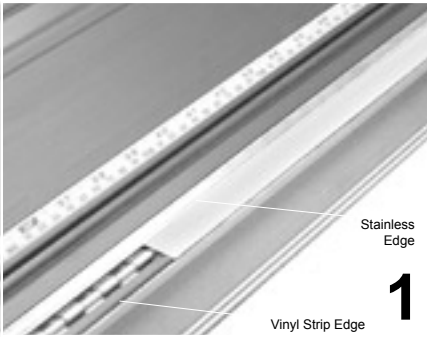
As described on page 4, make hem in material. Next, with finish side down, bend the hemmed lower leg of fascia profile to 90°. Note: Use the Profile strip to check each step for accuracy.



6

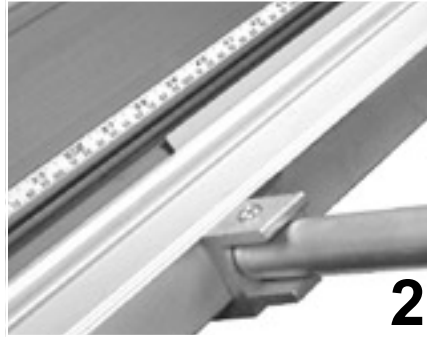
Complete fascia profile by removing piece from brake and reinserting with the finish side down and the top edge extending outward from the brake. Bend top leg until it matches roof pitch.

# Bending Standard 3/4" Hem



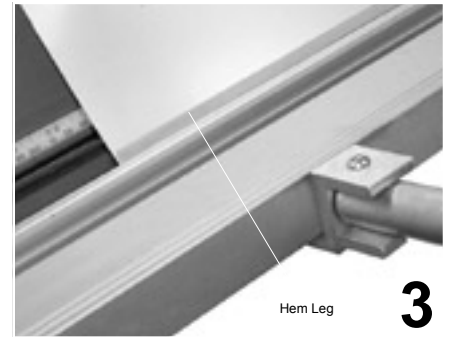
1

Align edge of material even with edge of vinyl strip (approximately 3/4" from stainless edge). Lock in place. Note: When making odd-sized hems, place marks in material and align with stainless edge.



2

Bend material around the stainless edge as far as possible. When bending stiffer materials, release pressure and bend again to account for "spring-back". Note: If hemming heavier material, flatten hem between clamping surfaces using the locking handle before going to step 3.

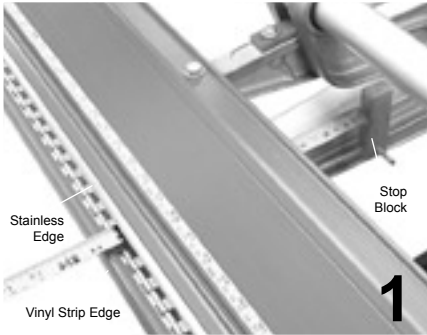


3

Remove material from brake and re-lock clamping surfaces. Place hem edge between vinyl strip and stainless edge. With one hand maintaining piece in position, Bend hem leg snug to material.

## Using the Material Back Stops

Using the material back stops can save a considerable amount of time when either making numerous bends from the same measurement, or when scoring all your blanks at once before actually bending trim.



1

Open mouth of brake and insert tape against each stop block. Align desired measurement on tape with stainless edge. If using QuickScore™ scoring tool, align measurement to outer edge of vinyl strip.



2

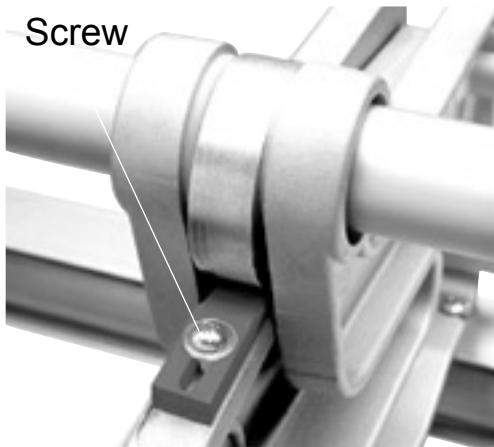
Tighten thumb screw to lock the stop block in place. Repeat tightening of opposite stop block and recheck measurements using the tape rule.



3

With the mouth of the brake still open, insert material up to both stop blocks and lock in place. Periodically check measurements to ensure stop block hasn't moved.

## Adjusting



### Adjusting Cam Wedges

Van Mark Brakes are designed to lock onto the thickness of the material and seldom require adjustment. If material is slipping while bending, or not bending evenly, follow these steps to correct:

1. Lock 6"x6" test piece of material under each casting starting at one end of brake. Move piece side to side along each casting to determine if castings are providing equal resistance.

2. After determining adjustments are needed, loosen wedge screw and move wedge forward in 1/8" increments until you have equal pressure at all castings. Also bend full piece to ensure material is not slipping or warping during bend.

### Bending Capacities

| Material              | Recommended |            |
|-----------------------|-------------|------------|
|                       | Model >     |            |
| Aluminum              | Contractor  | Commercial |
|                       | .032        | .040       |
| Galv. Steel           | 26 ga.      | 24 ga.     |
| Painted Steel Grade D | 26 ga.      | 24 ga.     |
| Copper                | 24 oz.      | 32 oz.     |
| Zinc Alloy            | .032        | .040       |
| Stainless Steel       | 26 ga.      | 26 ga.     |

Capacities are based on standard metal properties. Please contact our factory for capacities on your specific material.

# Using TrimFormer™ and QuickScore™

For best performance, refer to the detailed instruction manual included with each accessory. The following figures show the basic steps in using TrimFormer® and QuickScore™ along with the Mark® series brake.

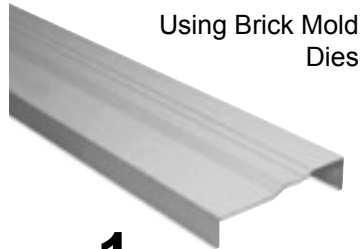
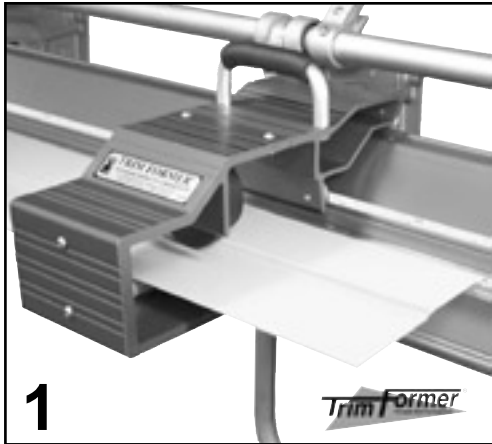


Fig. 1

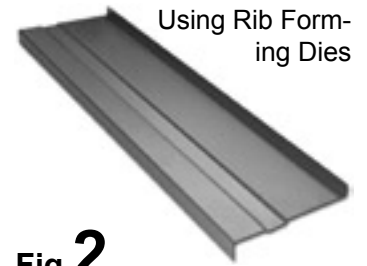
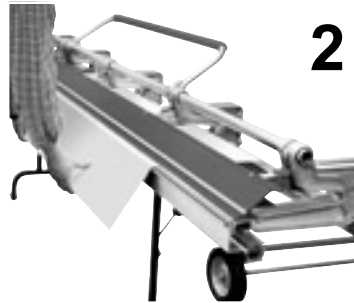


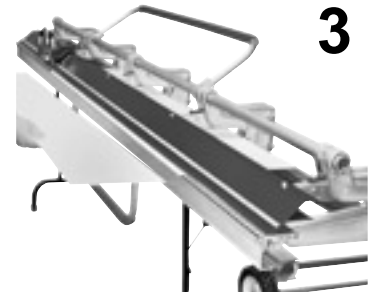
Fig. 2

As seen in **Step 1**, lock material in brake and extend TrimFormer along piece. **Figure 1** shows a fascia panel after using the brick mold dies included with tool. **Figure 2** shows a panel after using the rib forming dies, also included with tool. Either set of dies can be used to stiffen panels as well. Note: Results may vary when using heavier grade materials.

CAUTION: Tool uses sharp blade.



2



3

As seen in **Step 1**, lock material in place with desired score aligned with outer edge of vinyl strip (3/4" from stainless edge). Run QuickScore™ along entire piece of material. In **Step 2**, extend material downward to vertical position. To complete **Step 3**, raise material upward until piece separates in hands.

## Using TrimCutter™

TrimCutter™ is designed to slit most construction grade sheet and coil materials on Mark Series brakes. For information on specific materials and capacities, visit our web site [www.van-mark.com](http://www.van-mark.com) or call the plant.

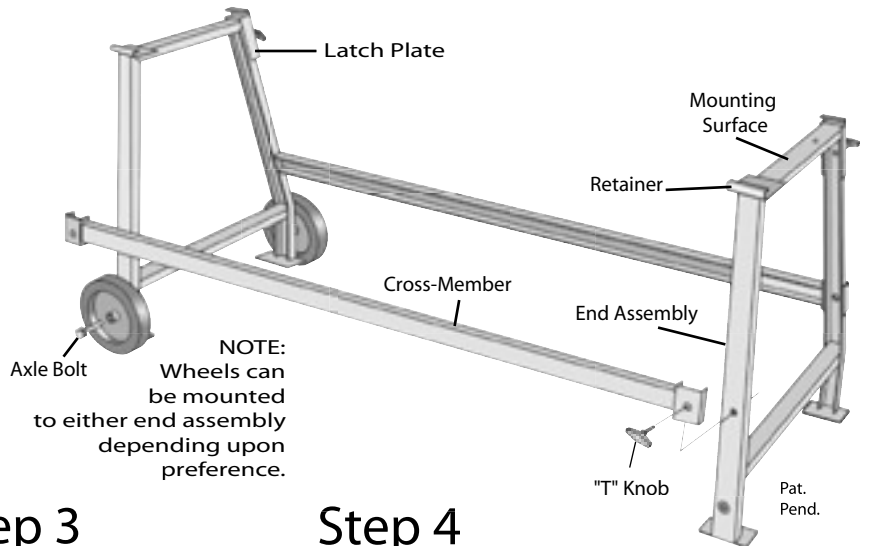


- Step 1. Clamp material in brake with desired cut 1 1/2 inch from the stainless steel bending edge.
- Step 2. While facing the brake, start at the right side end and engage the TrimCutter™ track bearings with the tracks on the anvil (F-Bar).
- Step 3. With one steady motion, extend tool along entire piece of material. The severed piece will lower to the ground.
- Step 4. Remove tool before bending.

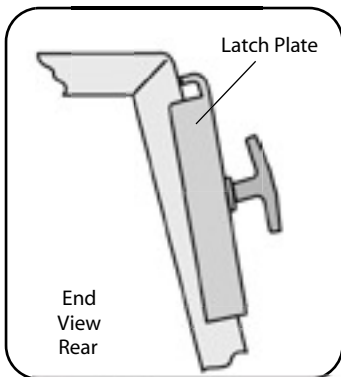
# UniStand™ Setup

## Step 1

Remove and lay out contents of box. Space end assemblies apart and install cross members. Tighten cross members securely in place using the "T" knobs. Locate axle bolts for wheels and install as shown above. Tighten hex jam-nuts to secure wheel mountings. Periodically check "T" knobs to ensure safe and proper use of product.

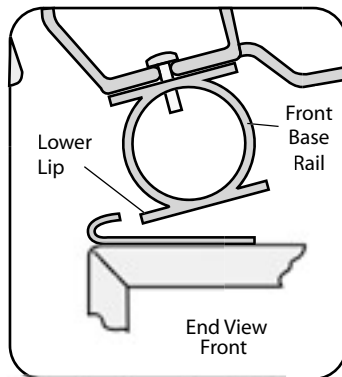


## Step 2



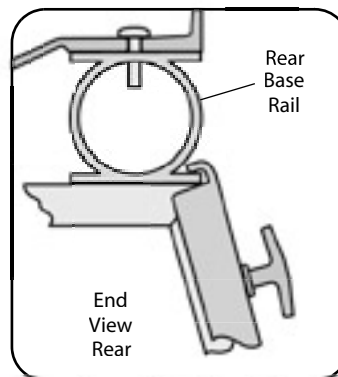
Locate latch plates and position to end assemblies as shown above. For now, loosely thread "T" knobs through slots and into end assemblies allowing plates to remain below the mounting surfaces.

## Step 3

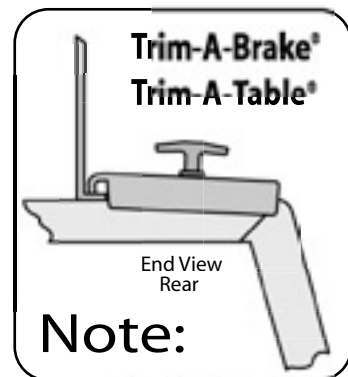


Place the lower lip of the front brake base rail into the opening of each retainer. With lip securely in place, lower brake onto mounting surface.

## Step 4



Extend each latch plate up and over the lower lip of the rear base rail as shown above. Tighten "T" knobs firmly to secure brake to stand.



For use with either Trim-A-Brake or Trim-A-Table, insert front lip as described in Step 3. Next, position latch plate horizontally over mounting surface with tab over the lip of the rear rail. Secure in place with "T" knobs.

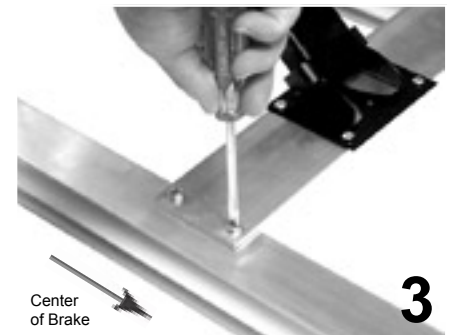
## Installing Optional Leg Kit



Using the sheet metal screws provided, attach mounting plates to leg strut flanges as shown. Turn brake over and rest each leg assembly onto base rails with the mounting plates extending toward center of brake.



Locate holes in bottom of base rails toward each end of the brake and align with holes in U clamp. Position leg tube ends within clamps and tighten using slotted hex screws provided.



After ensuring the channel of the leg strut is facing downward, align the holes in the mounting plate with those in the base rails. Insert the remaining slotted hex screws through holes until snug. Repeat step with opposite leg assembly. Legs should now extend straight up from rails (after locking struts).

# 6

## Installing Optional Wheel Kit

Caution: Always wear safety goggles when installing this wheel kit.

Tools Needed: Clamp, Pencil, Electric Drill, Phillips Screwdriver, Safety Goggles.



Turn brake over and line up wheel bracket with corner of base rail. Clamp in place and use pencil to mark holes.



After repeating step 1 on opposite base rail, use bit in parts bag to drill all four holes. Use center punch if needed.



Install screws through both brackets and into each corresponding base rail using a Phillips type screwdriver.



Insert axle through flat side of wheel hub. Next, insert axle through both bracket holes.



With the convex portion of hub facing bracket, slide second wheel onto the protruding axle shaft.



Insert washer onto axle until hole is clearly visible. Insert cotter pin through hole and spread apart.

## Care and Maintenance

The Mark I® Series brake is virtually maintenance free and is designed to give years of trouble free service. In this section, we will give tips on keeping the brake in top working order. As seen on page 7, the exploded view will help in identifying and replacing parts as needed. Additional help can be obtained by contacting a Van Mark service technician.

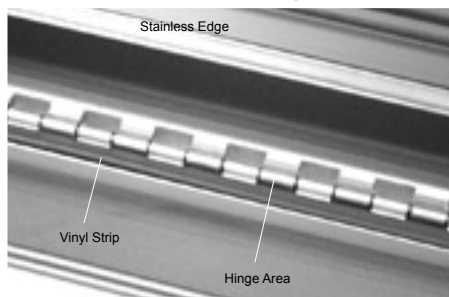
### Daily



### Inspect Clamping surface

Check clamping surfaces before, during and after use to ensure surfaces are free of debris (saw particles, dirt, etc.). Use a clean cloth to wipe surfaces when dirty.

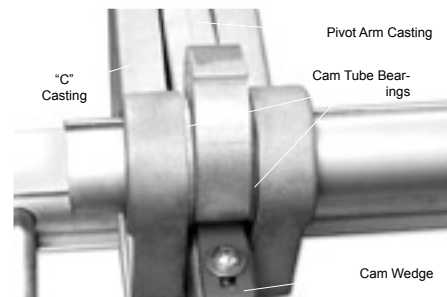
### Monthly



### Inspect Vinyl Strip/Hinge

In normal use, inspect the vinyl strip and hinge area at least once a month. Excessive wear to either will degrade bending performance. Replace as needed.

### Yearly

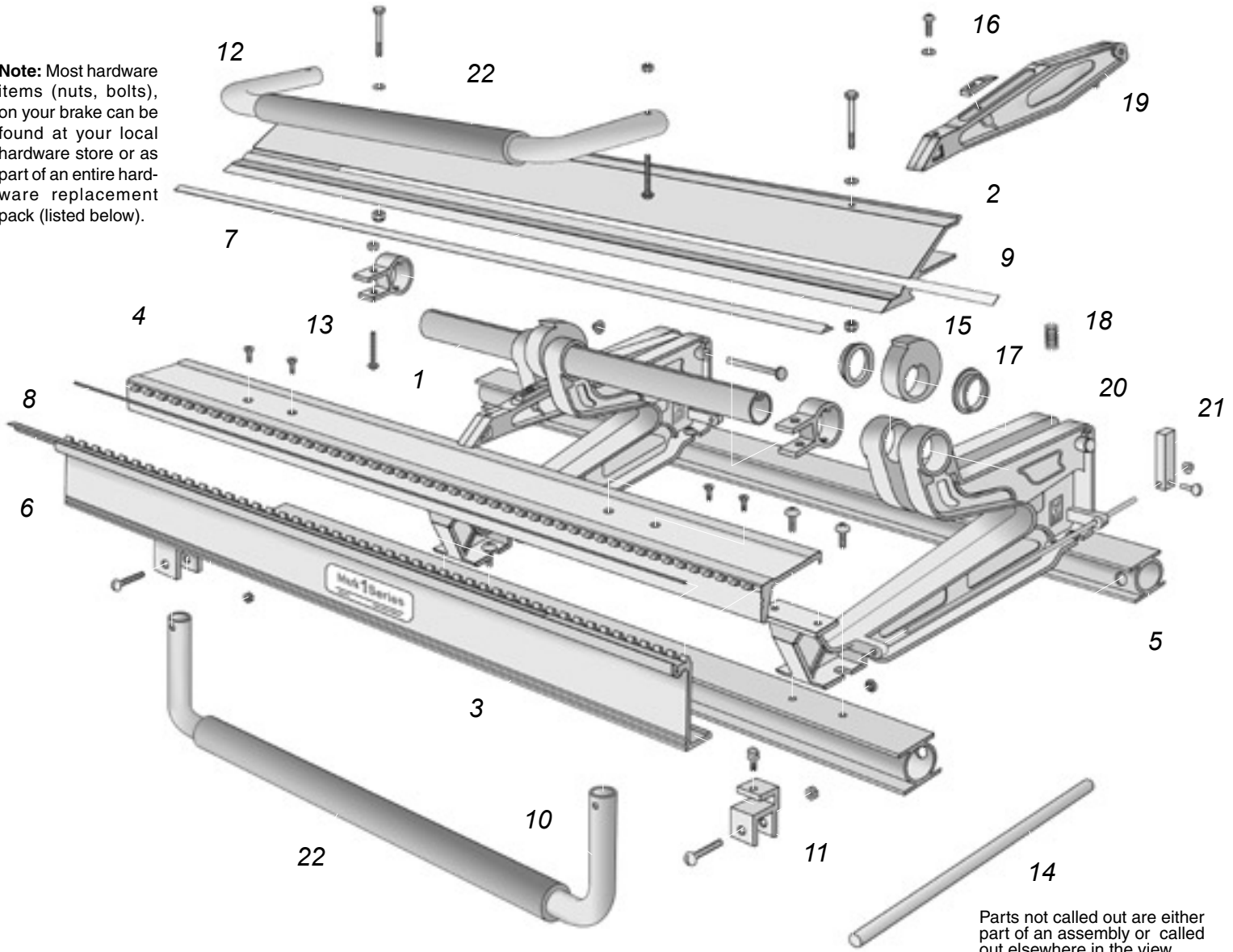


### Inspect Castings/Bearings

Unless brake is used heavily, inspect and replaced worn cam tube bearings, cam wedge pads and stainless strip (see monthly), once a year, otherwise check periodically.

# Parts List

**Note:** Most hardware items (nuts, bolts), on your brake can be found at your local hardware store or as part of an entire hardware replacement pack (listed below).



Parts not called out are either part of an assembly or called out elsewhere in the view.

**Note:** You must specify either 50 Series brake (silver F bar), or 60 Series brake (red F bar), when ordering parts.

|                             |          |  | 8'6" | 10'6" | 12'6" |
|-----------------------------|----------|--|------|-------|-------|
| Mark I® Contractor Model No |          |  | M860 | M1060 | M1260 |
| Mark I® Commercial Model No |          |  | M861 | M1061 | M1261 |
| 1. Cam Tube*                | (1) Both |  | 4403 | 4404  | 4405  |
| 2. F Bar*                   | (1) Cntr |  | 3950 | 3952  | 3954  |
| F Bar*                      | (1) Com  |  | 3951 | 3953  | 3955  |
| 3. Hinge w/Strip*           | (1) Both |  | 3961 | 3962  | 3963  |
| 4. Hinge, Rear*             | (1) Cntr |  | 4425 | 4427  | 4429  |
| Hinge, Rear*                | (1) Com  |  | 4426 | 4428  | 4430  |
| 5. Rail, Base*              | (1) Cntr |  | 4437 | 4439  | 4441  |
| Rail, Base*                 | (1) Com  |  | 4438 | 4440  | 4442  |
| 6. Vinyl Strip*             | (2) Both |  | 3633 | 3633  | 3633  |
| 7. Stain. Edge*             | (1) Both |  | 4771 | 4772  | 4772  |
| 8. Hinge Pin                | (1) Both |  | 4062 | 4063  | 4064  |
| 9. Tape Rule                | (1) Both |  | 4765 | 4765  | 4765  |

## Common Parts, All Models

| Ref | Description                | Quantity | Part No |
|-----|----------------------------|----------|---------|
| 10. | Handle, Bending w/Brackets | (1)      | 3969    |
| 11. | Brackets, Bending Handle   | (2)      | 3579    |
| 12. | Handle, Locking w/Brackets | (2)      | 3970    |
| 13. | Brackets, Locking Handle   | (2)      | 3931    |
| 14. | Handle, Carrying*          | (2)      | 3968    |
| 15. | Cam, Locking               | (1)      | 4801    |
| 16. | Pads, Wedge UHMW           | (7)      | 3900    |
| 17. | Bearing, Cam Tube UHMW     | (2)      | 3901    |
| 18. | Spring, Pivot Arm          | (4)      | 3902    |
| 19. | Casting, Pivot Arm*        | (1)      | 4462    |
| 20. | Casting, Base "C" Clamp*   | (1)      | 4461    |
| 21. | Material Stop Assembly*    | (2)      | 3965    |
| 22. | Grip, Bend/Lock Handle     | (1)      | 4464    |

## Misc.

|  |
|--|
| Contractor Model No 3966<br>Commercial Model No 3967 |
| Fits Both Model Brakes No 3002                       |
| Fits Both Model Brakes No 3004                       |
| Fits either model No. 3934                           |

Call for assistance when ordering parts for 14'6" brakes.

# Work Smarter.....



Patent No  
6,755,067

**QuickScore™**

Score materials down to workable blanks fast with QuickScore™ precision sheet scoring tool. After making score, simply bend down, then back up. The blank virtually jumps into your hands (right where you need it the most). Get a QuickScore™ for a perfect score.

## Additional Van Mark Products.....



**TrimCutter™**

Slit materials right on your Mark Series brake with this new tool. TrimCutter™ uses a 4-point track bearing system for sure footed brake slitting resulting in clean burr-free factory edges every time.



**Trim-A-Table™**

Saw Not  
Included

Cut all your angles accurately with the most versatile portable saw table in the industry. Whether cutting vinyl, laminates or sheet, Trim-A-Table™ is your best angle.



Patent No's.  
6,000,268  
6,233,995

**TrimFormer™**

Add pizzazz, style, and curb appeal to all your trimwork using TrimFormer™ portable roll forming tool. This patented tool comes complete with 2 sets of quick change dies, including instruction booklet and die change tool.

## .....Not Harder!



**UniStand™**

Patent No  
6,854,314

Finally, support for your Van Mark brakes, saw tables and slitters. UniStand™ sets up quickly and is perfect for mounting in cube vans and trailers.

Take control of coil scrap and waste with this new tool. Use with any brake.



**Coil Dispenser™**

Van Mark Products Corporation  
World Headquarters Farmington Hills, MI

**Van Mark**  
"Products Engineered to Bring Out the Best in Your Work"

24145 Industrial Park Dr., Farmington Hills, MI 48335

•Toll Free No. 1-800-Van Mark

•Toll Free Fax 1-888-Van Mark

•Phone No. 1-248-478-1200

•Area Fax No. 1-248-478-1226

Web site: [www.van-mark.com](http://www.van-mark.com) E-Mail: [sales@van-mark.com](mailto:sales@van-mark.com)