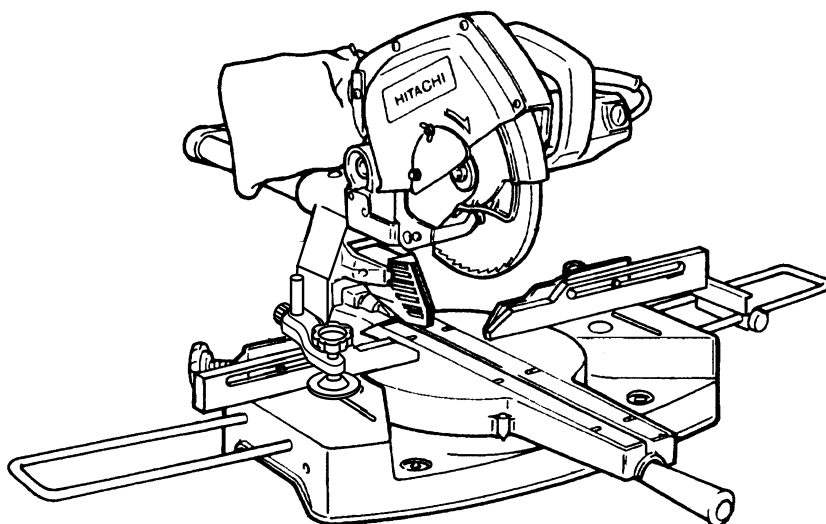


HITACHI

Model
Modèle
Modelo

C 8FB2

Slide Compound Saw
Scie a coupe d'onglet radiale
Tronzadora radial abatible



INSTRUCTION MANUAL AND SAFETY INSTRUCTIONS

⚠ WARNING

Improper and unsafe use of this power tool can result in death or serious bodily injury! This manual contains important information about product safety. Please read and understand this manual before operating the power tool. Please keep this manual available for others before they use the power tool.

MODE D'EMPLOI ET INSTRUCTIONS DE SECURITE

⚠ AVERTISSEMENT

Une utilisation incorrecte et dangereuse de cet outil motorisé peut entraîner la mort ou de sérieuses blessures corporelles!
Ce mode d'emploi contient d'importantes informations à propos de la sécurité de ce produit. Prière de lire et d'assimiler ce mode d'emploi avant d'utiliser l'outil motorisé. Garder ce mode d'emploi à la disponibilité des autres utilisateurs avant qu'ils utilisent l'outil motorisé.

MANUAL DE INSTRUCCIONES E INSTRUCCIONES DE SEGURIDAD

⚠ ADVERTENCIA

¡La utilización inapropiada e insegura de esta herramienta eléctrica puede resultar en lesiones serias o en la muerte!
Este manual contiene información importante sobre la seguridad del producto. Lea y comprenda este manual antes de utilizar la herramienta eléctrica. Guarde este manual para que puedan leerlo otras personas antes de que utilicen la herramienta eléctrica.



DOUBLE INSULATION
DOUBLE ISOLATION
AISLAMIENTO DOBLE

Hitachi Koki

CONTENTS

English	Page		Page
IMPORTANT INFORMATION	3	OPTIONAL ACCESSORIES	10
MEANINGS OF SIGNAL WORDS	3	APPLICATIONS	10
SAFETY		PREPARATION BEFORE OPERATION	10
IMPORTANT SAFETY INSTRUCTIONS		BEFORE USING	11
FOR USING ALL POWER TOOLS	3	BEFORE CUTTING	12
REPLACEMENT PARTS	6	PRACTICAL APPLICATIONS	14
USE PROPER EXTENSION CORD	6	SAW BLADE MOUNTING	
DOUBLE INSULATION FOR		AND DISMOUNTING	21
SAFER OPERATION	7	MAINTENANCE AND INSPECTION	22
OPERATION AND MAINTENANCE		SERVICE AND REPAIRS	24
NAME OF PARTS	8	PARTS LIST	69
SPECIFICATIONS	9		
ACCESSORIES	9		
STANDARD ACCESSORIES	9		

TABLE DES MATIERES

Français	Page		Page
INFORMATIONS IMPORTANTES	25	ACCESSOIRES	31
SIGNIFICATION DES MOTS D'AVERTISSEMENT	25	ACCESSOIRES STANDARD	31
SECURITE		ACCESSOIRES EN OPTION	32
CONSIGNES DE SÉCURITÉ RELATIVES AUX		APPLICATIONS	32
OUTILS ÉLECTRIQUES	25	PRÉPARATION AVANT L'UTILISATION	32
PIECES DE RECHANGE	29	AVANT L'UTILISATION	33
UTILISER LE CORDON DE RALLONGE		AVANT LA COUPE	34
APPROPRIÉ	29	APPLICATIONS PRATIQUES	36
DOUBLE ISOLATION POUR UN		INSTALLATION ET RETRAIT DE LA LAME	43
FONCTIONNEMENT PLUS SUR	29	ENTRETIEN ET INSPECTION	44
UTILISATION ET ENTRETIEN		SERVICE APRÈS-VENTE ET RÉPARATIONS	46
NOM DES PIÈCES	30		
SPÉCIFICATIONS	31		

ÍNDICE

Español	Página		Página
INFORMACIÓN IMPORTANTE	47	ACCESORIOS	53
SIGNIFICADO DE LAS PALABRAS CLAVE	47	ACCESORIOS ESTÁNDAR	53
SEGURIDAD		ACCESORIOS OPCIONALES	54
NORMAS DE SEGURIDAD PARA LAS		APLICACIONES	54
HERRAMIENTAS ELÉCTRICAS	47	PREPARATIVOS PREVIOS A LA OPERACIÓN	54
PIEZAS DE REEMPLAZO	51	ANTES DE LA UTILIZACIÓN	55
UTILICE EL CABLE PROLONGADOR		ANTES DEL CORTE	56
ADECUADO	51	APLICACIONES PRÁCTICAS	58
AISLAMIENTO DOBLE PARA OFRECER UNA		MONTAJE Y DESMONTAJE DE LA HOJA DE	
OPERACIÓN MÁS SEGURA	51	SIERRA	65
OPERACIÓN Y MANTENIMIENTO		MANTENIMIENTO E INSPECCIÓN	66
NOMENCLATURA DE PARTES	52	SERVICIO Y REPARACIONES	68
ESPECIFICACIONES	53		

IMPORTANT INFORMATION

Read and understand all of the operating instructions, safety precautions and warnings in the Manual before operating or maintaining this power tool.

Most accidents that result from tool operation and maintenance are caused by the failure to observe basic safety rules or precautions. An accident can often be avoided by recognizing a potentially hazardous situation before it occurs and by observing appropriate safety procedures.

Basic safety precautions are outlined in the SAFETY section of this manual and in the sections which contain the operation and maintenance instructions.

Hazards that must be avoided to prevent bodily injury or machine damage are identified by WARNINGS on the tool and in this Manual.

Never use this tool in a manner that has not been specifically recommended by HITACHI, unless you first confirm that the planned use will be safe for you and others.

MEANINGS OF SIGNAL WORDS

⚠ WARNING: indicates a potentially hazardous situation which, if ignored, could result in serious personal injury.

⚠ CAUTION: indicates a hazardous situation which, if ignored, could result in a moderate personal injury, or could cause machine damage.

NOTE emphasizes essential information.

SAFETY

IMPORTANT SAFETY INSTRUCTIONS FOR USING ALL POWER TOOLS

READ ALL OF THE WARNINGS AND OPERATING INSTRUCTIONS IN THIS MANUAL BEFORE OPERATING OR MAINTAINING THIS TOOL:

⚠ WARNING: When using this electric tool, take all necessary precautions to minimize the risk of electric shock or other personal injury.
In particular, always comply with the following safety rules:

- 1. ALWAYS KEEP GUARDS IN PLACE** and in working order.
- 2. ALWAYS REMOVE ADJUSTING KEYS AND WRENCHES BEFORE STARTING TOOL.**
Always confirm that all keys and adjusting wrenches have been removed from the tool before it is turned on.
- 3. ALWAYS KEEP WORK AREA CLEAN.** Avoid injuries by not cluttering the work areas and work benches.
- 4. NEVER USE TOOL IN HAZARDOUS ENVIRONMENTS.** Never use the power tool in damp or wet places and never expose it to rain. Always keep the work area well lighted.
- 5. NEVER PERMIT CHILDREN OR OTHERS TO LOITER NEAR THE WORK AREA.** Keep all people (especially children) away from the work area. Always unplug unattended tools and keep the work place tamper-proof by installing locks on the doors and on the master switches. Always remove the lock-off button from the tool and store it in a secure place, when the tool is not in use.
- 6. NEVER FORCE THE TOOL.** It will do the job better and more safely if it is operated at the rate for which it was designed.
- 7. ALWAYS USE THE RIGHT TOOLS.** Never force a tool or an attachment to do a job for which it was not designed.
- 8. ALWAYS WEAR PROPER APPAREL WHEN WORKING WITH THE TOOL.** Never wear loose clothing, gloves, neckties, rings, bracelets or other jewelry which may get caught in the moving parts. Always wear non-slip footwear, preferably with steel toes. Wear protective hair covering to contain long hair.
- 9. ALWAYS USE EYE PROTECTION WHEN WORKING WITH THE TOOL TO PREVENT EYE INJURY.** Ordinary eyeglasses do not provide adequate protection because the lenses are not made of safety glass. Also, use a face mask for additional safety and wear a dust mask if the cutting operation produces dust.

10. **ALWAYS SECURE THE WORKPIECE TO THE FENCE OR THE TABLE.** Use clamps or a vise to hold the workpiece in place. It is safer than using your hand and it frees both hands to operate the tool.
11. **NEVER OVERREACH.** Always keep proper footing and balance when working with the tool.
12. **ALWAYS MAINTAIN TOOLS WITH CARE.** Always keep tools sharp and clean for the best and safest performance. Always follow instructions for lubricating the tool and for changing accessories.
13. **ALWAYS DISCONNECT THE TOOL** before servicing and before changing blades or other accessories.
14. **NEVER RISK UNINTENTIONAL STARTING WHEN PLUGGING IN THE TOOL.** Always confirm that the switch is in the OFF position before inserting the power plug into the receptacle.
15. **ALWAYS USE RECOMMENDED ACCESSORIES ONLY WHEN OPERATING THIS TOOL.** Consult this instruction manual for descriptions of recommended accessories. To avoid personal injuries, use only recommended accessories in conjunction with this tool.
16. **NEVER STAND ON THE TOOL.** Prevent serious injury by not tipping the tool and by not risking unintentional contact with the saw blade.
17. **ALWAYS CHECK FOR DAMAGED PARTS BEFORE USING THE TOOL.** Always check the guard and all other components for damage before using the tool to assure that they will function properly. Check all moving parts for proper alignment, freedom from binding and other conditions that might affect proper operation. Always repair or replace any damaged guards or other damaged components before using the tool.
18. **ALWAYS CONFIRM THE ROTATION DIRECTION OF THE BLADE BEFORE USING THE TOOL.** Always feed work into the tool against the rotation direction of the blade in order to prevent possible injury.
19. **NEVER LEAVE THE TOOL RUNNING WHILE UNATTENDED. TURN POWER OFF.** Do not leave tool until it comes to a complete stop. Always turn the power off when the tool is not in use. Always unplug the power cord when the tool is not in use.
20. This tool was not designed to be used for mass-production applications and should not be used in mass-production environments.
21. When servicing this tool, use only authorized replacement parts.
22. Apply 115 volts AC only to this tool. Applying the wrong voltage or applying DC power can cause the POWER TOOL to operate improperly and cause serious personal injury or damage to the tool.
23. Never raise the saw blade from the workpiece until it has first come to a complete stop.
24. Always use outboard stands to provide support for long workpieces that overhang the table of the slide compound saw.
25. Always return the carriage to the full rear position after each crosscut operation in order to reduce the risk of injury.
26. **POLARIZED PLUGS** To reduce the risk of electric shock, this equipment has a polarized plug (one blade is wider than the other). This plug will fit in a polarized outlet only one way. If the plug does not fit fully in the outlet, reverse the plug. If it still does not fit, contact a qualified electrician to install the proper outlet. Do not change the plug in any way.

Specific Safety Rules for Use of this Power Tool

⚠ WARNING: The following specific operating instructions must be observed when using this POWER TOOL in order to avoid injury:

DO's

ALWAYS OBSERVE THE FOLLOWING RULES TO ASSURE SAFE USE OF THIS TOOL:

1. Review this Manual and familiarize yourself with the safety rules and operating instructions for this POWER TOOL before attempting to use it.
2. Always confirm that the POWER TOOL is clean before using it.
3. Always wear snug-fitting clothing, non-skid footwear (preferably with steel toes) and eye protection when operating the POWER TOOL.
4. Always handle the POWER TOOL carefully. If the POWER TOOL falls or strikes against a hard object, it might become deformed or cracked or sustain other damage.
5. Always cease operating the saw at once, if you notice any abnormality whatsoever.

6. Always confirm that all components are mounted properly and securely before using the tool.
7. When replacing the saw blade, always confirm that the rpm rating of the new blade is correct for use on this tool.
8. Always shut off the power and wait for the saw blade to completely stop rotating before doing any maintenance or adjustments.
9. During slide cutting, always push the saw blade away from the operator.
10. Always clamp or otherwise secure the workpiece to the fence; otherwise the workpiece might be thrust from the table and cause bodily harm.
11. During miter or bevel cutting, always wait for the rotation of the blade to stop completely before lifting the saw blade.
12. Always make a trial run first before attempting any new use of the saw.
13. Always handle the saw blade with care when dismounting and mounting it.
14. Always confirm that the workpiece is free of nails or other foreign objects before beginning a cut.
15. Always keep your hands out of the path of the saw blade.
16. Always confirm that the safety cover is in the proper place before using the saw.
17. Always confirm that the safety cover does not obstruct the sliding motion of the saw before attempting slide cutting.
18. Inspect the tool power cords periodically.
19. Always confirm that the proper lengths and types of extension cords are being utilized, if necessary, before starting the tool.
20. Always confirm that the motor air vents are fully open before using the tool.
21. Always wait until the motor has reached full speed before starting a cut.
22. Always keep the handles dry, clean and free of oil and grease. Hold the tool firmly when in use.
23. Always use outboard stands to provide support for long workpieces that overhang the table of the slide compound saw.
24. Always operate the tool after ensuring the workpiece is fixed properly with a vise assembly.
25. Always use slide fence (A) and slide fence (B) if a workpiece is too small to be fixed with fence (A) and fence (B) of the base.
26. The operating instructions provided with the tool shall direct the user to secure the tool to supporting structure if, during normal operation, there is a tendency for the tool to tip over, slide, or walk on the supporting surface.

DON'Ts

NEVER VIOLATE THE FOLLOWING RULES TO ASSURE SAFE USE OF THIS TOOL:

1. Never operate the POWER TOOL unless you fully understand the operating instructions contained in this Manual.
2. Never leave the POWER TOOL unattended without first unplugging the power cord.
3. Never operate the POWER TOOL when you are tired, after you have taken any medications, or have consumed any alcoholic beverages.
4. Never use the POWER TOOL for applications not specified in the instruction manual.
5. Never operate the tool while wearing loose clothing, a necktie or jewelry, or while your hair is uncovered, to protect against getting caught in the moving machinery.
6. Never reach around the saw blade.
7. Never touch any moving parts, including the blade, while the saw is in use.
8. Never remove any safety devices or blade guards; use of the tool without them would be hazardous.
9. Never lock the safety cover; always confirm that it slides smoothly before using the tool.
10. Never damage the power cord of the tool.
11. Never attempt to move a plugged-in POWER TOOL while your finger is on the starting switch.
12. Never use the POWER TOOL if the starting switch does not turn on and off properly.

13. Never use the POWER TOOL if the plastic housing or the handle is cracked or deformed.
14. Never use the POWER TOOL near flammable liquids or gases because sparking can cause an explosion.
15. Never clean plastic components with solvents because the plastic may dissolve.
16. Never operate the saw unless all the blade guards are in place.
17. Never raise the saw blade from the workpiece until it has first come to a complete stop.
18. When slide cutting, never pull the handle toward the operator, since this could cause the saw blade to kick up from the workpiece. Always push the handle away from the operator in a single, smooth motion.
19. Never place your limbs inside of the line next to warning sign "⚠" while the tool is being operated. This may cause hazardous conditions.
20. Never use abrasive type blades on this saw.
21. Never expose to rain or use in damp locations.
22. Never cut ferrous metals or masonry.

WARNING

FOR YOUR OWN SAFETY READ THIS INSTRUCTION MANUAL BEFORE OPERATING THE SLIDE COMPOUND SAW

1. Always wear eye protection when using the slide compound saw.
2. Always keep hands out of the path of the saw blade.
3. Never operate the saw without the guards in place.
4. Never perform any freehand operation with the slide compound saw.
5. Never reach around the saw blade.
6. Always turn off tool and wait for saw blade to stop before moving workpiece or changing settings.
7. Always disconnect power before changing blade or servicing.
8. Saw blade diameter is 8-1/2" (216mm).
9. No load speed is 4900rpm.
10. To reduce the risk of injury, return carriage to the full rear position after each crosscut operation.

REPLACEMENT PARTS

When servicing use only identical replacement parts.
Repairs should be conducted only by a Hitachi authorized service center.

USE PROPER EXTENSION CORD

Make sure your extension cord is in good condition. When using an extension cord, be sure to use one heavy enough to carry the current your product will draw. An undersized cord will cause a drop in line voltage resulting in loss of power and overheating. Table shows the correct size to use depending on cord length and nameplate ampere rating. If in doubt, use the next heavier gage. The smaller the gage number, the heavier the cord.

MINIMUM GAGE FOR CORD SETS

		Total Length of Cord in Feet (Meter)			
		0 – 25 (0 – 7.6)	26 – 50 (7.9 – 15.2)	51 – 100 (15.5 – 30.5)	101 – 150 (30.8 – 45.7)
Ampere More Than	Rating Not More Than	AWG			
	0 – 6	18	16	16	14
	6 – 10	18	16	14	12
	10 – 12	16	16	14	12
	12 – 16	14	12	Not Recommended	

⚠ WARNING: Avoid electrical shock hazard. Never use this tool with a damaged or frayed electrical cord or extension cord.
Inspect all electrical cords regularly. Never use in or near water or in any environment where electric shock is possible.

DOUBLE INSULATION FOR SAFER OPERATION

To ensure safer operation of this power tool, HITACHI has adopted a double insulation design. "Double insulation" means that two physically separated insulation systems have been used to insulate the electrically conductive materials connected to the power supply from the outer frame handled by the operator. Therefore, either the symbol "⊞" or the words and "Double insulation" appear on the power tool or on the nameplate. Although this system has no external grounding, you must still follow the normal electrical safety precautions given in this Instruction Manual, including not using the power tool in wet environments.

To keep the double insulation system effective, follow these precautions:

- * Only HITACHI AUTHORIZED SERVICE CENTER should disassemble or assemble this power tool, and only genuine HITACHI replacement parts should be installed.
- * Clean the exterior of the power tool only with a soft cloth moistened with soapy water and dry thoroughly.
- * Never use solvents, gasoline or thinners on plastic components; otherwise the plastic may dissolve.

**SAVE THESE INSTRUCTIONS
AND
MAKE THEM AVAILABLE TO
OTHER USERS OF THIS TOOL!**

OPERATION AND MAINTENANCE

NOTE: The information contained in this Instruction Manual is designed to assist you in the safe operation and maintenance of the power tool. Some illustrations in this Instruction Manual may show details or attachments that differ from those on your own power tool.

NAME OF PARTS

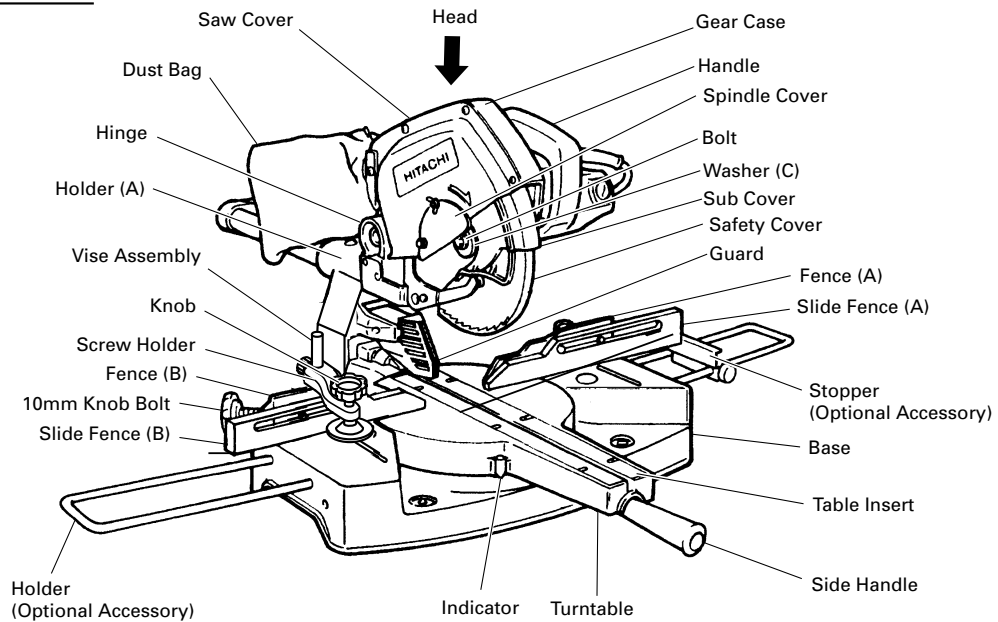


Fig. 1

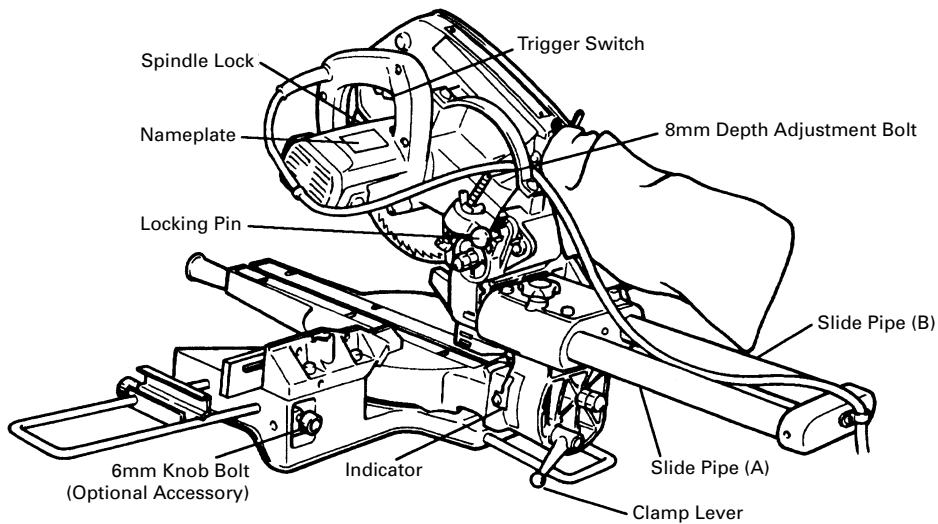


Fig. 2

SPECIFICATIONS

Item	Model	C 8FB2		
Motor	Type	Series commutator motor		
	Power source	Single-phase AC 60Hz		
	Voltage (Volts)	115		
	Full-load current (Amp)	9.5		
Applicable saw blade	Outside Dia. 8-1/2" (216mm) Hole Dia. 5/8" (15.9mm)			
No load speed	4900rpm			
Max. sawing dimension	Bevel 0°	Miter 0°	Max. Height 2-9/16" (65mm) Max. Width 12" (305mm) *11-21/32" (296mm)	(Max. Height 2-15/16" (75mm) Max. Width 11" (280mm) *10-21/32" (271mm))
		Miter 45°	Max. Height 2-9/16" (65mm), Width 8-21/32" (220mm) *8-5/16" (211mm)	
	Bevel 45°	Miter 0°	Max. Height 1-25/32" (45mm), Width 12" (305mm) *11-21/32" (296mm)	
		Miter 45°	Max. Height 1-25/32" (45mm), Width 8-21/32" (220mm) *8-5/16" (211mm)	
Miter sawing range	Left 0° – 45° Right 0° – 57° (Bevel 45°; Left and Right 0° – 45°)			
Bevel sawing range	Left 0° – 45°			
Net weight	38.6lbs. (17.5kg)			
Cord	2 Conductor type cable 8ft. (2.5m)			

*When slide fence assembly is used.

ACCESSORIES

⚠ WARNING: Accessories for this power tool are mentioned in this Instruction Manual. The use of any other attachment or accessory can be dangerous and could cause injury or mechanical damage.

STANDARD ACCESSORIES

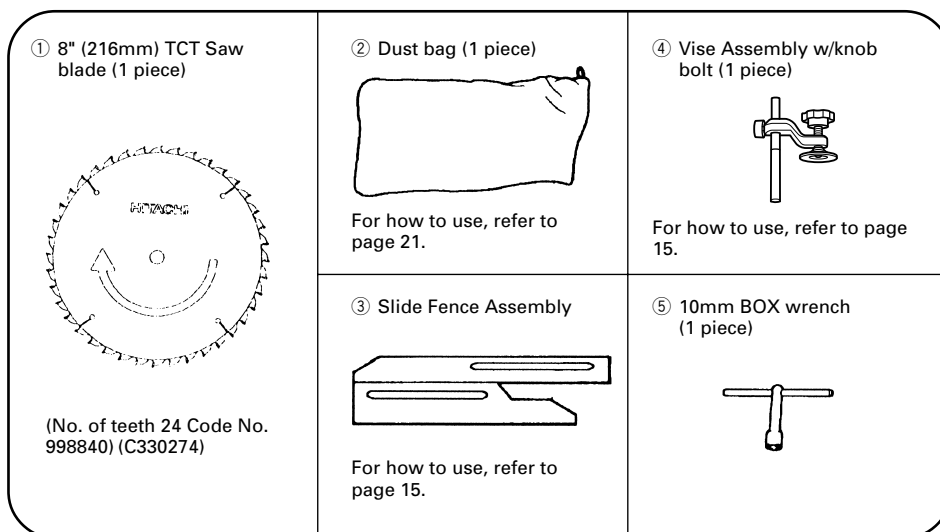


Fig. 3

OPTIONAL ACCESSORIES...sold separately

- ① Extension Holder and Stopper (Fig. 1) (Code No. 998866)
- ② Guard Assembly (A) (Adjustable) (Code No. 998984)
- ③ Saw blade 8-1/2" (216mm) TCT Saw blade (Total teeth: 36) (Code No. 998860)
- ④ Saw blade 8-1/2" (216mm) TCT Saw blade (Total teeth:60) (Code No.998862)
- ⑤ Saw blade 8-1/2" (216mm) TCT Saw Blade for aluminum (Total teeth: 60) (Code No.998864)

NOTE: Accessories are subject to change without any obligation on the part of the HITACHI.

APPLICATIONS

Wood and aluminum sash.

PREPARATION BEFORE OPERATION

Make the following preparations before operating the power tool:

1. Installation

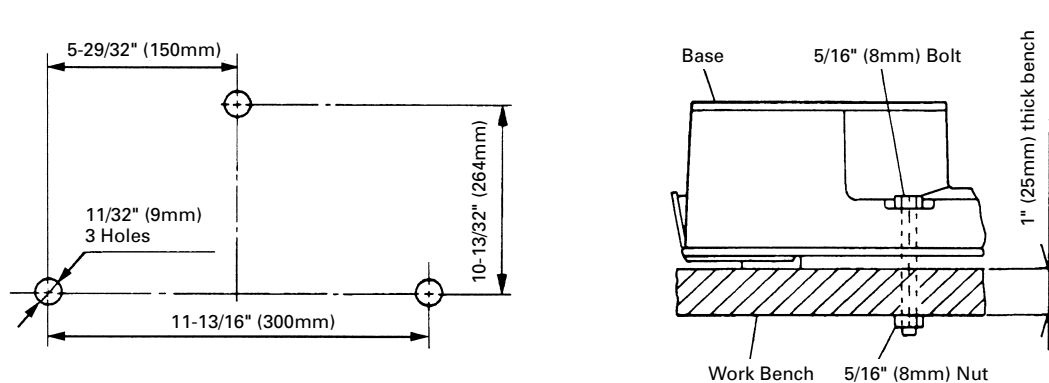


Fig. 4

Attach the power tool to a level, horizontal work bench in accordance with Fig. 4. Select 5/16" (8mm) diameter bolts suitable in length for the thickness of the work bench. Bolt length should be at least 1" (25mm) plus the thickness of the work bench. For example, use 2" (50mm) or larger bolts for a 1" (25mm) thick work bench. The holder attached to the rear of the base helps stabilize the power tool.

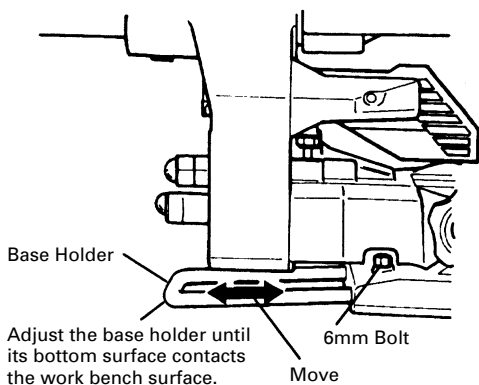


Fig. 5

Base holder adjustment:

Loosen the 6mm bolt with the supplied 10mm box wrench. Adjust the base holder until its bottom surface contacts the work bench surface. After adjustment, firmly tighten the 6mm bolt.

2. Releasing the locking pin

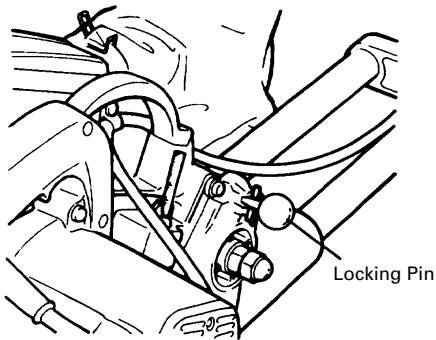


Fig. 6-a

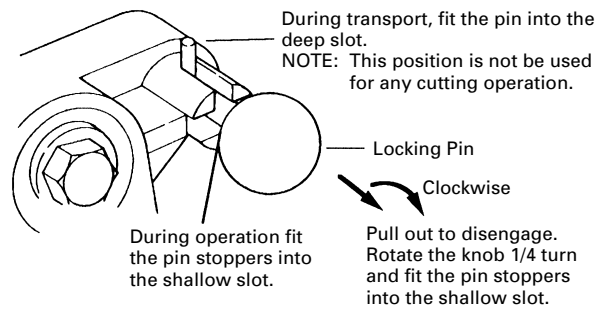


Fig. 6-b

When the power tool is prepared for shipping, its main parts are secured by a locking pin. Move the handle (see Fig. 1) slightly so that the locking pin can be disengaged and adjusted as indicated in Fig. 6-b.

NOTE: Lowering the handle (see Fig. 1) slightly will enable you to disengage the locking pin more easily and safely.
The lock position of the locking pin is for carrying and storage only.

3. Installing the dust bag, holder, stopper and vises.

(The holder and stopper are optional accessories).

Attach the dust bag, holder, stopper and vise assembly, slide fence (A) and slide fence (B) as indicated in Fig. 1.

BEFORE USING

1. Make sure the power source is appropriate for the tool.

⚠ WARNING: Never connect the power tool unless the available AC power source is of the same voltage as that specified on the nameplate of the tool.
Never connect this power tool to a DC power source.

2. Make sure the trigger switch is turned OFF.

⚠ WARNING: If the power cord is connected to the power source with the trigger switch turned ON the power tool will start suddenly and can cause a serious accident.

3. Check the saw blade for visible defects.

Confirm that the saw blade is free of cracks or other visible damage.

4. Confirm that the saw blade is attached securely to the power tool.

Using the supplied 10mm box wrench, tighten the bolt on the saw blade spindle to secure the saw blade. For details, see Fig. 37-a and Fig. 37-b in the section on "SAW BLADE MOUNTING AND DISMOUNTING".

5. Check the safety cover for proper operation.

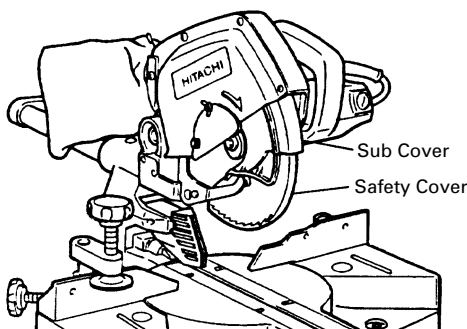


Fig. 7

Safety cover is designed to protect the operator from coming into contact with the saw blade during operation of the tool. Always check that the safety cover moves smoothly and covers the saw blade properly.

⚠ WARNING: NEVER OPERATE THE POWER TOOL if the safety cover does not function smoothly.

6. Confirm the position of the spindle lock before using the tool.
After installing the saw blade, confirm that the spindle lock has been returned to the retract position before using the power tool (see Fig. 2).
7. Check the lower limit position of the Saw Blade.
Although it was adjusted before shipment, carefully check the height of the saw blade. Confirm that the saw blade can be lowered $15/32$ " to $1/2$ " (12mm to 13mm) below the table insert. For details, see the section on "Checking the saw blade lower limit position".
8. Check the Power Receptacle.
To prevent overheating, accidental stopping or intermittent operation, confirm that the power cord plug fits properly in the electrical receptacle and does not fall out after it is inserted. Repair or replace the receptacle if it is faulty.
9. Confirm the tool's power cord is not damaged.
Repair or replace the power cord if an inspection indicates that it is damaged.

AFTER CONNECTING THE POWER PLUG TO AN APPROPRIATE AC POWER SOURCE, CHECK THE OPERATION OF THE TOOL AS FOLLOWS:

10. Trial Run
After confirming that no one is standing behind, the power tool start and confirm that no operating abnormalities exist before attempting a cutting operation.
11. Inspect the rotating stability of the saw blade.
For precise cutting, rotate the saw blade and check for deflection to confirm that the blade is not noticeably unstable; otherwise vibrations might occur and cause an accident.

BEFORE CUTTING

1. Cutting a groove on the guard

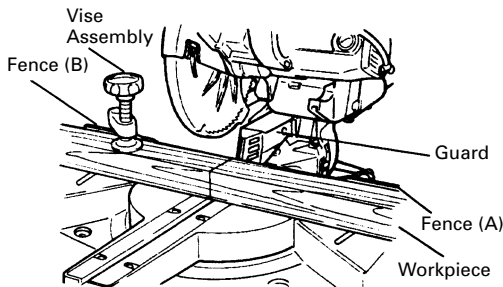
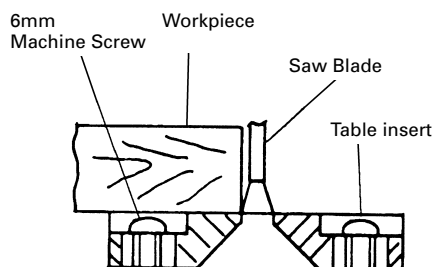


Fig. 8

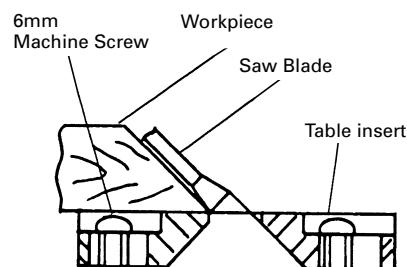
Holder (A) has a guard (see Fig. 8) into which a groove must be cut. After placing a suitable wooden piece to sit on the fence and the table surfaces, fix it with the vise assembly. After the switch has been turned on and the saw blade has reached maximum speed, slowly lower the handle to cut a groove on the guard.

⚠ CAUTION: Do not cut the groove too quickly; otherwise the guard might become damaged.

2. Positioning the table insert



[Right angle cutting]
Fig. 9-a



[Left bevel angle cutting]
Fig. 9-b

Adjust the table insert on the turntable until it is correctly aligned to the saw blade, as indicated below.

Table insert adjustment:

- (1) Loosen the three 6mm machine screws securing the right side table insert.
 - (2) Check that the table insert is positioned fully to the right, and temporarily tighten the back and front 6mm machine screws.
 - (3) Secure a piece of wood (about 7-7/8" (200mm) wide) to the turntable with the vise assembly.
 - (4) Cut the piece of wood at the desired angle.
 - (5) Align the right side table insert with the cutting line as indicated in Figs. 9-a and 9-b.
 - (6) Securely tighten the back and front 6mm machine screws.
 - (7) Remove the workpiece, and securely tighten the center 6mm machine screws.
- If the power tool is properly adjusted, cutting can be made accurate by aligning a premarked ink line with the table insert.

When the power tool is shipped from the factory, the right side table insert is put in a position where it will not contact the saw blade at a full 45° bevel cut.

Therefore, before operation, adjust the right side table insert to the desired cutting angle.

3. Checking the saw blade lower limit position

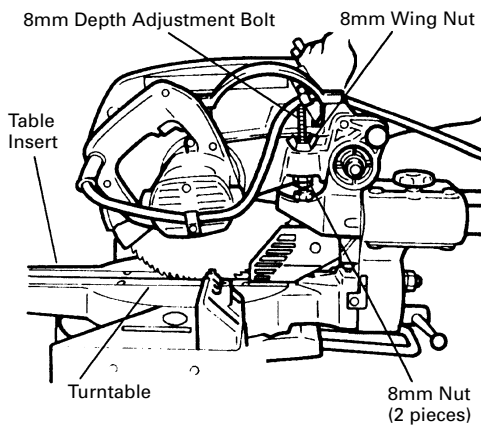


Fig. 10

Check that the saw blade can be lowered 15/32" to 1/2" (12mm to 13mm) below the table insert.

If necessary, adjust as follows:

- (1) Loosen the 8mm wing nut and the two 8mm nuts on the 8mm depth adjustment bolt.
- (2) Turn the 8mm depth adjustment bolt as necessary to set the lower limit position.
- (3) Once the adjustment is complete, fully tighten the two 8mm nuts and the 8mm wing nut.

NOTE: Before tightening the two 8mm nuts and the 8mm wing nut, confirm that the saw blade is adjusted so that it will not cut into the turntable.

4. Oblique angle

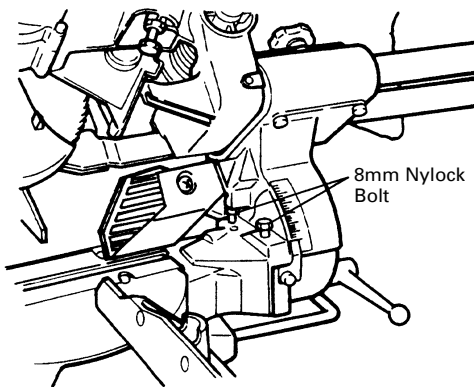


Fig. 11

Before the power tool is shipped from the factory, it is adjusted for 0° and left 45° bevel cutting angles.

The positioning and bevel cutting angle can be adjusted by loosening the 8mm nylock bolt and by changing the height of the 8mm nylock bolt.

(Maximum bevel cutting angle is 45°).

5. Securing the workpiece

⚠ WARNING: Always clamp or vise to secure the workpiece to the fence; otherwise the workpiece might be thrust from the table and cause bodily harm.

6. Installing the holders ... (Optional accessory)

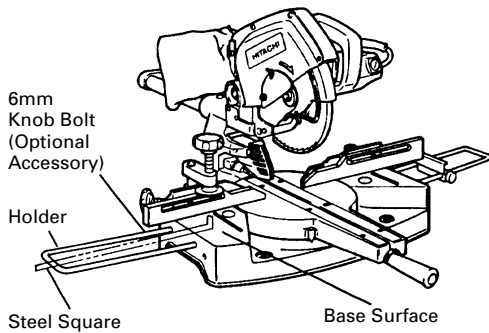


Fig. 12

The holders help keep longer workpieces stable and in place during the cutting operation.

- (1) As indicated in Fig. 12, use a steel square for aligning the upper edge of the holders with the base surface.
- (2) After aligning, secure the holders with the 6mm knob bolts (Optional accessory).

7. Stopper for precision cutting ... (Stopper is optional accessory)

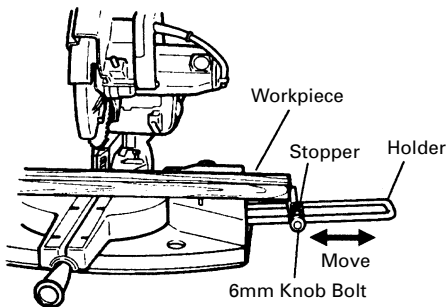


Fig. 13

The stopper facilitates continuous precision cutting in lengths of 10-7/16" to 16-15/16" (265mm to 430mm).

To install the stopper, attach it to the holder with the 6mm knob bolt as shown in Fig. 13.

8. Using an ink line

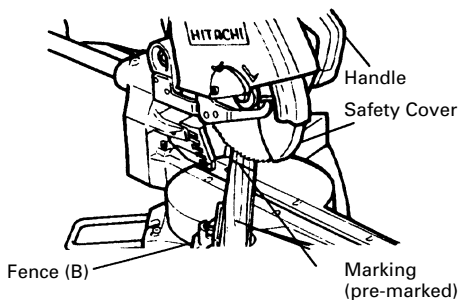


Fig. 14

Press down the handle to lift the safety cover as shown in Fig. 14, and align the premarked ink line with the saw blade.

⚠ CAUTION: Never lift the safety cover while the saw blade is rotating.

PRACTICAL APPLICATIONS

⚠ WARNING: * To avoid personal injury, never remove or place a workpiece on the table while the tool is being operated.

* Never place your limbs inside of the line next to warning sign while the tool is being operated. This may cause hazardous conditions (see Fig. 15).

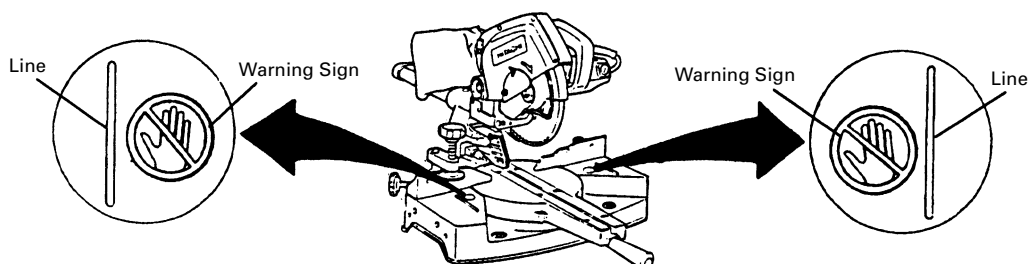


Fig. 15

1. Switch operation

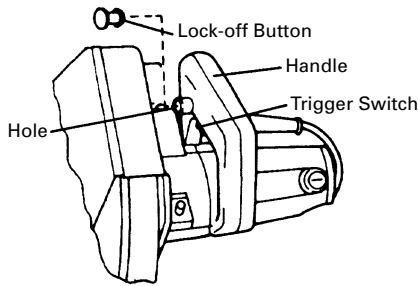


Fig. 16

The trigger switch lock-off button is designed to prevent inadvertent operation of the power tool. To operate the power tool, it is necessary to first fully insert the lock-off button into the hole on the handle as shown in Fig. 16.

The trigger switch will not operate unless the lock-off button has been pushed in.

When the trigger switch is released, the power goes off and the lock-off button automatically returns to its initial position, locking the trigger switch.

⚠ WARNING: Always remove the lock-off button from the handle when the power tool is not in use. This will ensure that the power tool cannot be turned on accidentally or by someone (especially a child) who is not qualified to use the power tool. If the lock-off button is left in the handle, serious personal injury can result. Since the lock-off button fits rather tightly, it may be necessary to turn it to the left and right during mounting and removing.

2. Using the Vise Assembly (Standard accessory)

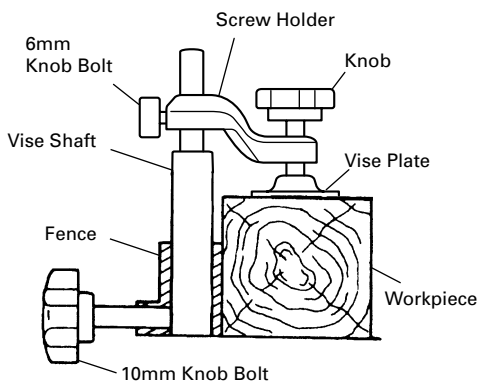


Fig. 17

(1) The vise assembly can be mounted on either the left fence {Fence (B)} or the right fence {Fence (A)} by loosening the 10mm knob bolt.

(2) The screw holder can be raised or lowered according to the height of the workpiece by loosening the 6mm knob bolt. After the adjustment, firmly tighten the 6mm knob bolt and fix the screw holder.

(3) Turn the upper knob and securely fix the workpiece in position (Fig. 17).

⚠ CAUTION: Always confirm that the motor head (see Fig. 1) does not contact the vise assembly when it is lowered for cutting. If there is any danger that it may do so, loosen the 10mm knob bolt slightly and move the vise to a position where it will not contact the saw blade. Also, always confirm that the vise assembly is mounted on the right side {Fence (A)} before using the saw for compound cutting operations (miter + bevel cutting).

3. Using the Slide Fence (A) and Slide Fence (B) (Standard accessory)

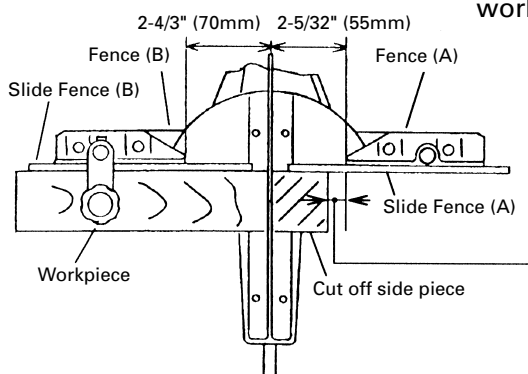


Fig. 18

Slide fence (A) and slide fence (B) are meant to stabilize small workpieces as shown in Fig. 18.

Clearance between fence (A) and fence (B) and the workpiece is necessary. The edge of workpiece should not overlap with fence (A) and fence (B).

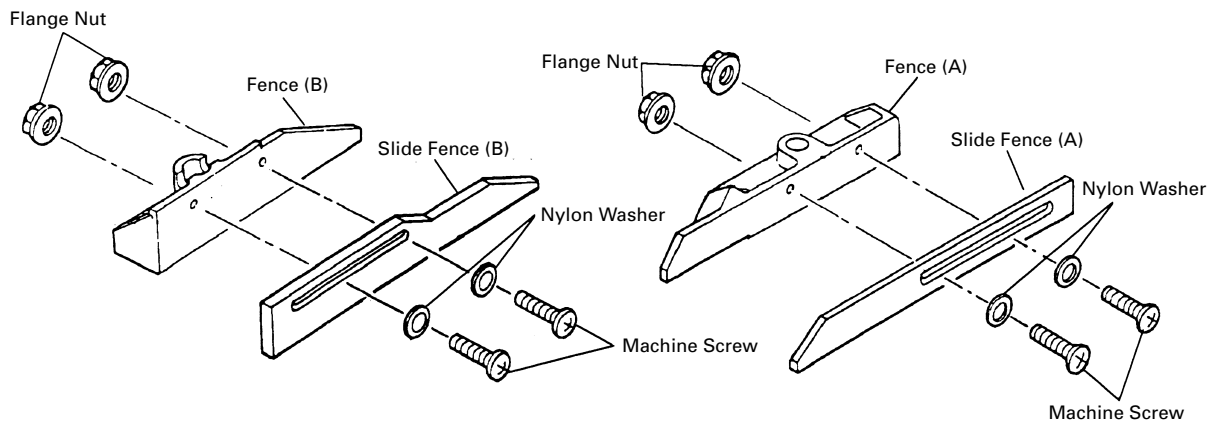


Fig. 19

- (1) Set slide fence (A) and slide fence (B) on fence (A) and fence (B) of the base.
- (2) To attach use the four machine screws with nylon washers and flange nuts as shown in Fig. 19.
- (3) Adjust slide fence (A) and slide fence (B) to stabilize the workpiece. Adjustable range of slide fence (A) and slide fence (B) is from 0 to 3-3/4" (0 to 95mm).
- (4) Confirm the position of slide fence (A) and slide fence (B) on fence (A) and fence (B) with four machine screws tightly so slide fence (A) and slide fence (B) do not move (see Fig. 19).

⚠ CAUTION: * Before operation, ensure that the saw blade does not contact slide fence (A) and slide fence (B). In case the saw blade contacts slide fence (A) and slide fence (B), adjust the position of slide fence (A) and slide fence (B) again.
 * Maximum cross-cutting width (Bevel 0°, Miter 0°) is 11-21/32" (296mm).

4. Cutting Operation

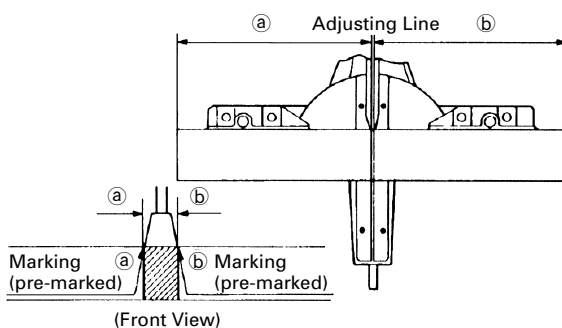


Fig. 20

- (1) As shown in Fig. 20 the width of the saw blade is the width of the cut. Therefore, slide the workpiece to the right (viewed from the operator's position) when length ⑥ is desired, or to the left when length ⑤ is desired.
- (2) Once the saw blade reaches maximum speed, push the handle down carefully until the saw blade approaches the workpiece.
- (3) Once the saw blade contacts the workpiece, push the handle down gradually to cut into the workpiece.
- (4) After cutting the workpiece to the desired depth, turn the power tool OFF and let the saw blade stop completely before raising the handle from the workpiece to return it to the full retract position.

⚠ CAUTION: * Increased pressure on the handle will not increase the cutting speed. On the contrary, too much pressure may result in overload of the motor and/or decreased cutting efficiency.

⚠ WARNING: * Confirm that the trigger switch is turned OFF and the power plug has been removed from the receptacle whenever the tool is not in use.
 * Always remove the lock-off button from the handle and store it in a secure place after completing the work.

5. Cutting narrow workpieces (Press cutting)

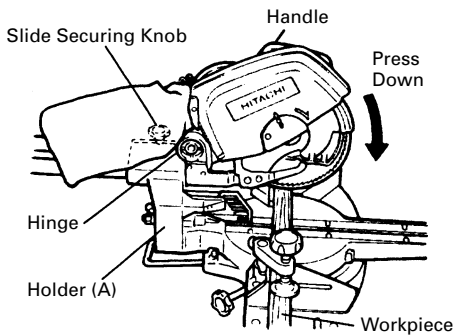


Fig. 21

Slide the hinge down to holder (A), then tighten the slide securing knob as indicated in Fig. 21.

Lower the handle to cut the workpiece.

Using the power tool this way will permit cutting of workpieces of up to 2-9/16" (65mm) square.

6. Cutting wide workpieces (Slide cutting)

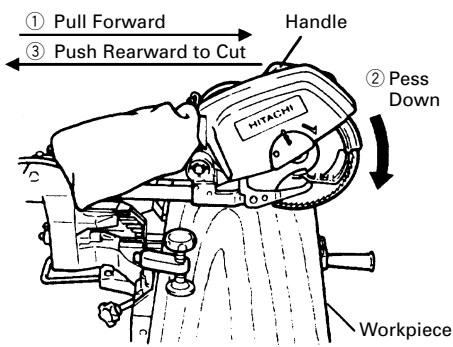


Fig. 22

(1) Workpieces up to 2-9/16" (65mm) high and 12" (305mm) wide: Loosen the slide securing knob, grip the handle and slide the saw blade forward.

Then press down on the handle and slide the saw blade back to cut the workpiece as indicated in Fig. 22. This facilitates cutting of workpieces of up to 2-9/16" (65mm) in height and 12" (305mm) in width.

(2) Workpieces up to 2-15/16" (75mm) high and 11" (280mm) wide: Workpieces of up to 2-15/16" (75mm) in height and up to 11" (280mm) in width can be cut in the same manner as described in paragraph 6-(1) above.

⚠ CAUTION: * If the handle is pressed down with excessive or lateral force, the saw blade may vibrate during the cutting operation and cause unwanted cutting marks on the workpiece, thus reducing the quality of the cut. Accordingly, press the handle down gently and carefully.

* In slide cutting, gently push the handle back (rearwards) in a single, smooth operation. Stopping the handle movement during the cut will cause unwanted cutting marks on the workpiece.

⚠ WARNING: * For slide cutting, follow the procedures indicated above in Fig. 22. Forward slide cutting (toward the operator) is very dangerous because the saw blade could kick upward from the workpiece. Therefore, always slide the handle away from the operator.

* Always return the carriage to the full rear position after each crosscut operation in order to reduce the risk of injury.

* Never put your hand on the side handle during the cutting operation because the saw blade comes close to the side handle when the motor head is lowered.

7. Bevel cutting procedures

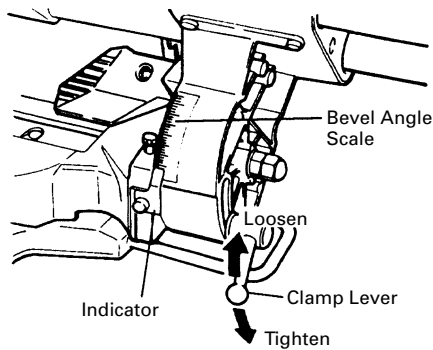


Fig. 23

- (1) Loosen the clamp lever and bevel the saw blade to the left.
- (2) Adjust the bevel angle to the desired setting while watching the bevel angle scale and indicator, then secure the clamp lever.
- (3) Follow the procedures indicated in paragraphs 5 and 6 above. For maximum dimensions for bevel cutting of up to 1-25/32" (45mm) in height and 12" (305mm) width.

⚠ WARNING: When the workpiece is secured on the left side of the blade, the short cut-off portion will come to rest on the right side of the saw blade. Always turn the power off and let the saw blade stop completely before raising the handle from the workpiece. If the handle is raised while the saw blade is still rotating, the cut-off piece may become jammed against the saw blade causing fragments to scatter about dangerously.

When stopping the bevel cutting operation halfway, start cutting after pulling back the motor head to the initial position.

Starting from halfway, without pulling back, causes the safety cover to be caught in the cutting groove of the workpiece and to contact the saw blade.

8. Miter cutting procedures

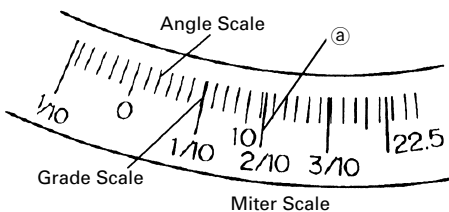


Fig. 24

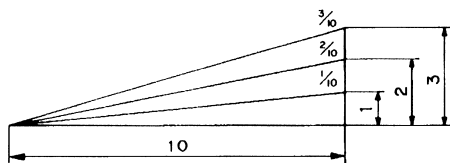


Fig. 25

- (1) Loosen the side handle and adjust the turntable until the indicator aligns with the desired setting on the miter scale (Fig. 26).
- (2) Re-tighten the side handle to secure the turntable in the desired position.
- (3) The miter scale (Fig. 24) indicates both the cutting angle on the angle scale and the gradient on the grade scale.
- (4) The gradient, which is the ratio of the height to the base of the triangular section to be removed, may be used for setting the miter scale instead of the cutting angle, if desired (see Fig. 25).
- (5) Therefore, to cut a workpiece at a grade of 2/10, set the indicator to position ② as indicated in Fig. 24.

NOTE: * Positive stops are provided at the right and left of the 0° center setting, at 15°, 22.5°, 31.6°, 35.3° and 45° settings.

Check that the miter scale and the tip of the indicator are properly aligned.

* Operation of the saw with the miter scale and indicator out of alignment, or with the side handle not properly tightened, will result in poor cutting precision.

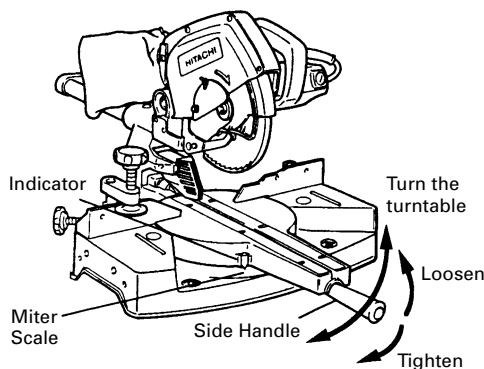


Fig. 26

9. Compound cutting procedures

Compound cutting can be performed by following the instructions in 7 and 8 above. At a bevel angle of 45° and a miter angle of 45°, a workpiece of 1-25/32" (45mm) in height and up to 8-21/32" (220mm) in width can be cut.

⚠ CAUTION: Always secure the workpiece with the right hand side for compound cutting. Never rotate the turntable to the right for compound cutting, because the saw blade might then contact the clamp or vise that secures the workpiece, and cause personal injury or damage.

10. Crown molding cutting procedures

Fig. 27 shows two common crown molding types having angles of (θ) 38° and 45°. For the typical crown molding fittings, see Fig. 28.

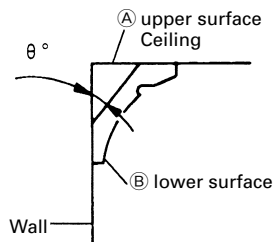


Fig. 27

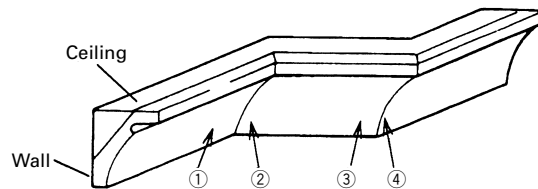


Fig. 28

The table below shows the miter angle and the bevel angle settings that are ideal for the two crown molding types.

NOTE: For convenience, positive stops are provided for both the miter setting (left and right 31.6°, 35.3°) and the bevel setting positions (left 30°, 33.9°).

For miter cut setting

If the turntable has been set to either of the angles described, move the turntable adjusting side handle a little to the right and left to stabilize the position and to properly align the miter angle scale and the tip of the indicator before the operation starts.

For bevel cut setting

Move handle on bevel section to the left and check that the position is stable and that the bevel angle scale and the tip of the indicator are properly aligned. Then tighten the clamp lever.

Type of Crown Molding	To process crown molding at positions ① and ④ in Fig. 28.		To process crown molding at positions ② and ③ in Fig. 28.	
	Miter Angle Setting	Bevel Angle Setting	Miter Angle Setting	Bevel Angle Setting
45° Type	right 35.3° (↓ mark)	30° (↓ mark)	left 35.3° (↓ mark)	left 30° (↓ mark)
38° Type	right 31.6° (↓ mark)	33.9° (↓ mark)	left 31.6° (↓ mark)	left 33.9° (↓ mark)

(1) Setting to cut crown moldings at positions ① and ④ in Fig. 28 (see Fig. 29):

- ① Turn the turntable to the right and set the Miter Angle as follows:
 - * For 45° type crown moldings: 35.3° (↓ mark)
 - * For 38° type crown moldings: 31.6° (↓ mark)
- ② Tilt the head to the left and set the Bevel Angle as follows:
 - * For 45° type crown moldings: 30° (↓ mark)
 - * For 38° type crown moldings: 33.9° (↓ mark)
- ③ Position the crown molding so that the upper surface (Ⓐ in Fig. 27) contacts the fence as indicated in Fig. 30.

(2) Setting to cut crown moldings at positions ② and ③ in Fig. 28 (see Fig. 31):

- ① Turn the turntable to the left and set the Miter Angle as follows:
 - * For 45° type crown moldings: 35.3° (↓ mark)
 - * For 38° type crown moldings: 31.6° (↓ mark)
- ② Tilt the head to the left and set the Bevel Angle as follows:
 - * For 45° type crown moldings: 30° (↓ mark)
 - * For 38° type crown moldings: 33.9° (↓ mark)
- ③ Position the crown molding so that the lower surface (Ⓑ in Fig. 27) contacts the fence as in Fig. 32.

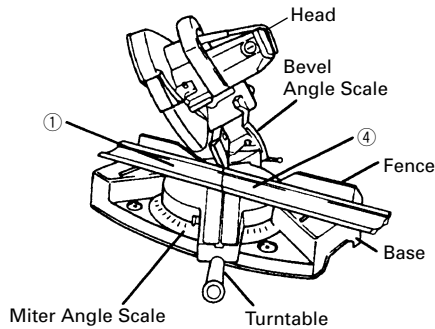


Fig. 29

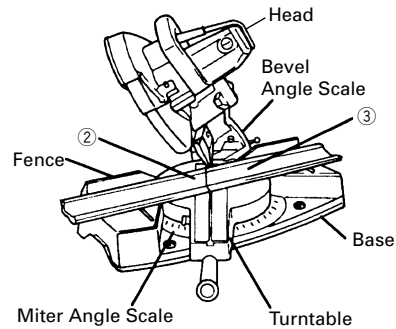


Fig. 31

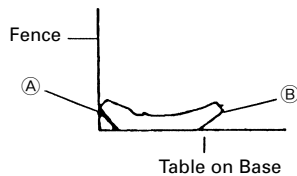


Fig. 30

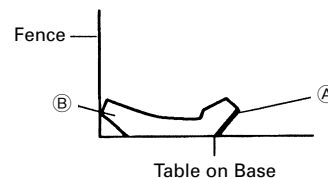


Fig. 32

11. Groove cutting procedures

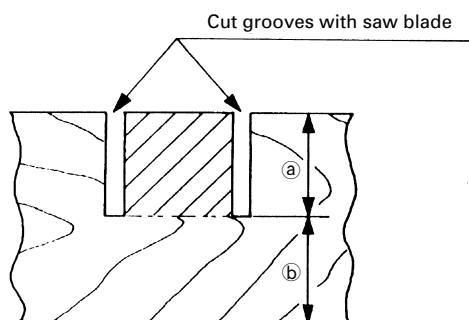


Fig. 33

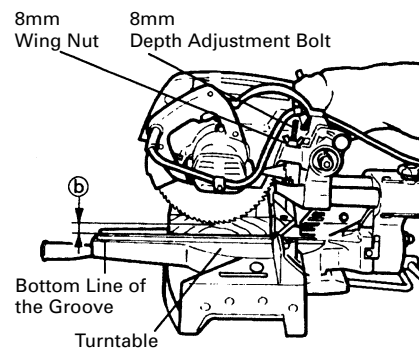


Fig. 34

Grooves in the workpiece can be cut as indicated in Fig. 33 by adjusting the 8mm depth adjustment bolt.

Cutting depth adjustment procedure:

- (1) Loosen the 8mm wing nut and turn the 8mm depth adjustment bolt by hand.
- (2) Adjust to the desired cutting depth by setting the distance between the saw blade and the surface of the base (see Ⓑ in Fig. 33).
- (3) The 8mm wing nut must be properly tightened after the adjustment has been completed.

NOTE: When cutting a single groove at either end of the workpiece, remove the unneeded portion with a chisel.

12. Cutting easily-deformed materials, such as aluminum sash

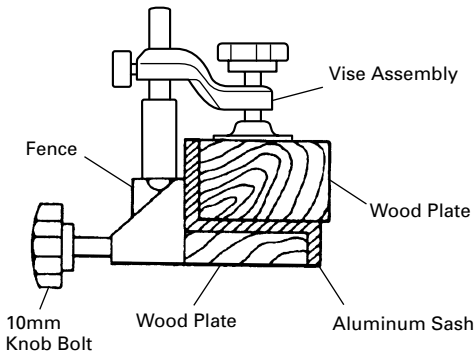


Fig. 35

Materials such as aluminum sash can easily deform when tightened too much in a vise assembly. This will cause inefficient cutting and possible overload of the motor.

When cutting such materials, use a wood plate to protect the workpiece as shown in Fig. 35.

When cutting aluminum materials, coat the saw blade with cutting oil (non-combustible) to achieve smooth cutting and a fine finish.

13. How to use the dust bag (Standard accessory)

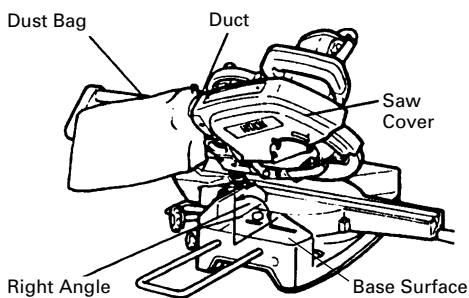


Fig. 36

(1) When the dust bag has become full of sawdust, dust will be blown out of the dust bag when the saw blade rotates. Check the dust bag periodically and empty it before it becomes full.

(2) During bevel and compound cutting, attach the dust bag at a right angle to the base surface as shown in Fig. 36.

⚠ CAUTION: Empty the dust bag frequently to prevent the duct and the safety cover from becoming clogged.
Sawdust will accumulate more quickly than normal during bevel cutting.

SAW BLADE MOUNTING AND DISMOUNTING

⚠ WARNING: To prevent an accident or personal injury, always turn off the trigger switch and disconnect the power plug from the receptacle before removing or installing a saw blade.

1. Mounting the saw blade (Fig. 37-a and Fig. 37-b)

(1) Press in spindle lock and loosen bolt with 10mm box wrench.

Since the bolt is left-hand threaded, loosen by turning it to the right as shown in Fig. 37-b.

NOTE: If the spindle lock cannot be easily pressed in to lock the spindle, turn the bolt with 10mm box wrench while applying pressure on the spindle lock.

The saw blade spindle is locked when the spindle lock is pressed inward.

(2) Remove the bolt and washer (C)

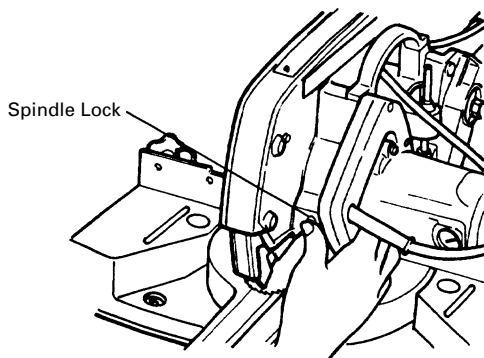


Fig. 37-a

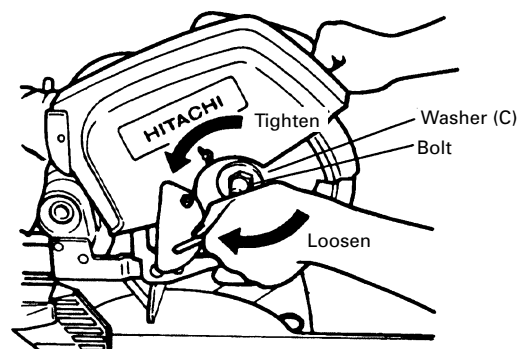


Fig. 37-b

(3) Lift the safety covers (safety cover and sub cover) and mount the saw blade.

⚠ WARNING: When mounting the saw blade, confirm that the rotation indicator mark on the saw blade and the rotation direction of the saw cover (see Fig. 1) are properly matched.

(4) Thoroughly clean washer (C) and the bolt, and install them onto the saw blade spindle.

(5) Press in the spindle lock and tighten the bolt by turning it to the left by 10mm box wrench as indicated in Fig. 37-b.

⚠ CAUTION: * Confirm that the spindle lock has returned to the retract position after installing or removing the saw blade.
* Tighten the bolt so it does not come loose during operation.
Confirm the bolt has been properly tightened before the power tool is started.

2. Dismounting the saw blade

Dismount the saw blade by reversing the mounting procedures described in paragraph 1 above. The saw blade can easily be removed after lifting the safety covers.

⚠ CAUTION: Never attempt to install saw blades larger than 8-1/2" (216mm) in diameter. Always install saw blades that are 8-1/2" (216mm) in diameter or less.

MAINTENANCE AND INSPECTION

⚠ WARNING: To avoid an accident or personal injury, always confirm that the trigger switch is turned OFF and the power plug has been disconnected from the receptacle before performing any maintenance or inspection of this tool.

1. Inspecting the saw blade

Always replace the saw blade immediately upon the first sign of deterioration or damage.

A damaged saw blade can cause personal injury and a worn saw blade can cause ineffective operation and possible overload to the motor.

⚠ CAUTION: Never use a dull saw blade. When a saw blade is dull, its resistance to the hand pressure applied by the tool handle tends to increase, making it unsafe to operate the power tool.

2. Adjusting a loose slide pipe

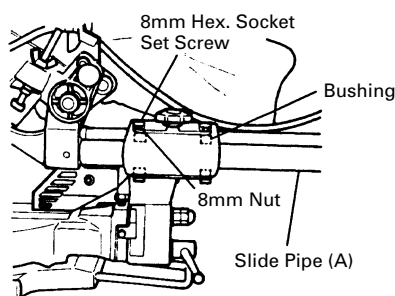


Fig. 38

After extended use of the power tool, the slide pipe (A) and the bushing can become loose due to vibration. Never operate the tool if any components are loose to avoid personal injury.

(1) Loosen the 8mm nut and tighten the four 8mm hexagon socket set screws until the power tool operates smoothly without looseness.

(2) Properly tighten the 8mm nut after completing these adjustment.

3. Inspecting the carbon brushes (Fig. 39 and Fig. 40)

The carbon brushes in the motor are expendable parts.

If the carbon brushes become excessively worn, motor trouble might occur.

Therefore, inspect the carbon brushes periodically and replace them when they have become worn to the wear limit line as shown in Fig. 39.

Also, keep the carbon brushes clean so that they will slide smoothly within the brush holders.

The carbon brushes can easily be removed after removal of the brush caps (see Fig. 40) with a slotted (minus) screwdriver.

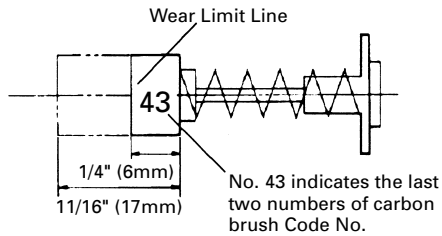


Fig. 39

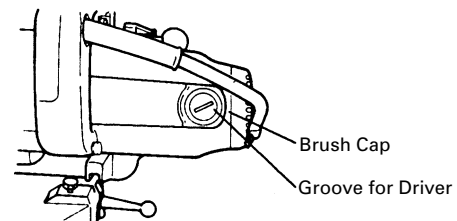


Fig. 40

4. Inspecting the mounting screws

Regularly inspect each component of the power tool for looseness.

Re-tighten mounting screws on any loose part.

⚠ WARNING: To prevent personal injury, never operate the power tool if any components are loose.

5. Inspecting the safety covers for proper operation

Before each use of the tool, test the safety covers (see Fig. 7) to assure that they are in good condition and that they move smoothly.

Never use the tool unless the safety covers operate properly and it is in good mechanical condition.

6. Storage

After operation of the tool has been completed, check that the following has been performed:

- (1) Trigger switch is in OFF position,
- (2) Power plug has been removed from the receptacle,
- (3) Lock-off button has been removed and stored in a secure place.

When the tool is not in use, keep it stored in a dry place out of the reach of children.

7. Handle (for transportation and carrying)

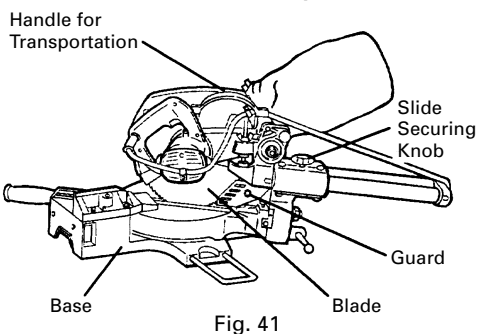


Fig. 41

For transportation purpose, grasp the handle with one hand and hold the base at the left end grip section with the other to carry.

NOTE: Before transporting or carrying, position saw blade against guard and tighten slide securing knob to stop slide motion.

8. Lubrication

Lubricate the following sliding surfaces once a month to keep the power tool in good operating condition for a long time (see Fig. 1 and Fig. 2). Use of machine oil is recommended.

Oil supply points:

- *Rotary portion of hinge
- *Rotary portion of vise assembly
- *Sliding portion of slide pipe (A) and slide pipe (B)

9. Cleaning

Periodically remove chips, dust and other waste material from the surface of the power tool, especially from the inside of the safety cover and sub cover with a damp, soapy cloth. To avoid a malfunction of the motor, protect it from contact with oil or water.

SERVICE AND REPAIRS

All quality power tools will eventually require servicing or replacement of parts because of wear from normal use. To assure that only authorized replacement parts will be used and that the double insulation system will be protected, all service (other than routine maintenance) must be performed by an AUTHORIZED HITACHI POWER TOOL REPAIR CENTER ONLY.

NOTE: Specifications are subject to change without any obligation on the part of HITACHI.

INFORMATIONS IMPORTANTES

Lire et assimiler toutes les instructions de fonctionnement, les précautions de sécurité et les avertissements de ce mode d'emploi avant d'utiliser ou d'entretenir cet outil électrique.

La plupart des accidents causés lors de l'utilisation ou de l'entretien de l'outil électrique proviennent d'un non respect des règles ou précautions de sécurité de base. Un accident peut la plupart du temps être évité si l'on reconnaît une situation de danger potentiel avant qu'elle ne se produise, et en observant les procédures de sécurité appropriées.

Les précautions de sécurité de base sont mises en évidence dans la section "SECURITE" de ce mode d'emploi et dans les sections qui contiennent les instructions de fonctionnement et d'entretien.

Les dangers qui doivent être évités pour prévenir des blessures corporelles ou un dommage de l'outil sont identifiés par AVERTISSEMENTS sur l'outil électrique et dans ce mode d'emploi.

Ne jamais utiliser cet outil électrique d'une manière qui n'est pas spécifiquement recommandée par HITACHI sans avoir d'abord vérifié que l'utilisation prévue est sans danger pour vous et les autres.

SIGNIFICATION DES MOTS D'AVERTISSEMENT

⚠ AVERTISSEMENT: Indique des situations potentiellement dangereuses qui, si elles sont ignorées, pourraient entraîner de graves blessures.

⚠ PRÉCAUTION: Indique des situations dangereuses qui, si elles sont ignorées, pourrait entraîner de légères blessures ou endommager l'outil.

REMARQUE: Met en relief des informations essentielles.

SÉCURITÉ

CONSIGNES DE SÉCURITÉ RELATIVES AUX OUTILS ÉLECTRIQUES.

LIRE TOUS LES AVERTISSEMENTS ET TOUTES LES INSTRUCTIONS D'UTILISATION DU MANUEL AVANT DE METTRE L'OUTIL EN SERVICE OU DE L'ENTREtenir :

⚠ AVERTISSEMENT: Lorsqu'on utilise l'outil électrique, prendre toutes les précautions nécessaires pour éviter au maximum tout risque de choc électrique ou autre blessure physique.

En particulier, toujours respecter les consignes de sécurité suivantes :

- 1. TOUJOURS LAISSER LES PROTECTIONS EN PLACE ET LES MAINTENIR EN BON ORDRE DE MARCHÉ.**
- 2. TOUJOURS RETIRER LES CLAVETTES DE RÉGLAGE ET LES CLÉS AVANT DE METTRE L'OUTIL EN MARCHÉ.** Toujours vérifier que les clés et les clavettes de réglage sont bien toutes retirées de l'outil avant de le mettre en marche.
- 3. TOUJOURS MAINTENIR L'AIRE DE TRAVAIL PROPRE.** Pour éviter tout risque de blessure, ne pas encombrer l'aire de travail ni l'établi.
- 4. NE JAMAIS UTILISER L'OUTIL DANS UN ENVIRONNEMENT DANGEREUX.** Ne jamais utiliser l'outil électrique dans un endroit humide ou mouillé, et ne jamais l'exposer à la pluie. Toujours veiller à ce que l'aire de travail soit suffisamment éclairée.
- 5. NE JAMAIS LAISSER LES ENFANTS NI AUCUNE AUTRE PERSONNE APPROCHER DE L'AIRE DE TRAVAIL.** Interdire l'accès de l'aire de travail à tout le monde (en particulier aux enfants). Toujours débrancher l'outil quand on s'en éloigne et veiller à ce que personne ne puisse pénétrer dans l'aire de travail en mettant des verrous aux portes et aux interrupteurs principaux. Toujours retirer le bouton de déverrouillage de l'outil et le ranger en lieu sûr lorsqu'on ne s'en sert pas.
- 6. NE JAMAIS FORCER L'OUTIL.** Il effectuera le travail le meilleur et avec la sécurité maximale au régime pour lequel il a été conçu.
- 7. TOUJOURS UTILISER LES OUTILS APPROPRIÉS.** Ne jamais utiliser un outil ou un accessoire pour un travail pour lequel il n'est pas conçu.
- 8. PORTER DES VÊTEMENTS APPROPRIÉS PENDANT LE TRAVAIL.** Ne jamais porter de vêtements lâches ni de gants, cravate, bagues, bracelets ni aucun autre bijou. Ils pourraient se coincer dans les pièces en rotation. Toujours porter des chaussures anti-dérapantes, en particulier avec des doigts de pied en acier. Porter un couvre-chef qui recouvre les cheveux longs.

- 9. TOUJOURS PORTER DES LUNETTES DE PROTECTION PENDANT LE TRAVAIL POUR ÉVITER TOUT RISQUE DE BLESSURE DES YEUX.** Les lunettes ordinaires n'assurent pas une protection suffisante parce que les verres ne sont pas faits en verre de sécurité. Par ailleurs, porter un masque sur le visage pour accroître la sécurité, et un masque anti-poussière si le travail doit dégager de la poussière.
- 10. TOUJOURS FIXER LA PIÈCE À LA GARDE OU À LA TABLE.** Utiliser des dispositifs de serrage ou un étau pour tenir la pièce. Cela sera plus sûr que de tenir la pièce à la main et libérera les deux mains pour le travail.
- 11. NE JAMAIS TROP SE PENCHER.** Toujours garder une bonne assise et un bon équilibre pendant le travail.
- 12. TOUJOURS ENTRETENIR LES OUTILS AVEC SOIN.** Maintenir les outils aiguisés et propres pour optimiser le travail et la sécurité. Toujours suivre les instructions de graissage et de remplacement des accessoires.
- 13. TOUJOURS DÉBRANCHER L'OUTIL** avant un entretien et lors du remplacement des lames ou de tout autre accessoire.
- 14. NE JAMAIS RISQUER UNE MISE EN MARCHÉ INOPINÉE LORSQU'ON BRANCHE L'OUTIL.** Toujours vérifier que l'interrupteur est en position OFF avant de brancher la fiche d'alimentation dans la prise secteur.
- 15. TOUJOURS UTILISER EXCLUSIVEMENT LES ACCESSOIRES RECOMMANDÉS POUR L'OUTIL.** Consulter le mode d'emploi pour la description des outils recommandés. Pour éviter tout risque de blessure, utiliser exclusivement les accessoires recommandés pour cet outil.
- 16. NE JAMAIS MONTER SUR L'OUTIL.** Pour éviter tout risque de blessures graves, ne pas incliner l'outil, et veiller à ne pas toucher la lame par inadvertance.
- 17. TOUJOURS VÉRIFIER SI L'OUTIL A DES PIÈCES ENDOMMAGÉES AVANT DE L'UTILISER.** Toujours vérifier si la protection et les autres composants sont endommagés avant d'utiliser l'outil pour s'assurer qu'ils fonctionneront correctement. Vérifier si toutes les pièces mobiles sont bien alignées, non voilées, ou toute autre condition qui pourrait entraver leur bon fonctionnement. Toujours réparer ou remplacer les protections ou les autres pièces endommagées avant d'utiliser l'outil.
- 18. TOUJOURS VÉRIFIER LE SENS DE ROTATION DE LA LAME AVANT D'UTILISER L'OUTIL.** Toujours avancer la pièce dans l'outil contre le sens de rotation de la lame pour éviter tout risque de blessure.
- 19. NE JAMAIS S'ÉLOIGNER DE L'OUTIL QUAND IL FONCTIONNE. LE METTRE HORS TENSION.** Ne pas s'éloigner de l'outil tant qu'il n'est pas complètement arrêté. Toujours mettre l'outil hors tension quand on ne s'en sert pas. Toujours débrancher le cordon d'alimentation quand on ne se sert pas de l'outil.
- 20.** L'outil n'est pas conçu pour des applications de fabrication en série, et il ne devra donc pas être utilisé dans un environnement de fabrication en série.
- 21.** Pour les réparations, utiliser exclusivement des pièces de rechange agréées.
- 22.** Alimenter l'outil exclusivement sur un courant alternatif de 115 volts. Une tension ou une alimentation incorrectes pourraient provoquer un mauvais fonctionnement de l'OUTIL ELECTRIQUE et provoquer des blessures physiques ou des dommages matériels graves.
- 23.** Ne jamais relever la lame de la pièce tant qu'elle n'est pas complètement arrêtée.
- 24.** Toujours utiliser des supports extérieurs pour assurer la stabilité des longues pièces qui dépassent de la table de la scie à onglet radiale.
- 25.** Pour éviter tout risque de blessure, toujours ramener le chariot complètement vers l'arrière après chaque coupe en travers.
- 26. FICHES POLARISÉES** Pour réduire tout risque de choc électrique, l'appareil possède une fiche polarisée (l'une des lames est plus large que l'autre). Cette fiche ne rentrera dans une prise polarisée que dans un sens. Si la fiche ne rentre pas dans la prise, l'inverser. Si elle ne rentre toujours pas, faire installer une prise appropriée par un électricien qualifié. Ne pas modifier la fiche de quelque façon que ce soit.

Consignes de sécurité spéciales pour cet outil électrique

⚠ AVERTISSEMENT: Pour éviter tout risque de blessure, les consignes de sécurité spéciales suivantes devront être respectées lors de l'utilisation de l'outil.


CHOSSES A FAIRE

TOUJOURS OBSERVER LES CONSIGNES SUIVANTES POUR GARANTIR UNE UTILISATION EN TOUTE SÉCURITÉ:

1. Bien lire le manuel et se familiariser avec les consignes de sécurité et les instructions d'utilisation de l'OUTIL ELECTRIQUE avant de l'utiliser.
2. Toujours vérifier que l'OUTIL ELECTRIQUE est propre avant de l'utiliser.
3. Toujours porter des vêtements bien ajustés et des chaussures anti-dérapantes (de préférence avec des doigts de pied en acier) et des lunettes de protection lorsqu'on utilise l'OUTIL ELECTRIQUE.
4. Toujours manier l'OUTIL ELECTRIQUE avec soin. Si l'OUTIL ELECTRIQUE tombe ou qu'il heurte un objet dur, il risque de se déformer, de se fendiller ou autre dommage.
5. Toujours cesser immédiatement d'utiliser la scie si l'on remarque quelque chose d'anormal.
6. Toujours vérifier que les pièces sont toutes correctement montées et fixées avant d'utiliser l'outil.
7. Pour le remplacement de la lame, toujours vérifier que le régime nominal de la nouvelle lame convient pour l'outil.
8. Toujours mettre l'outil hors tension et attendre que la lame ait complètement cessé de tourner avant tout remplacement ou tout réglage.
9. Pendant une coupe avec chariot, toujours repousser la lame loin de l'opérateur.
10. Toujours visser ou fixer la pièce sur la garde, pour qu'elle ne risque pas d'être éjectée de la table et de provoquer des blessures.
11. Pendant une coupe d'onglet ou de biseau, toujours attendre que la lame ait complètement cessé de tourner avant de la relever.
12. Toujours faire un essai avant d'utiliser la scie pour un nouvel usage.
13. Toujours manipuler la scie avec soin lorsqu'on la démonte ou qu'on la monte.
14. Toujours vérifier qu'il n'y a ni clou ni aucun autre corps étranger dans la pièce avant de commencer une coupe.
15. Toujours éloigner les mains du trajet de lame.
16. Toujours vérifier que les carters de sécurité sont en place avant d'utiliser la scie.
17. Toujours vérifier que le carter de sécurité ne gêne pas le mouvement du chariot avant toute coupe avec chariot.
18. Inspecter périodiquement les cordons d'alimentation.
19. Le cas échéant, toujours vérifier que l'on utilise des cordons et des rallonges du type et de la longueur voulus avant de mettre l'outil en marche.
20. Toujours vérifier que les événements d'aération du moteur sont complètement dégagés avant d'utiliser l'outil.
21. Toujours attendre que le moteur ait atteint sa vitesse de régime avant d'entamer une coupe.
22. Toujours maintenir les poignées sèches, propres et sans huile ni graisse. Tenir l'outil fermement pendant le travail.
23. Toujours utiliser des supports extérieurs pour soutenir les pièces longues qui dépassent de la table de la scie à coupe d'onglet.
24. Toujours commencer par s'assurer que la pièce est correctement fixée dans un étau.
25. Toujours utiliser la garde de chariot (A) et la garde de chariot (B) si la pièce est trop petite pour être fixée avec la garde (A) et la garde (B) du socle.
26. Le mode d'emploi fourni avec l'outil explique à l'utilisateur comment fixer l'outil sur la structure de support si, pendant un fonctionnement normal, l'outil a tendance à se renverser, à glisser, ou à se déplacer sur la surface de support.

CHOSSES A NE PAS FAIRE

POUR GARANTIR UNE UTILISATION EN TOUTE SÉCURITÉ, NE JAMAIS VIOLER LES CONSIGNES SUIVANTES:

1. Ne jamais utiliser l'OUTIL ELECTRIQUE si l'on ne comprend pas bien les instructions de ce manuel.
2. Ne jamais s'éloigner de l'OUTIL ELECTRIQUE sans débrancher auparavant son cordon d'alimentation.
3. Ne jamais utiliser l'OUTIL ELECTRIQUE quand on est fatigué, après avoir pris des médicaments ou consommé des boissons alcoolisées.
4. Ne jamais utiliser l'OUTIL ELECTRIQUE pour des applications non spécifiées dans ce mode d'emploi.
5. Ne jamais faire fonctionner l'outil si l'on porte des vêtements lâches, une cravate ou des bijoux, ou sans se couvrir les cheveux, pour éviter qu'ils ne se prennent dans les pièces mobiles.
6. Ne jamais approcher les mains de la lame.
7. Ne jamais toucher les pièces en mouvement, y compris la lame, pendant le fonctionnement de la scie.
8. Ne jamais retirer les dispositifs de sécurité ni les protections de lame ; l'utilisation de l'outil serait dangereuse sans ces pièces.
9. Ne jamais verrouiller le carter de sécurité ; toujours vérifier qu'il glisse régulièrement avant d'utiliser l'outil.
10. Ne jamais endommager le cordon d'alimentation de l'outil.
11. Quand l'OUTIL ELECTRIQUE est branché, ne jamais tenter de le déplacer avec le doigt sur l'interrupteur de marche.
12. Ne jamais utiliser l'OUTIL ELECTRIQUE si l'interrupteur de marche ne fonctionne pas correctement.
13. Ne jamais utiliser l'OUTIL ELECTRIQUE si le logement en plastique ou la poignée sont déformés ou fendillés.
14. Ne jamais utiliser l'OUTIL ELECTRIQUE à proximité d'un liquide ou d'un gaz inflammable, car les étincelles pourraient provoquer une explosion.
15. Ne jamais nettoyer les composants en plastique avec des solvants car cela risquerait de dissoudre le plastique.
16. Ne jamais faire fonctionner la scie si les protections de lame ne sont pas toutes en place.
17. Ne jamais relever la lame de la pièce tant que la lame n'est pas complètement arrêtée.
18. Lors d'une coupe avec chariot, ne jamais tirer la poignée vers l'opérateur car cela pourrait provoquer un retour de lame. Toujours repousser la poignée loin de l'opérateur d'un mouvement régulier et ininterrompu.
19. Ne jamais amener les membres à l'intérieur de la ligne à côté du signe d'avertissement "  " quand l'outil fonctionne. Cela pourrait être dangereux.
20. Ne jamais utiliser de lames de type abrasif avec cette scie.
21. Ne jamais exposer à la pluie ni utiliser dans un endroit humide.
22. Ne jamais couper de métaux ferreux ni de maçonnerie.

AVERTISSEMENT

POUR VOTRE PROPRE SÉCURITÉ, LISEZ ATTENTIVEMENT CE MODE D'EMPLOI AVANT D'UTILISER LA SCIE À COUPE D'ONGLET RADIALE.

1. Toujours porter des lunettes de protection lorsqu'on utilise la scie à coupe d'onglet radiale.
2. Toujours éloigner les mains du trajet de lame.
3. Ne jamais faire fonctionner la scie si les protections ne sont pas en place.
4. Ne jamais effectuer d'opération à la volée avec la scie à coupe d'onglet radiale.
5. Ne jamais s'approcher de la lame.
6. Toujours mettre la scie hors tension et attendre que la lame ait complètement cessé de tourner avant de déplacer la pièce ou de modifier les réglages.
7. Toujours débrancher l'alimentation avant de remplacer la lame ou d'entretenir l'outil.
8. Le diamètre de la lame est de 216 mm (8-1/2").
9. La vitesse à vide est de 4900 tr/mn.
10. Pour réduire les risques de blessure, remettez le chariot complètement dans sa position arrière après chaque coupe en travers.

PIECES DE RECHANGE

Pour les réparations, utiliser exclusivement des pièces de rechange identiques. Les réparations devront être effectuées exclusivement par un centre de service après-vente Hitachi agréé.

UTILISER LE CORDON DE RALLONGE APPROPRIÉ

Utiliser exclusivement un cordon de rallonge en bon état. Lorsqu'on utilise un cordon de rallonge, veiller à ce qu'il soit suffisamment lourd pour supporter le courant dont l'appareil aura besoin. Un cordon trop petit provoquera une chute de la tension de ligne, ce qui entraînera une perte de puissance et une surchauffe. Le tableau indique le calibre à utiliser en fonction de la longueur du cordon et de l'intensité nominale indiquée sur la plaque signalétique. En cas de doute, utiliser un calibre supérieur. Plus le numéro du calibre est petit, plus le cordon est lourd.

		CALIBRE MINIMUM DES CORDONS			
		Longueur totale de cordon en pieds (mètres)			
		0 – 25 (0 – 7,6)	26 – 50 (7,9 – 15,2)	51 – 100 (15,5 – 30,5)	101 – 150 (30,8 – 45,7)
Intensité nominale		CALIBRE			
Supérieure à	Non supérieure à				
	0 – 6	18	16	16	14
	6 – 10	18	16	14	12
	10 – 12	16	16	14	12
	12 – 16	14	12	Non recommandé	

⚠ AVERTISSEMENT: Eviter tout risque de choc électrique. Ne jamais utiliser l'outil avec un cordon électrique ou un cordon de rallonge endommagé ou dénudé. Inspecter régulièrement les cordons électriques. Ne jamais utiliser dans l'eau ou à proximité d'eau, ni dans un environnement susceptible de provoquer un choc électrique.

DOUBLE ISOLATION POUR UN FONCTIONNEMENT PLUS SUR

Pour assurer un fonctionnement plus sûr de cet outil électrique, HITACHI a adopté une conception à double isolation. "Double isolation" signifie que deux systèmes d'isolation physiquement séparés ont été utilisés pour isoler les matériaux conducteurs d'électricité connectés à l'outil électrique à partir du cadre extérieur manipulé par l'utilisateur. C'est pourquoi, le symbole "⊞" ou les mots "Double insulation" (double isolation) apparaissent sur l'outil électrique ou sur la plaque signalétique.

Bien que ce système n'ait pas de mise à la terre extérieure, il est quand même nécessaire de suivre les précautions de sécurité électrique données dans ce mode d'emploi, y compris de ne pas utiliser l'outil électrique dans un environnement humide.

Pour garder le système de double isolation effectif, suivre ces précautions:

- * Seuls les CENTRES DE SERVICE AUTORISES HITACHI peuvent démonter et remonter cet outil électrique et uniquement des pièces de rechange HITACHI garanties d'origine doivent être utilisées.
- * Nettoyer l'extérieur de l'outil électrique uniquement avec un chiffon doux légèrement imbibé d'une solution savonneuse et essuyer minutieusement.
- * Ne jamais utiliser de solvants, d'essence ou de diluants sur les parties en plastique; sinon le plastique risquerait de se dissoudre.

**CONSERVER CES INSTRUCTIONS
ET
LES METTRE A LA DISPOSITION
DES AUTRES UTILISATEURS DE L'OUTIL!**

UTILISATION ET ENTRETIEN

REMARQUE: Les informations contenues dans ce manuel sont destinées à vous aider à utiliser et à entretenir l'OUTIL ELECTRIQUE en toute sécurité. Certaines illustrations de ce manuel peuvent montrer des détails ou des fixations qui diffèrent de ceux de votre OUTIL ELECTRIQUE. Par ailleurs, dans certaines illustrations, les protections et les caches ont été intentionnellement supprimés à des fins d'illustration.

NOM DES PIÈCES

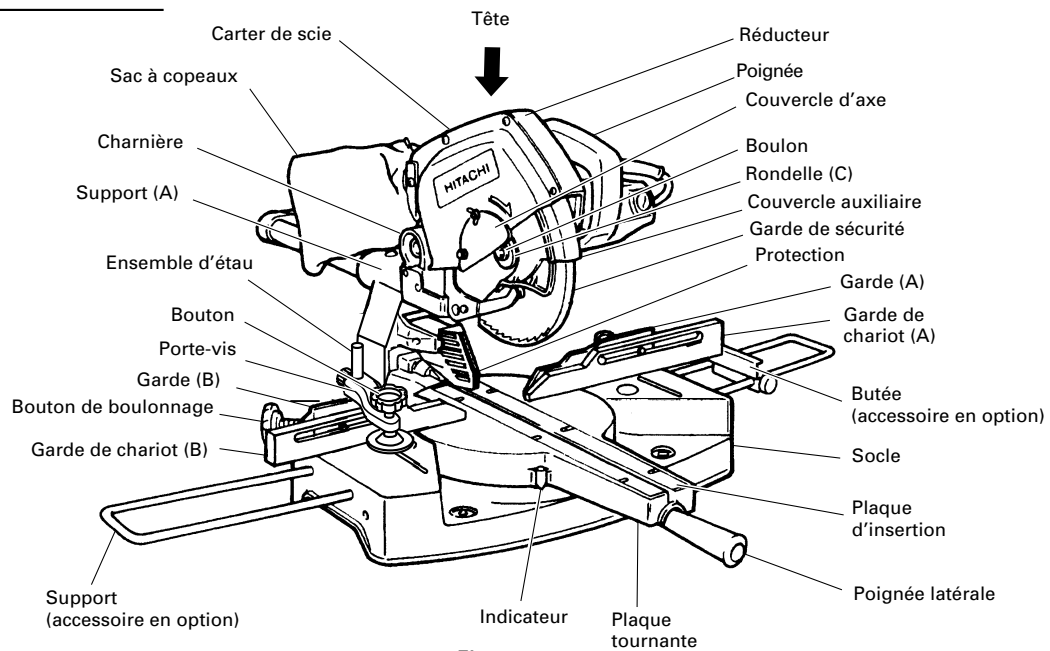


Fig. 1

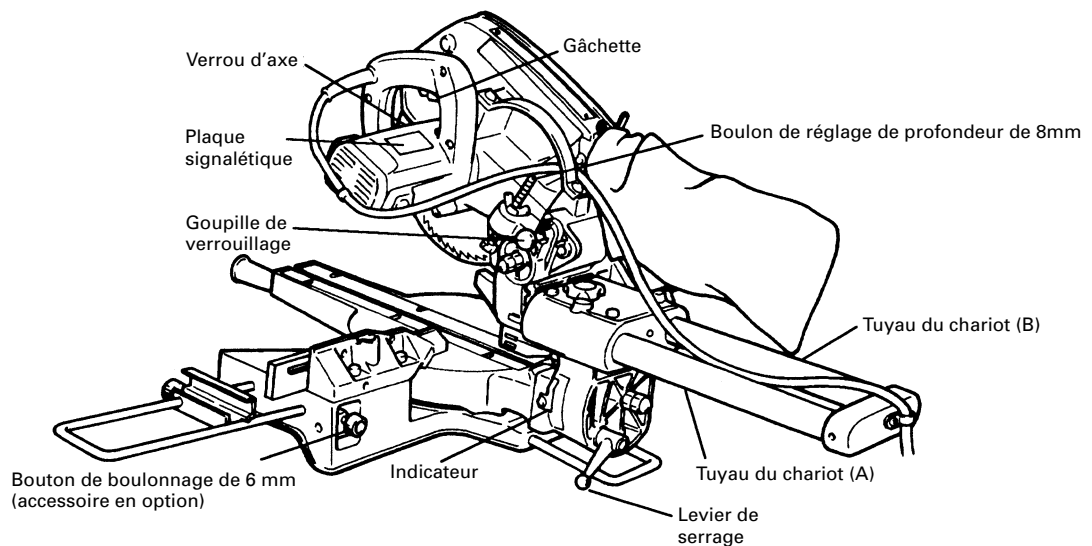


Fig. 2

SPÉCIFICATIONS

Article	Modèle		C 8FB2	
Moteur	Type		Moteur à commutateur série	
	Alimentation		Courant alternatif monophasé 60 Hz	
	Tension (volts)		115	
	Courant à pleine charge (Amp)		9,5	
Lame applicable			Diámetro exterior: 216 mm (8-1/2") Dia. d'orifice 15,9 mm (5/8")	
Vitesse à vide			4900 tr/mn	
Dimension de coupe max.	Biseau 0°	Onglet 0°	Hauteur max. 65mm (2-9/16") Largeur max. 305mm (12") *296mm (11-21/32")	(Hauteur max. 75mm (2-15/16") Largeur max. 280mm (11") *271mm (10-21/32"))
		Onglet 45°	Hauteur max. 65mm (2-9/16")	
	Biseau 45°	Onglet 0°	Hauteur max. 45mm (1-25/32")	Largeur 305mm (12") *296mm (11-21/32")
		Onglet 45°	Hauteur max. 45mm (1-25/32")	220mm (8-21/32") *211mm (8-5/16")
Plage de coupe d'onglet			Gauche 0° – 45° Droite 0° – 57°	
Plage de coupe en biseau			Gauche 0° – 45°	
Poids net			17,5kg (38,6lbs.)	
Cordon			Câble à 2 conducteurs de 2,5 m (8ft.)	

*Lorsque l'ensemble de garde de chariot est utilisé.

ACCESSOIRES

⚠ AVERTISSEMENT: Les accessoires pour cet outil électrique sont mentionnés dans ce mode d'emploi. L'utilisation de tout autre attachement ou accessoire peut être dangereuse et peut causer des blessures ou des dommages mécaniques.

ACCESSOIRES STANDARD

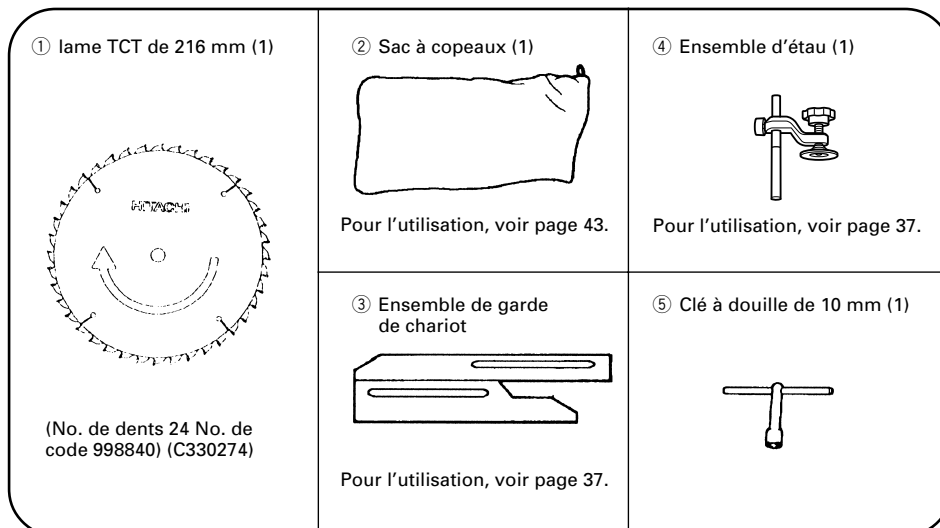


Fig. 3

ACCESSOIRES EN OPTION...vendus séparément

- ① Support de rallonge et butée (Fig. 1) (No. de code 998866)
- ② Ensemble de protection (A) (réglable) (No. de code 998984)
- ③ Lame TCT de 216 mm (8-1/2") (No. total de dents: 36) (No. de code 998860)
- ④ Lame TCT de 216 mm (8-1/2") (No. total de dents: 60) (No. de code 998862)
- ⑤ Lame TCT de 216 mm (8-1/2") pour aluminium (No. total de dents : 60) (No. de code 998864)

REMARQUE: Les accessoires sont sujets à changement sans obligation de la part de HITACHI.

APPLICATIONS

Cadres en bois et en aluminium.

PRÉPARATION AVANT L'UTILISATION

Avant de mettre l'outil électrique en service, effectuer les préparations suivantes :

1. Installation

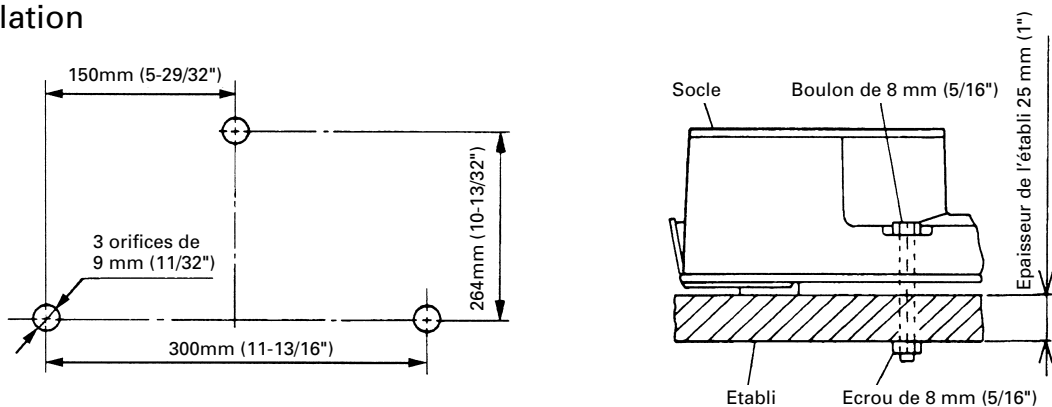


Fig. 4

Fixer l'outil électrique sur un établi horizontal et de niveau conformément à la Fig. 4.

Sélectionner des boulons d'un diamètre 8 mm (5/16") dont la longueur convient pour l'épaisseur de l'établi.

La longueur des boulons devra être d'au moins 25 mm (1") plus l'épaisseur de l'établi.

Par exemple, utiliser des boulons de 50 mm (2") ou plus avec un établi de 25 mm (1") d'épaisseur.

Le support fixé à l'arrière du socle aide à stabiliser l'outil électrique.

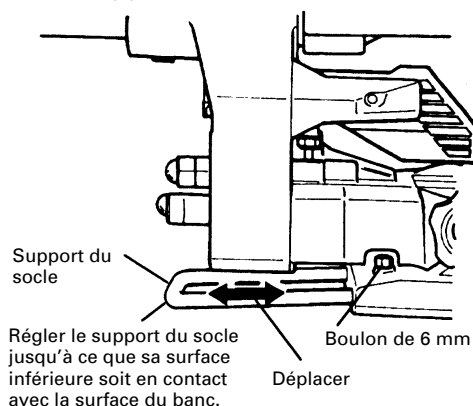


Fig. 5

Réglage du support du socle

Desserrer le boulon de 6 mm à l'aide de la clé à douille de 10 mm fournie. Régler le support du socle jusqu'à ce que sa surface inférieure soit en contact avec la surface du banc.

Après le réglage, visser le boulon de 6 mm à fond.

2. Libérer la goupille de verrouillage.

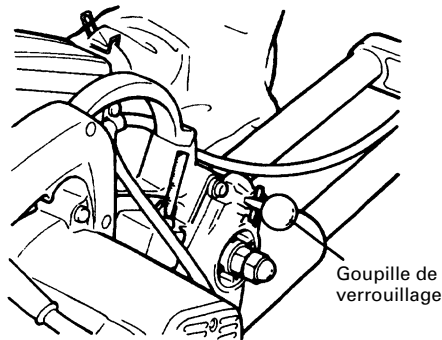


Fig. 6-a

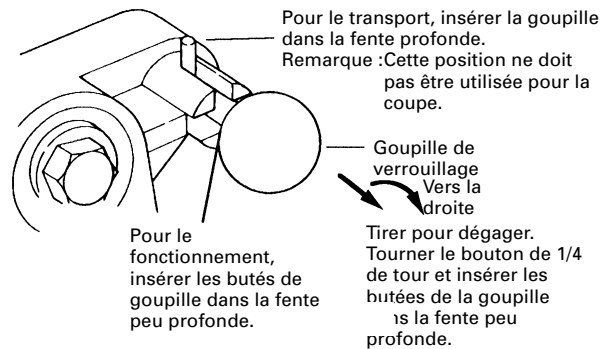


Fig. 6-b

Quand l'outil électrique quitte nos usines, ses pièces principales sont fixées à l'aide d'une goupille de verrouillage. Déplacer légèrement la poignée (voir Fig. 1) de façon à dégager la goupille de verrouillage et la régler comme indiqué sur la Fig. 6-b.

REMARQUE: La goupille de verrouillage se dégagera plus facilement et plus sûrement si l'on abaisse légèrement la poignée (voir Fig. 1).
La position verrouillée de la goupille de verrouillage ne doit servir que pour le transport et le remisage.

3. Installer le sac à copeaux, le support, la butée et les étaux.

(Le support et la butée sont des accessoires en option.)

Fixer le sac à copeaux, le support, la butée et l'ensemble d'étau, la garde de chariot (A) et la garde de chariot (B) comme indiqué sur la Fig. 1.

AVANT L'UTILISATION

1. S'assurer que la source d'alimentation convient pour l'outil.

⚠ AVERTISSEMENT: Ne jamais raccorder l'outil électrique si l'alimentation secteur n'est pas de la tension spécifiée sur la plaque signalétique de l'outil
Ne jamais raccorder l'outil à une source de courant continu.

2. Vérifier que la gâchette est sur OFF.

⚠ AVERTISSEMENT: Si l'on raccorde le cordon d'alimentation alors que la gâchette est enclenchée, l'outil se mettra brusquement en marche, ce qui peut provoquer un grave accident.

3. Vérifier s'il y a des défauts visibles sur la lame.

S'assurer qu'il n'y a ni fissures ni dommages visibles sur la lame.

4. Vérifier que la lame est solidement fixée sur l'outil électrique.

A l'aide de la clé à douille de 10 mm, serrer le boulon de l'axe de la lame pour fixer la lame.

Pour les détails, voir Fig. 37-a et Fig. 37-b dans la section "INSTALLATION ET RETRAIT DE LA LAME".

5. Vérifier si les carters de sécurité fonctionnent correctement.

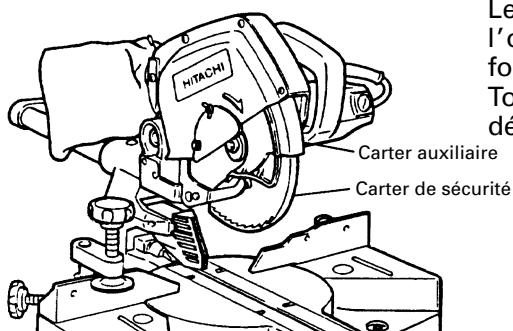


Fig. 7

Le carter de sécurité et le carter auxiliaire ont pour but de protéger l'opérateur contre tout contact avec la lame pendant le fonctionnement de l'outil.

Toujours vérifier que le carter de sécurité et le carter auxiliaire se déplacent en souplesse et qu'ils recouvrent bien la lame.

⚠ AVERTISSEMENT: Ne jamais faire fonctionner l'outil électrique si le carter de sécurité et le carter auxiliaire ne se déplacent pas en souplesse.

6. Vérifier la position du verrou d'axe avant d'utiliser l'outil.

Avant d'installer la lame, vérifier que le verrou d'axe est revenu sur sa position rentrée avant d'utiliser l'outil électrique (voir Fig. 2).

7. Vérifier la position de limite inférieure de la lame.

Bien que la lame ait été réglée en usine, vérifier soigneusement sa hauteur. S'assurer que la lame peut être abaissée de 12 à 13 mm (15/32" to 1/2") en-dessous de la plaque d'insertion. Pour les détails, voir la section "Vérification de la limite de position inférieure de la lame".

8. Vérifier la prise d'alimentation.

Pour éviter toute surchauffe, arrêt accidentel ou fonctionnement intermittent, vérifier que la fiche du cordon d'alimentation rentre à fond dans la prise secteur et qu'elle ne ressort pas après l'insertion. Réparer ou remplacer la fiche si elle est défectueuse.

9. Vérifier que le cordon d'alimentation de l'outil n'est pas endommagé.

Réparer ou remplacer le cordon si l'on constate un dommage.

Après avoir branché la fiche d'alimentation dans une source d'alimentation appropriée, vérifier le fonctionnement de l'outil comme suit :

10. Marche d'essai

Après avoir vérifié qu'il n'y a personne derrière, mettre l'outil électrique en marche et vérifier qu'il n'y a pas d'anomalie de fonctionnement avant d'effectuer une coupe.

11. Vérifier la stabilité de rotation de la lame.

Pour assurer des coupes précises, faire tourner la lame et vérifier qu'il n'y a pas de flèche pour s'assurer que la lame ne présente pas d'instabilité évidente ; sinon, cela risque de provoquer des vibrations et un accident.

AVANT LA COUPE

1. Découpe d'une encoche dans la protection

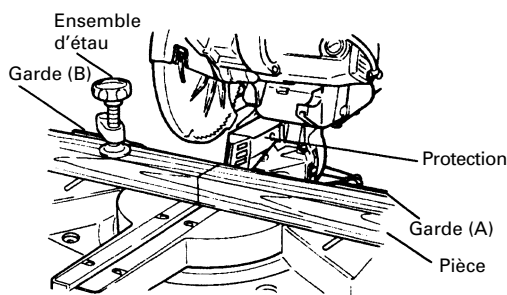


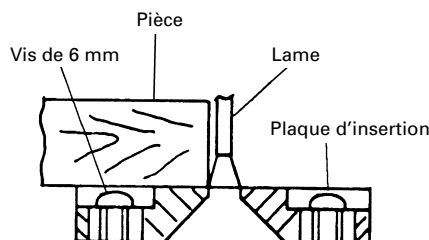
Fig. 8

Le support (A) possède une protection (voir Fig. 8) dans laquelle il faudra découper une encoche. Après avoir placé une pièce de bois appropriée de façon qu'elle repose sur les surfaces de la garde et de la table, la fixer avec l'ensemble d'étau.

Quand l'interrupteur est enclenché et que la lame a atteint sa vitesse maximale, abaisser légèrement la poignée pour découper une encoche dans la protection.

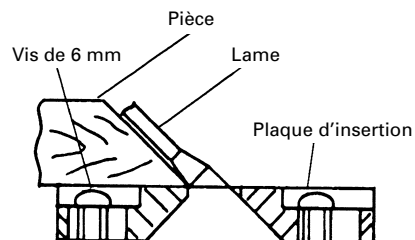
⚠ ATTENTION: Ne pas découper l'encoche trop rapidement ; on risquerait de l'endommager.

2. Installation de la plaque d'insertion



[Coupe à angle droit]

Fig. 9-a



[Coupe de biseau à gauche]

Fig. 9-b

Régler la plaque d'insertion sur la plaque tournante jusqu'à ce qu'elle soit correctement alignée sur la lame, comme indiqué ci-dessous.

Réglage de la plaque d'insertion:

- (1) Desserrer les trois vis à métaux de 6 mm qui fixent la plaque d'insertion du côté droit.
- (2) Vérifier que la plaque d'insertion est dirigée complètement vers la droite, et serrer provisoirement les vis à métaux de 6 mm à l'arrière et à l'avant.
- (3) Fixer un morceau de bois (environ 200 mm de large) sur la plaque tournante avec l'ensemble d'étau.
- (4) Couper le morceau de bois à l'angle voulu.
- (5) Aligner la plaque d'insertion du côté droit sur la ligne de coupe, comme indiqué aux Fig. 9-a et 9-b.
- (6) Serrer à fond les vis à métaux de 6 mm à l'arrière et à l'avant.
- (7) Retirer la pièce, et serrer à fond les vis à métaux de 6 mm.

Si l'outil électrique est correctement réglé, la coupe s'effectuera avec précision en alignant un trait pré-marqué sur la plaque d'insertion.

Quand l'outil électrique quitte nos usines, la plaque d'insertion du côté droit se trouve à une position telle qu'elle n'entre pas en contact avec la lame à une coupe de biseau de 45°.

En conséquence, avant le travail, régler la plaque d'insertion du côté droit à l'angle de coupe voulu.

3. Vérification de la position de limite inférieure de la lame

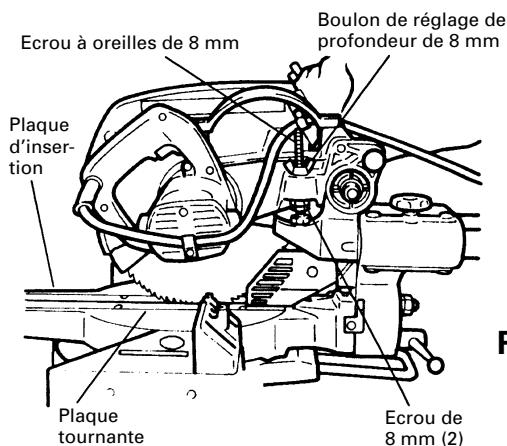


Fig. 10

Vérifier que la scie peut être abaissée de 12 à 13 mm (15/32" à 1/2") en-dessous de la plaque d'insertion.

Au besoin, la régler comme suit :

- (1) Desserrer l'écrou à oreilles de 8 mm et les deux écrous de 8 mm du boulon de réglage de la profondeur de 8 mm.
- (2) Tourner le boulon de réglage de la profondeur de 8 mm pour régler la position de limite inférieure.
- (3) Quand le réglage est terminé, serrer à fond les deux écrous de 8 mm et l'écrou à oreilles de 8 mm.

REMARQUE: Avant de serrer les deux écrous de 8 mm et l'écrou à oreilles de 8 mm, vérifier que la lame est réglée de façon à ne pas couper la plaque tournante.

4. Angle oblique

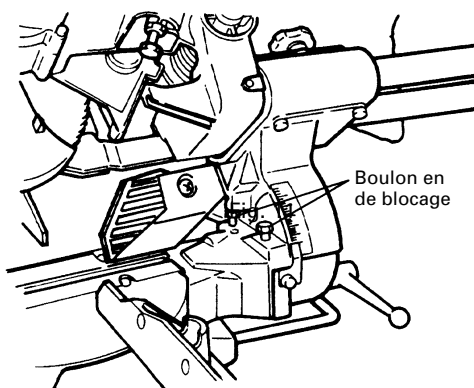


Fig. 11

Quand l'outil électrique quitte nos usines, il est réglé pour des angles de coupe de biseau de 0° et de 45° vers la gauche.

La position de l'angle de coupe de biseau se règle en desserrant le boulon en de blocage de 8 mm et en réglant sa hauteur.

(L'angle de coupe de biseau maximal est de 45°.)

5. Fixation de la pièce

⚠ AVERTISSEMENT: Toujours utiliser un dispositif de fixation ou l'étau pour fixer la pièce à la garde ; sinon, la pièce risque d'être éjectée de la table et de blesser quelqu'un.

6. Installation des supports ... (Accessoires en option)

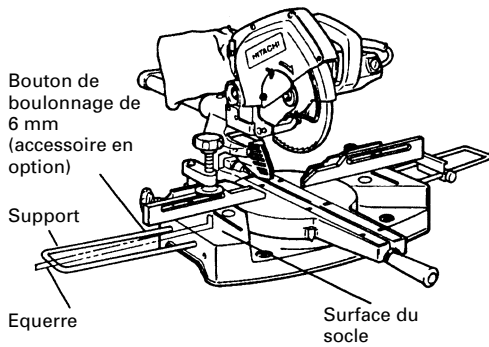


Fig. 12

Les supports permettent de fixer et de stabiliser les pièces longues pendant la coupe.

- (1) Comme indiqué à la Fig. 12, utiliser une équerre en acier pour aligner le bord supérieur des supports sur la surface du socle.
- (2) Après l'alignement, fixer les supports avec les boutons de boulonnage de 6 mm (accessoires en option).

7. Butée pour la précision de coupe ... (La butée est un accessoire en option.)

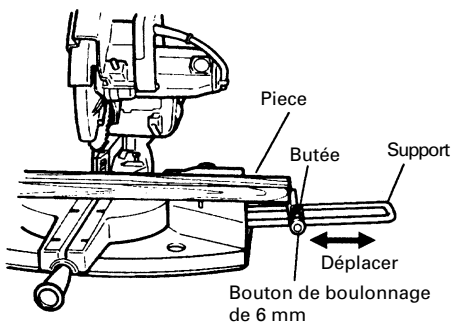


Fig. 13

La butée facilite la précision des coupes continues sur des longueurs de 265 à 430 mm (10-7/16" à 16-15/16").

Pour installer la butée, la fixer au support à l'aide du bouton de boulonnage de 6 mm comme indiqué à la Fig. 13.

8. Utilisation d'un trait d'encre

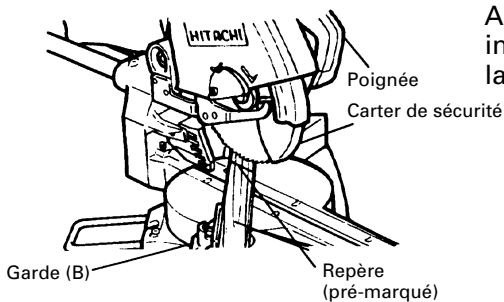


Fig. 14

Appuyer sur la poignée pour relever le carter de sécurité comme indiqué à la Fig. 14, et aligner le trait d'encre pré-marqué sur la lame.

⚠ ATTENTION : Ne jamais relever le carter de sécurité pendant que la lame tourne.

APPLICATIONS PRATIQUES

⚠ AVERTISSEMENT: * Pour éviter tout risque de blessure, ne jamais retirer ni installer la pièce sur la table pendant que l'outil fonctionne.

* Ne jamais amener les membres à l'intérieur de la ligne à côté du signe d'avertissement pendant que l'outil fonctionne. Cela pourrait être dangereux (voir Fig. 15.)

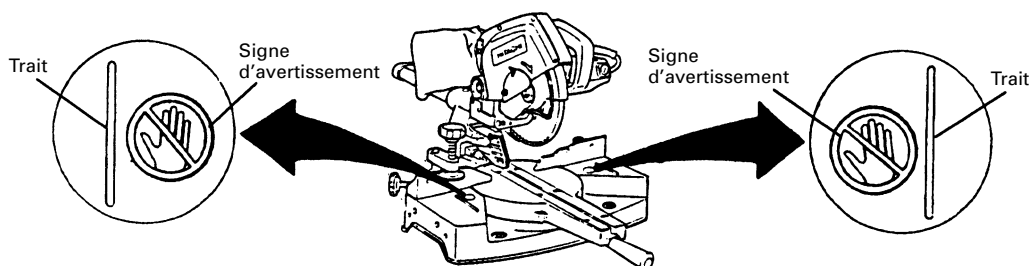


Fig. 15

1. Fonctionnement de l'interrupteur

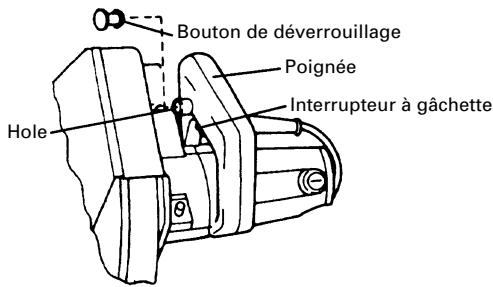


Fig. 16

Le bouton de déverrouillage de l'interrupteur à gâchette est conçu pour éviter tout fonctionnement inopiné pendant le travail. Pour pouvoir utiliser l'outil électrique, il faudra tout d'abord enfoncer à fond le bouton de déverrouillage dans l'orifice de la poignée comme indiqué sur la Fig. 16.

L'interrupteur à gâchette ne fonctionne pas si le bouton de déverrouillage n'est pas enfoncé.

Quand on relâche l'interrupteur à gâchette, l'outil s'arrête et le bouton de déverrouillage revient automatiquement à sa position initiale, ce qui verrouille l'interrupteur à gâchette.

⚠ AVERTISSEMENT: Toujours retirer le bouton de déverrouillage de la poignée quand on ne sert pas de l'outil, de sorte que l'outil électrique ne puisse pas être mis sous tension et que les personnes non qualifiées (en particulier les enfants) ne puissent pas l'utiliser. Si on laisse le bouton de déverrouillage sur la poignée, cela risque de provoquer de graves blessures. Le bouton de déverrouillage étant assez serré, il faudra peut-être le tourner vers la gauche ou vers la droite pendant le montage ou le démontage.

2. Utilisation de l'ensemble d'étau (Accessoire standard)

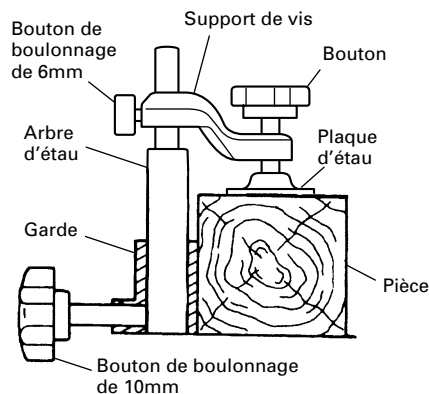


Fig. 17

- (1) L'ensemble d'étau se monte soit sur la garde gauche (garde (B)), soit sur la garde droite (garde (A)), en desserrant le bouton de boulonnage de 10mm.
- (2) Le support de vis se relève ou s'abaisse en fonction de la hauteur de la pièce en desserrant le bouton de boulonnage de 6mm. Après le réglage, resserrer fermement le bouton de boulonnage de 6mm et fixer le support de vis.
- (3) Tourner le bouton supérieur et fixer solidement la pièce en place (Fig. 17).

⚠ ATTENTION: Toujours vérifier que la tête du moteur (voir Fig. 1) n'entre pas en contact avec l'ensemble d'étau quand on l'abaisse pour la coupe. Si ce risque existe, desserrer légèrement le bouton de boulonnage de 10 mm et déplacer l'étau jusqu'à un point où il n'entrera pas en contact avec la lame. Par ailleurs, toujours s'assurer que l'ensemble d'étau est monté sur le côté droit (garde (A)) avant d'utiliser la scie pour des coupes mixtes (coupe d'onglet + coupe de biseau).

3. Utilisation de la garde de chariot (A) et de la garde de chariot (B) (Accessoire standard)

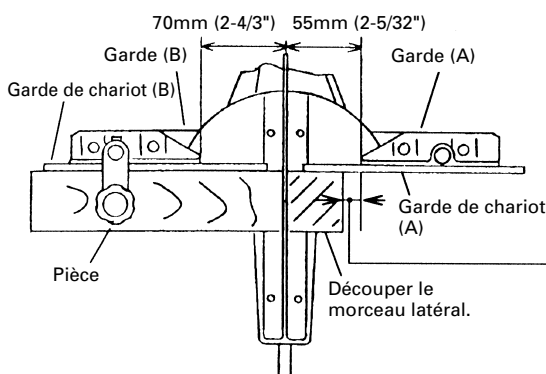


Fig. 18

La garde de chariot (A) et la garde de chariot (B) ont pour but de stabiliser les petites pièces comme indiqué sur la Fig. 18.

Il faut qu'il y ait un espace entre la garde (A) et la garde (B) et la pièce. Le bord de la pièce ne doit pas chevaucher la garde (A) et la garde (B)

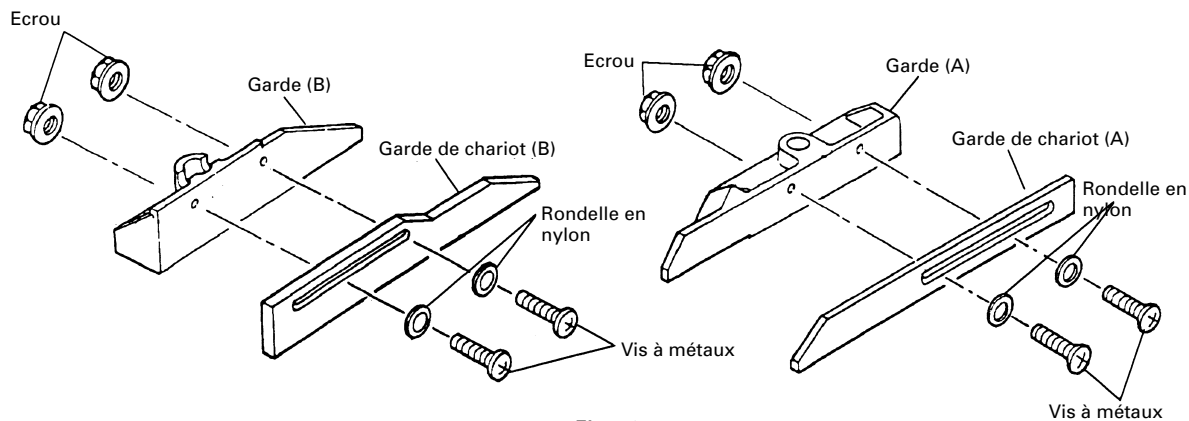


Fig. 19

- (1) Mettre la garde de chariot (A) et la garde de chariot (B) sur la garde (A) et la garde (B) du socle.
- (2) Pour fixer, utiliser les quatre vis à métaux avec des rondelles de nylon et des écrous comme indiqué à la Fig. 19.
- (3) Régler la garde de chariot (A) et la garde de chariot (B) de façon à stabiliser la pièce. La plage de réglage de la garde de chariot (A) et de la garde de chariot (B) va de 0 à 95 mm (0 à 3-3/4").
- (4) Vérifier que la garde de chariot (A) et la garde de chariot (B) sur la garde (A) et la garde (B) du socle sont solidement fixées avec quatre vis à métaux de façon que la garde de chariot (A) et la garde de chariot (B) ne bougent pas (voir Fig. 19).

⚠ ATTENTION: * Avant l'utilisation, vérifier que la lame n'entre pas en contact avec la garde de chariot (A) et la garde de chariot (B). Si elle les touche, réajuster la position de la garde de chariot (A) et de la garde de chariot (B).
 * La largeur maximale de coupe en travers (biseau 0°, onglet 0°) est de 296 mm (11-21/32").

4. Coupe

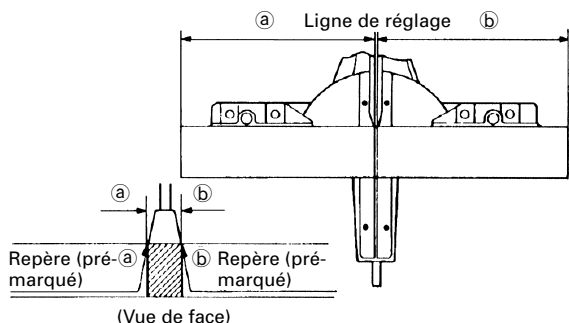


Fig. 20

- (1) Comme indiqué à la Fig. 21, la largeur de la lame est la largeur de coupe. En conséquence, glisser la pièce vers la droite (vue de la position de l'opérateur) pour obtenir la longueur **b**, et sur la gauche pour obtenir la longueur **a**.
- (2) Quand la lame a atteint sa vitesse maximale, abaisser doucement la poignée jusqu'à ce que la lame approche de la pièce.
- (3) Quand la lame touche la pièce, appuyer progressivement sur la poignée pour couper la pièce.
- (4) Quand la pièce est coupée à la longueur voulue, mettre l'outil électrique hors tension et attendre que la lame soit complètement arrêtée avant de relever la poignée en position complètement rentrée.

⚠ ATTENTION: * Une pression accrue sur la poignée n'augmentera pas la vitesse de coupe. Au contraire, une pression excessive risque de surcharger le moteur et/ou de réduire le rendement.

⚠ AVERTISSEMENT: * Vérifier que l'interrupteur à gâchette est coupé (OFF) et que la fiche d'alimentation est débranchée de la prise secteur quand on ne se sert pas de l'outil.
 * Toujours retirer le bouton de déverrouillage de la poignée et le ranger en lieu sûr après le travail.

5. Coupe de pièces minces (Coupe à pression simple)

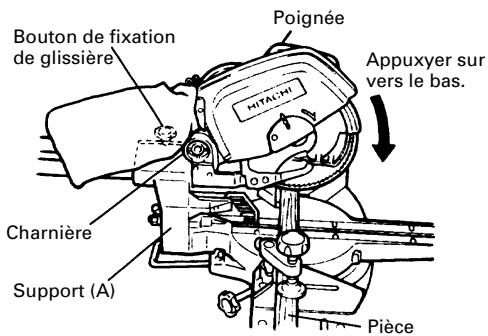


Fig. 21

Glisser la charnière sur le support (A), et serrer le bouton de fixation de glissière comme indiqué à la Fig. 21. Abaisser la poignée pour couper la pièce. Cette façon d'utiliser l'outil électrique permet de couper des pièces d'une section allant jusqu'à 65 mm (2-9/16").

6. Coupe de pièces larges (Coupe avec chariot)

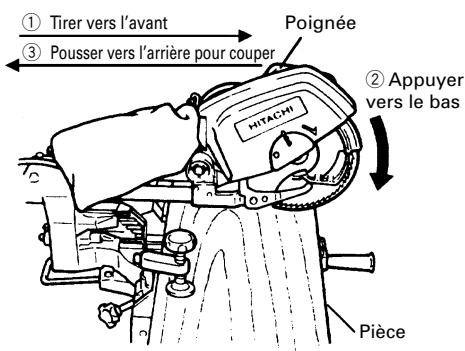


Fig. 22

- (1) Pièces d'une hauteur allant jusqu'à 65 mm (2-9/16") et d'une largeur allant jusqu'à 305 mm (12") : Desserrer le bouton de fixation de glissière et incliner la lame vers l'avant. Puis, appuyer sur la poignée et ramener la lame vers l'arrière pour couper la pièce comme indiqué à la Fig. 22. Cela facilitera la coupe des pièces d'une hauteur allant jusqu'à 65 mm (2-9/16") et d'une largeur allant jusqu'à 305 mm (12").
- (2) Pièces d'une hauteur allant jusqu'à 75 mm (2-15/16") et d'une largeur allant jusqu'à 280 mm (11") : Les pièces d'une hauteur allant jusqu'à 75 mm (2-15/16") et d'une largeur allant jusqu'à 280 mm (11") se coupent de la même façon que décrit au paragraphe 6 - (1) ci-dessus.

- ⚠ ATTENTION:**
- * Si l'on appuie trop fort ou de biais sur la poignée, la lame risque de vibrer pendant la coupe, ce qui laissera des marques de coupe peu esthétiques sur la pièce et réduira la qualité de coupe. On abaissera donc la poignée doucement et avec soin.
 - * Lors d'une coupe avec chariot, ramener délicatement la poignée (vers l'arrière) d'un mouvement régulier et ininterrompu. Le fait d'arrêter la poignée pendant la coupe laissera des marques de coupe peu esthétiques sur la pièce.

- ⚠ AVERTISSEMENT:**
- * Lors d'une coupe avec chariot, procéder comme indiqué à la Fig. 22. Une coupe avec chariot vers l'avant (vers l'opérateur) serait très dangereuse car la lame pourrait effectuer un retour vers le haut. En conséquence, toujours déplacer la poignée loin de l'opérateur.
 - * Toujours ramener le chariot complètement vers l'arrière après chaque coupe en travers de façon à réduire tout risque de blessure.
 - * Ne jamais mettre la main sur la poignée latérale pendant une coupe car la lame vient tout près de la poignée latérale lorsque la tête du moteur est abaissée.

7. Procédure de coupe de biseau

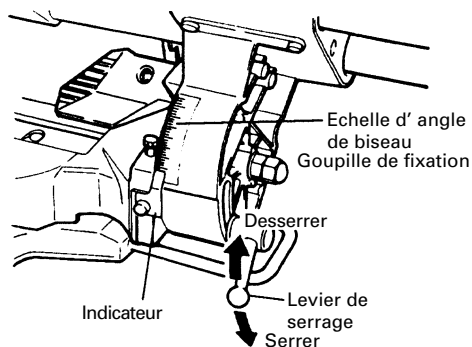


Fig. 23

- (1) Desserrer le levier de serrage et incliner la lame vers la gauche ou vers la droite.
- (2) Régler l'angle de biseau à l'angle voulu tout en regardant l'échelle d' angle de biseau et l'indicateur, puis fixer le levier de serrage.
- (3) Effectuer les opérations des paragraphes 5 et 6 ci-dessus. Pour les dimensions de coupe en biseau d'une hauteur maximale de 45 mm (1-25/32") et d'une largeur maximale de 305 mm (12").

⚠ AVERTISSEMENT: Quand on fixe la pièce sur le côté gauche de la lame, la section tronçonnée courte vient reposer sur le côté droit de la lame. Toujours couper l'alimentation et attendre que la lame se soit complètement arrêtée avant de relever la poignée de la pièce.

Si on relève la poignée alors que la lame tourne toujours, la section tronçonnée se coincera contre la lame et des fragments s'éparpilleront, ce qui serait dangereux.

Si l'on interrompt la coupe de biseau à mi-chemin, recommencer la coupe après avoir ramené la tête du moteur à sa position d'origine.

Si l'on commence à mi-chemin sans avoir ramené la tête, le carter de sécurité se coincera dans l'encoche de coupe de la pièce et il touchera la lame.

8. Procédure de coupe d'onglet

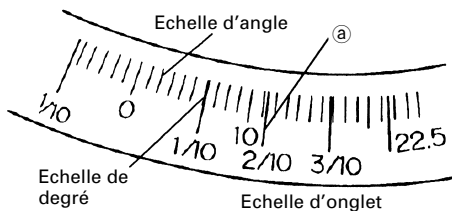


Fig. 24

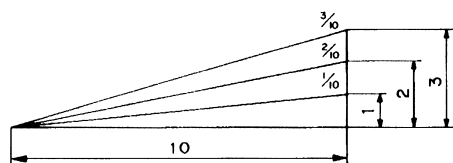


Fig. 25

- (1) Desserrer la poignée latérale et régler la plaque tournante jusqu'à ce que l'indicateur soit aligné sur le réglage voulu de l'échelle d'onglet (Fig. 26).
- (2) Resserrer la poignée latérale pour fixer la plaque tournante à la position voulue.
- (3) L'échelle d'onglet (Fig. 24) indique à la fois l'angle de coupe de l'échelle d'angle et le degré de l'échelle de degré.
- (4) Le degré, qui est le rapport de la hauteur sur le socle de la section triangulaire à retirer, pourra être utilisé pour régler l'échelle d'onglet à la place de l'angle de coupe, au besoin (voir Fig. 25).
- (5) En conséquence, pour couper une pièce à un angle de 2/10, régler l'indicateur sur la position (a), comme indiqué à la Fig. 24.

REMARQUE: * Des crans positifs sont prévus à droite et à gauche du réglage central de 0°, à 15°, 22,5°, 31,6°, 35,3° et 45°.

Vérifier que l'échelle d'onglet et l'extrémité de l'indicateur sont alignés correctement.

* Le fonctionnement de la scie avec l'échelle d'onglet et l'indicateur non alignés, ou avec la poignée latérale insuffisamment serrée, donnera une mauvaise précision.

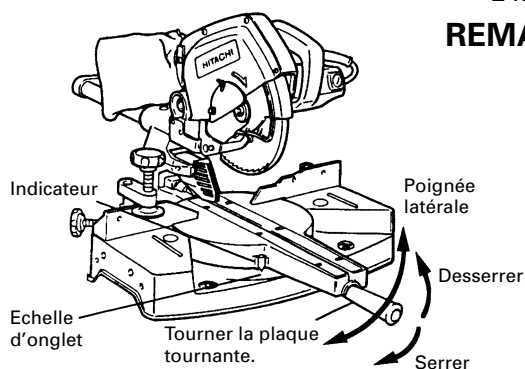


Fig. 26

9. Procédures de coupe mixte

La coupe mixte s'effectue en suivant les instructions de 7 et 8 ci-dessus. A un angle de biseau de 45° et à un angle d'onglet de 45°, il est possible de couper une pièce de 45 mm de hauteur et de 220 mm de largeur maximum.

⚠ ATTENTION: Toujours fixer la pièce avec le côté droit pour une coupe mixte. Ne jamais faire tourner la plaque tournante vers la droite pour une coupe mixte, car la lame pourrait entrer en contact avec le dispositif de serrage ou l'étau qui maintient la pièce, ce qui pourrait provoquer des blessures physiques et des dommages matériels.

10. Procédures de coupe de corniche complexe

La Fig. 27 montre deux types de corniche complexe courants ayant des angles de 38° et de 45°. Pour les montures de corniche complexe, voir la Fig. 28.

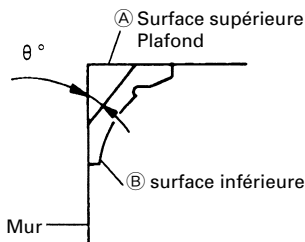


Fig. 27

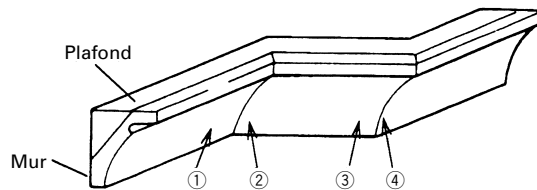


Fig. 28

Le tableau ci-dessous montre les réglages d'angle d'onglet et d'angle de biseau qui conviennent le mieux pour les deux types de corniche complexe.

REMARQUE: A des fins de commodité, des crans positifs sont prévus à la fois pour les positions de réglage d'onglet (31, 6° et 35, 30° à gauche et à droite) et les positions de réglage de biseau (30° et 33, 9° à gauche et à droite).

Réglage d'une coupe d'onglet

Si la plaque tournante est réglée sur l'un des angles décrits, déplacer la poignée latérale de réglage de la plaque tournante légèrement vers la droite ou vers la gauche pour stabiliser la position et aligner correctement l'échelle d'onglet et l'extrémité de l'indicateur avant de commencer le travail.

Réglage d'une coupe de biseau

Déplacer la poignée de la section de biseau vers la droite ou vers la gauche et vérifier que la position est stable et que l'échelle d'angle et l'extrémité de l'indicateur sont alignés correctement. Puis, serrer le levier de serrage.

Type de corniche complexe	Pour découper une corniche complexe aux positions ① et ④ de la Fig. 28.		Pour découper une corniche complexe aux positions ② et ③ de la Fig. 28.	
	Réglage d'angle d'onglet	Réglage d'angle de biseau	Réglage d'angle d'onglet	Réglage d'angle de biseau
Type 45°	35,3° vers la droite (repère ↓)	30° vers la gauche (repère ↓)	35,3° vers la droite (repère ↓)	30° vers la gauche (repère ↓)
Type 38°	31,6° vers la droite (repère ↓)	33,9° vers la gauche (repère ↓)	31,6° vers la droite (repère ↓)	33,9° vers la gauche (repère ↓)

(1) Réglage de coupe en corniche complexe aux positions ① et ④ de la Fig. 28 (voir Fig. 29 ; incliner la tête vers la gauche) :

- ① Tourner la plaque tournante vers la droite et régler l'angle d'onglet comme suit :
 - * Pour des corniches complexes de type 45° : 35,3° (repère ↓)
 - * Pour des corniches complexes de type 38° : 31,6° (repère ↓)
- ② Incliner la tête vers la gauche et régler l'angle de biseau comme suit :
 - * Pour des corniches complexes de type 45° : 30° (repère ↓)
 - * Pour des corniches complexes de type 38° : 33,9° (repère ↓)
- ③ Disposer la corniche complexe de façon que la surface inférieure (A sur la Fig. 27) touche la garde comme indiqué à la Fig. 30.

(2) Réglage de coupe en corniche complexe aux positions ② et ③ de la Fig. 28 (voir Fig. 31 ; incliner la tête vers la gauche) :

- ① Tourner la plaque tournante vers la droite et régler l'angle d'onglet comme suit :
 - * Pour des corniches complexes de type 45° : 35,3° (repère ↓)
 - * Pour des corniches complexes de type 38° : 31,6° (repère ↓)
- ② Incliner la tête vers la gauche et régler l'angle de biseau comme suit :
 - * Pour des corniches complexes de type 45° : 30° (repère ↓)
 - * Pour des corniches complexes de type 38° : 33,9° (repère ↓)
- ③ Disposer la corniche complexe de façon que la surface supérieure (B sur la Fig. 27) touche la garde comme indiqué à la Fig. 32.

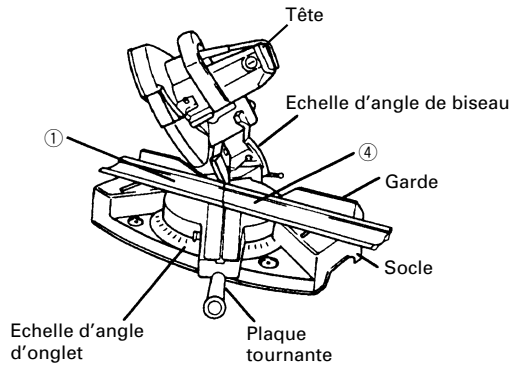


Fig. 29

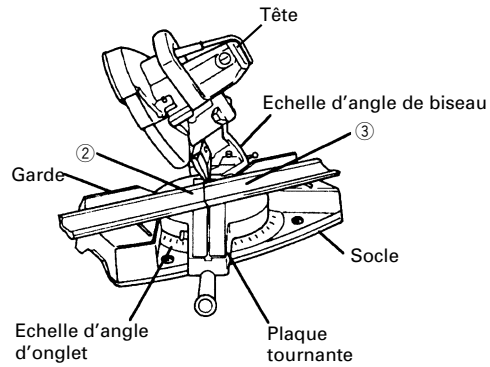


Fig. 31

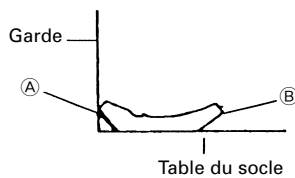


Fig. 30

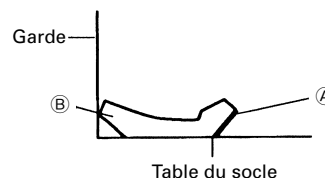


Fig. 32

11. Procédures de coupe d'encoche

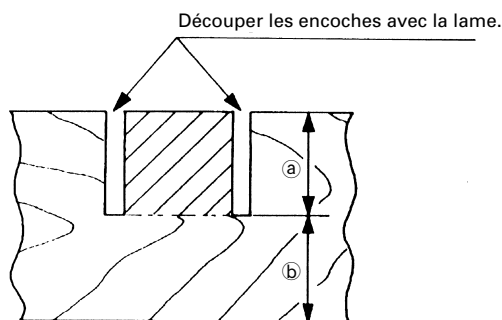


Fig. 33

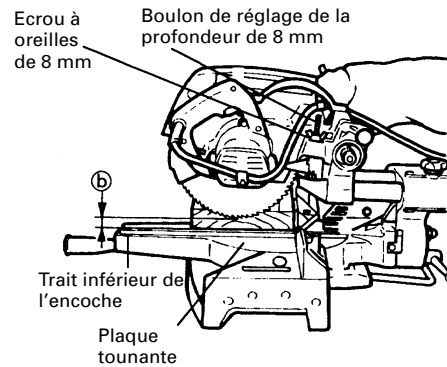


Fig. 34

Les encoches dans les pièces se découpent comme indiqué à la Fig. 33 en réglant le boulon de réglage de la profondeur de 8 mm.

Procédure de réglage de la profondeur de coupe :

- (1) Desserrer l'écrou à oreilles de 8 mm et tourner le boulon de réglage de la profondeur de 8 mm à la main.
- (2) Régler la profondeur de coupe voulue en réglant la distance entre la lame et la surface du socle (voir B à la Fig. 33).
- (3) Quand le réglage est terminé, bien resserrer l'écrou à oreilles de 8 mm.

REMARQUE: Quand on découpe une seule encoche à l'une des extrémités de la pièce, retirer la section inutile avec un ciseau.

12. Coupe de matériaux qui se déforment facilement, par exemple une feuille d'aluminium

Les matériaux comme l'aluminium en feuille se déforment facilement quand ils sont serrés trop fort dans un étau. Cela ne permettra pas une bonne coupe et risque de provoquer une surcharge du moteur.

Pour couper ce genre de matériaux, utiliser une planche de bois pour protéger la pièce comme indiqué à la Fig. 35.

Pour couper de l'aluminium, enduire la lame d'une huile de coupe (non-combustible) pour obtenir une coupe régulière et un bon fini.

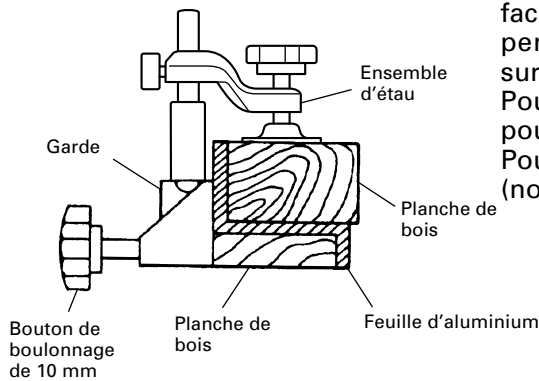


Fig. 35

13. Utilisation du sac à copeaux (Accessoire standard)

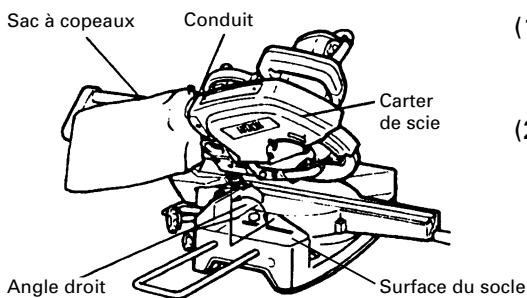


Fig. 36

(1) Si le sac à copeaux est plein, les copeaux sortent du sac quand la lame tourne. Vérifier le sac à copeaux périodiquement et le vider avant qu'il ne soit plein.

(2) Lors d'une coupe de biseau ou d'une coupe mixte, fixer le sac à copeaux à angle droit sur la surface du socle comme indiqué à la Fig. 36.

⚠ ATTENTION: Vider le sac à copeaux fréquemment pour éviter que le conduit et le carter de sécurité ne soient bouchés.
Les copeaux s'accumulent plus rapidement lors d'une coupe de biseau.

INSTALLATION ET RETRAIT DE LA LAME

⚠ AVERTISSEMENT: Pour éviter tout risque d'accident ou de blessure, toujours couper l'interrupteur à gâchette et débrancher la fiche de la prise secteur avant de retirer ou d'installer la lame.

1. Installation de la lame (Fig. 37-a et Fig. 37-b)

(1) Appuyer sur le verrou d'axe et desserrer le boulon à l'aide de la clé à douille de 10 mm. Le boulon ayant un filetage à gauche, le tourner vers la droite pour le desserrer, comme indiqué à la Fig. 37-b.

REMARQUE : S'il n'est pas facile d'enfoncer le verrou d'axe pour verrouiller l'axe, tourner le boulon à l'aide de la clé à douille de 10 mm tout en appuyant sur le verrou d'axe. L'axe de la lame est verrouillé quand le verrou d'axe est enfoncé.

(2) Retirer le boulon et la rondelle (C).

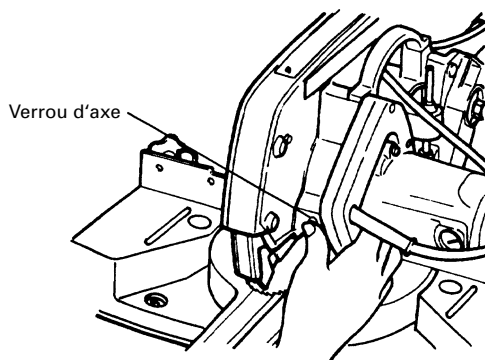


Fig. 37-a

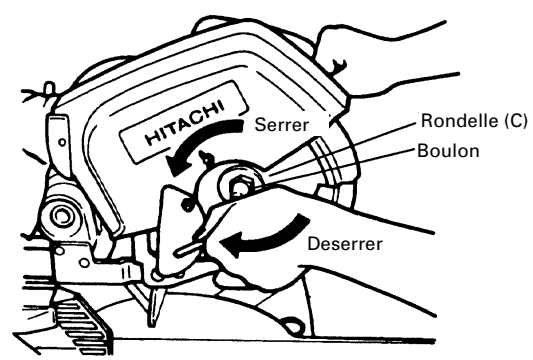


Fig. 37-b

(3) Soulever le carter de sécurité et installer la lame.

⚠ AVERTISSEMENT: Pour monter la lame, vérifier que le repère de l'indicateur de rotation de la lame et le sens de rotation (voir Fig. 1) du carter de scie correspondent.

(4) Bien nettoyer la rondelle (C) et le boulon, et les faire passer sur l'axe de la lame.

(5) Appuyer sur le verrou d'axe et serrer le boulon en le tournant vers la gauche à l'aide de la clé à douille de 10 mm. comme indiqué à la Fig. 37-b.

⚠ ATTENTION: * Vérifier que le verrou d'axe est revenu en position rentrée après le retrait ou l'installation de la lame.
* Serrer le boulon de façon qu'il ne se desserre pas pendant le fonctionnement. Vérifier que le boulon est solidement vissé avant de mettre l'outil électrique en marche.

2. Retrait de la lame

Démonter la lame en procédant dans l'ordre inverse de l'installation décrite au paragraphe 1 ci-dessus. La lame s'enlève facilement si le carter de sécurité est relevé.

⚠ ATTENTION: Ne jamais tenter d'installer des lames de scie de plus de 216 mm (8-1/2") de diamètre. Toujours installer des lames de scie d'un diamètre égal ou inférieur à 216 mm (8-1/2").

ENTRETIEN ET INSPECTION

⚠ AVERTISSEMENT: Pour éviter tout risque d'accident ou de blessure, toujours vérifier que l'interrupteur à gâchette est coupé et que la fiche d'alimentation est débranchée de la prise secteur avant d'entretenir ou d'inspecter l'outil.

1. Inspection de la lame

Toujours remplacer la lame dès qu'elle présente des signes d'usure ou de dommage.

Une lame endommagée risque de provoquer des blessures, et une lame usée peut réduire le rendement et provoquer une surcharge du moteur.

⚠ ATTENTION: Ne jamais utiliser de lame émoussée. Si la lame est émoussée, sa résistance à la pression de la main appliquée par la poignée de l'outil a tendance à augmenter, ce qui rend le fonctionnement de l'outil électrique peu sûr.

2. Réglage du tuyau de chariot s'il est relâché

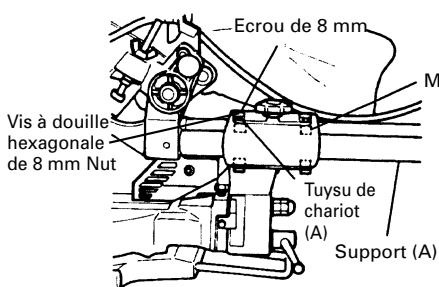


Fig. 38

Quand l'outil électrique a fonctionné pendant longtemps, le tuyau de chariot (A) et le manchon risquent de se relâcher sous l'effet des vibrations. Ne jamais faire fonctionner l'outil si l'un de ses composants est lâche de façon à éviter tout risque de blessure.

(1) Desserrer l'écrou de 8 mm et serrer les quatre vis de fixation à douille hexagonale de 8 mm jusqu'à ce que l'outil électrique fonctionne en douceur et sans que les composants se desserrent.

(2) Serrer l'écrou de 8 mm à fond après avoir terminé ces réglages.

3. Inspecter les balais carbone (Fig. 39 et Fig. 40)

Les balais carbone du moteur sont des pièces consommables.

Si les balais en carbone sont usés, le moteur risque d'avoir des anomalies.

En conséquence, inspecter périodiquement les balais en carbone et les remplacer lorsqu'ils ont atteint la limite d'usure comme indiqué à la Fig. 39.

Par ailleurs, maintenir les balais carbone propres de façon qu'ils glissent régulièrement dans les porte-balai. Les balais carbone sont faciles à retirer ; pour cela, retirer les têtes porte-balai (voir Fig. 40) avec un tournevis à tête plate (signe moins).

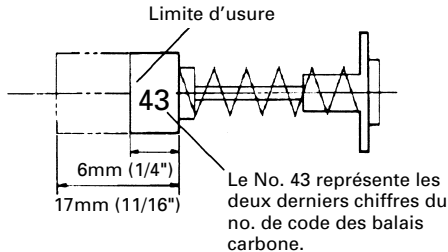


Fig. 39

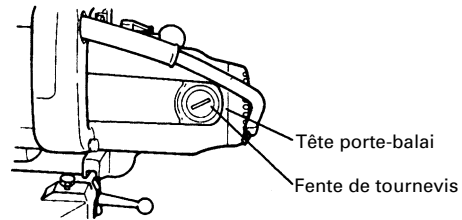


Fig. 40

4. Inspection des vis de montage

Inspecter régulièrement chaque composant de l'outil électrique pour voir s'il n'est pas lâche.

Resserrer les vis de fixation des pièces lâches.

⚠ AVERTISSEMENT: Pour éviter tout risque de blessure, ne jamais faire fonctionner l'outil électrique si certains de ses composants sont lâches.

5. Vérifier si le garde de sécurité fonctionne correctement.

Avant chaque utilisation de l'outil, tester le garde de sécurité (voir Fig. 7) pour s'assurer qu'il fonctionne correctement et en douceur.

Ne jamais utiliser l'outil si le garde de sécurité ne fonctionne pas correctement et s'il n'est pas en bon état mécanique.

6. Remisage

Quand le travail est terminé, vérifier que l'on a bien effectué toutes les opérations suivantes :

- (1) Interrupteur à gâchette en position OFF,
- (2) Fiche d'alimentation débranchée de la prise secteur,
- (3) Bouton de déverrouillage retiré et rangé en lieu sûr.

Si l'on ne prévoit pas de se servir de l'outil, le ranger dans un lieu sec et hors de portée des enfants.

7. Poignée (pour le transport)

Pour le transport, tirer d'une main sur la poignée qui est rentrée dans le réducteur, et tenir le socle de la section de prise de l'extrémité gauche avec l'autre main pour transporter l'outil.

REMARQUE: Avant de transporter l'outil, placer la lame contre la protection et serrer le bouton de fixation de glissière pour empêcher tout glissement.

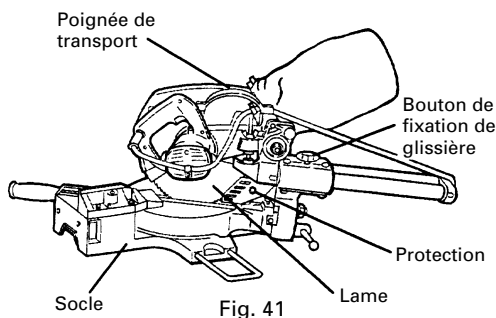


Fig. 41

8. Graissage

Graisser les surfaces de glissement suivantes une fois par mois pour maintenir l'outil électrique en bon état de marche pendant longtemps (voir Fig. 1 et Fig. 2). Il est recommandé d'utiliser une huile de machine.

Points de graissage :

- *Section rotative de la charnière
- *Section rotative de l'ensemble d'étau
- *Section coulissante du tuyau de chariot (A) et du tuyau de chariot (B)

9. Nettoyage

Enlever périodiquement les copeaux et autres débris de la surface de l'outil électrique avec un chiffon humide et savonneux. Pour éviter tout mauvais fonctionnement du moteur, le protéger de tout contact avec l'huile ou l'eau.

SERVICE APRÈS-VENTE ET RÉPARATIONS

Tous les outils électriques de qualité finissent un jour par avoir besoin de réparations ou de remplacement de pièces sous l'effet d'une usure normale. Pour garantir que seules des pièces de rechange agréées seront utilisées et que le système de double isolation sera protégé, il faudra confier toutes les opérations d'entretien (autres que l'entretien de routine) exclusivement à un SERVICE APRES-VENTE D'OUTILS ELECTRIQUES HITACHI AGREE.

REMARQUE: Les spécifications sont sujettes à modification sans obligations de la part d'HITACHI.

INFORMACIÓN IMPORTANTE

Antes de utilizar o realizar cualquier trabajo de mantenimiento de esta herramienta eléctrica, lea y comprenda todas las instrucciones de operación, las precauciones de seguridad, y las advertencias de este Manual de instrucciones.

La mayoría de los accidentes producidos en la operación y el mantenimiento de una herramienta eléctrica se deben a la falta de observación de las normas o precauciones de seguridad. Los accidentes normalmente podrán evitarse reconociendo una situación potencialmente peligrosa a tiempo y siguiendo los procedimientos de seguridad apropiados.

Las precauciones básicas de seguridad se describen en la sección "SEGURIDAD" de este Manual de instrucciones y en las secciones que contienen las instrucciones de operación y mantenimiento.

Para evitar lesiones o el daño de la herramienta eléctrica, los riesgos están identificados con ADVERTENCIAS en dicha herramienta y en este Manual de instrucciones.

No utilice nunca esta herramienta eléctrica de ninguna forma no específicamente recomendada por HITACHI a menos que usted se haya asegurado de que la utilización planeada será segura para usted y otras personas.

SIGNIFICADO DE LAS PALABRAS CLAVE

⚠ ADVERTENCIA: indica situaciones potencialmente peligrosas que, si se ignoran, pueden resultar en lesiones serias.

⚠ PRECAUCIÓN: indica situaciones potencialmente peligrosas que, si se ignoran, pueden resultar en lesiones moderadas, o que pueden causar averías en la herramienta eléctrica.

NOTA: acentúa información esencial.

SEGURIDAD

NORMAS DE SEGURIDAD PARA LAS HERRAMIENTAS ELÉCTRICAS

LEA TODAS LAS ADVERTENCIAS E INSTRUCCIONES DE OPERACIÓN DE ESTE MANUAL ANTES DE UTILIZAR ESTA HERRAMIENTA O DE REALIZAR TRABAJOS DE MANTENIMIENTO EN LA MISMA.

⚠ ADVERTENCIA: Cuando utilice esta herramienta eléctrica, tome todas las precauciones necesarias para reducir al mínimo el riesgo de descargas eléctricas y demás lesiones. En particular, observe siempre las normas de seguridad siguientes:

- 1. MANTENGA SIEMPRE LOS PROTECTORES EN SU LUGAR,** y en perfectas condiciones de trabajo.
- 2. ANTES DE PONER EN FUNCIONAMIENTO LA HERRAMIENTA, QUÍTELE TODAS LAS CHAVETAS Y LLAVES DE AJUSTE.** Antes de conectar la alimentación de la herramienta eléctrica, confirme que todas las chavetas y llaves de ajuste estén extraídas de la misma.
- 3. MANTENGA SIEMPRE EL ÁREA DE TRABAJO LIMPIA.** Evite lesiones debidas al desorden del área y el banco de trabajo.
- 4. NO UTILICE NUNCA LA HERRAMIENTA EN AMBIENTES PELIGROSOS.** No utilice nunca la herramienta eléctrica en lugares húmedos, y no la exponga nunca a la humedad. Mantenga siempre bien iluminada el área de trabajo.
- 5. NO PERMITA QUE LOS NIÑOS NI OTRAS PERSONAS ENTREN EN EL ÁREA DE TRABAJO.** Mantenga a las personas (especialmente los niños) alejadas del área de trabajo. Desenchufe siempre las herramientas desatendidas y bloquee el área de trabajo instalando cerraduras en las puertas y seguros en los interruptores principales. Cuando no vaya a utilizar una herramienta, quítele el botón de desbloqueo y guárdela en un lugar seguro.
- 6. NO FUERCE NUNCA LA HERRAMIENTA.** La herramienta trabajará mejor y con mayor seguridad si la utiliza con el régimen para el que fue diseñada.

- 7. UTILICE SIEMPRE LAS HERRAMIENTAS CORRECTAS.** No fuerce nunca una herramienta ni un accesorio para realizar un trabajo para el que no se haya diseñado.
- 8. ANTES DE TRABAJAR CON LA HERRAMIENTA, VÍSTASE LA ROPA ADECUADA.** No utilice nunca ropa floja, guantes, corbatas, collares, anillos, brazaletes, ni demás joyas que puedan quedar atrapados en las partes móviles. Utilice siempre calzado antideslizable, preferiblemente con punteras reforzadas con acero. Si tiene el pelo largo, recoja y cúbrelo.
- 9. ANTES DE UTILIZAR LA HERRAMIENTA, UTILICE GAFAS PROTECTORAS PARA EVITAR DAÑAR SUS OJOS.** Las gafas normales no ofrecen protección suficiente porque las lentes no están hechas de cristal seguro. Además, utilice una careta como protección adicional, y utilice una máscara contra el polvo si la operación de corte produce polvo.
- 10. ASEGURE SIEMPRE LA PIEZA DE TRABAJO EN LA ESCUADRA DE GUÍA O EN LA MESA.** Utilice abrazaderas o un tornillo de carpintero para sujetar la pieza de trabajo. Es más seguro utilizar que utilizar su mano, porque podrá usar ambas para manejar la herramienta.
- 11. NO SE EXTRALIMITE NUNCA.** Cuando trabaje con la herramienta, mantenga en todo momento el equilibrio.
- 12. MANTENGA SIEMPRE LAS HERRAMIENTAS EN PERFECTAS CONDICIONES.** Guarde siempre las herramientas afiladas y limpias para que rindan al máximo y ofrezcan la mayor seguridad. Siga siempre las instrucciones sobre lubricación y cambio de accesorios de las herramientas.
- 13. DESCONECTE SIEMPRE LA HERRAMIENTA** antes de realizar la operación de mantenimiento y de cambiar la hoja de sierra y demás accesorios.
- 14. TENGA CUIDADO CON LA PUESTA EN FUNCIONAMIENTO ACCIDENTAL AL ENCHUFAR LA HERRAMIENTA.** Antes de insertar el enchufe de alimentación en un tomacorriente, cerciórese de que el interruptor esté en la posición OFF.
- 15. CON ESTA HERRAMIENTA UTILICE SIEMPRE SOLAMENTE LOS ACCESORIOS RECOMENDADOS.** Con respecto a la descripción sobre los accesorios recomendados, consulte el manual de instrucciones. Para evitar lesiones, con esta herramienta, utilice solamente los accesorios recomendados.
- 16. NO SE SUBA NUNCA SOBRE LA HERRAMIENTA.** Evite lesiones serias no inclinando la herramienta ni tocando accidentalmente la hoja de sierra.
- 17. ANTES DE UTILIZAR LA HERRAMIENTA, COMPRUEBE SI TIENE PARTES DAÑADAS.** Compruebe siempre si el protector y los demás componentes están dañados antes de utilizar la herramienta para asegurarse de que funcionen adecuadamente. Compruebe si todas las partes móviles están adecuadamente alineadas, no están dobladas, y no se encuentran en otras condiciones que puedan afectar la operación apropiada. Antes de utilizar la herramienta, repare o reemplace siempre cualquier protector o componente dañado.
- 18. ANTES DE UTILIZAR LA HERRAMIENTA, COMPRUEBE SIEMPRE EL SENTIDO DE GIRO DE LA HOJA DE SIERRA.** Alimente siempre la pieza de trabajo en la herramienta en sentido contrario al de giro de la hoja de sierra a fin de evitar posibles lesiones.
- 19. NO DEJE LA HERRAMIENTA DESATENDIDA EN FUNCIONAMIENTO. DESCONECTE LA ALIMENTACION.** No deje la herramienta mientras no se haya parado completamente. Cuando no vaya a utilizar la herramienta, desenchufe su cable de alimentación.
- 20.** Esta herramienta no ha sido diseñada para aplicaciones de producción en masa, y no deberá utilizarse para ello.
- 21.** Cuando tenga que reemplazar esta herramienta, utilice solamente las piezas de reemplazo autorizadas.
- 22.** Aplique solamente 115 voltios CA a esta unidad. Si le aplicase una tensión incorrecta, o tensión de CC, la HERRAMIENTA ELÉCTRICA podría funcionar incorrectamente y causar lesiones o daños a la propia herramienta.
- 23.** No levante nunca la hoja de sierra de la pieza de trabajo mientras no se haya parado completamente.
- 24.** Utilice siempre soportes para piezas de trabajo largas que sobrepasen la longitud de la mesa de la sierra compuesta deslizable.
- 25.** Después de cada operación de corte en cruz, devuelva el carro a la posición completamente posterior a fin de reducir el riesgo de lesiones.
- 26. ENCHUFES POLARIZADOS** Para reducir el riesgo de descargas eléctricas, este equipo posee un enchufe polarizado (una cuchilla del mismo es más amplia que la otra). Este enchufe solamente encajará de una forma en un tomacorriente polarizado. Si el enchufe no encaja en el tomacorriente, póngase en contacto con un electricista cualificado para que le instale el tomacorriente apropiado. No cambie nunca el enchufe del cable de alimentación.

Normas de seguridad específicas para la utilización de esta herramienta

⚠ ADVERTENCIA: Las instrucciones de operación específicas siguientes deberán observarse cuando se utilice esta HERRAMIENTA ELÉCTRICA a fin de evitar lesiones.

LO QUE DEBERÁ HACERSE

TENGA SIEMPRE EN CUENTA LAS NORMAS SIGUIENTES PARA PODER UTILIZAR CON SEGURIDAD ESTA HERRAMIENTA:

1. Antes de intentar utilizar esta HERRAMIENTA ELÉCTRICA, lea este manual y familiarícese con las normas de seguridad y las instrucciones de operación.
2. Antes de utilizar la HERRAMIENTA ELÉCTRICA, confirme que esté limpia.
3. Para utilizar la HERRAMIENTA ELÉCTRICA, vístase ropa ajustada, calzado no deslizante (preferiblemente con punteras reforzadas con acero) y gafas protectoras.
4. Maneje la HERRAMIENTA ELÉCTRICA con cuidado. Si la HERRAMIENTA ELÉCTRICA se cae o se golpea contra un objeto duro, puede deformarse o rajarse, o sufrir otros daños.
5. Si nota cualquier anomalía, deje de utilizar inmediatamente la sierra.
6. Antes de utilizar la herramienta, compruebe si todos los componentes están montados adecuadamente y con seguridad.
7. Cuando reemplace la hoja de sierra, confirme que las rpm de la nueva sean correctas para utilizarse con esta unidad.
8. Antes de realizar cualquier trabajo de mantenimiento o ajuste, desconecte la alimentación y espere hasta que la hoja de sierra se haya parado completamente.
9. Durante la operación de corte, empuje siempre la hoja de sierra alejándola de usted.
10. Sujete o asegure la pieza de trabajo en la escuadra de guía, ya que de lo contrario podría salirse de la mesa y causar lesiones serias.
11. Durante el corte de ingletes o en bisel, espere siempre hasta que la hoja de sierra se haya parado completamente antes de levantarla.
12. Realice siempre una prueba antes de intentar utilizar una hoja de sierra nueva.
13. Maneje siempre la hoja de sierra con cuidado con la desmonte o monte.
14. Antes de utilizar la sierra, compruebe siempre si la pieza de trabajo está exenta de puntas y demás objetos extraños.
15. Mantenga siempre las manos alejadas del trayecto de la hoja de sierra.
16. Confirme siempre que las cubiertas de seguridad estén en el sitio apropiado antes de utilizar la sierra.
17. Antes de intentar cortar, confirme siempre que la cubierta de seguridad no obstruya el movimiento de deslizamiento de la sierra.
18. Inspeccione periódicamente el cable de alimentación de la herramienta.
19. Antes de poner en funcionamiento la herramienta, confirme si la longitud del cable de alimentación y de los cables prolongadores, si va a utilizarlos, es apropiada.
20. Antes de utilizar la herramienta, confirme que los orificios de ventilación del motor estén completamente abiertos.
21. Antes de comenzar a cortar, espere siempre hasta que el motor haya alcanzado la velocidad plena.
22. Mantenga siempre las empuñaduras secas, limpias, y exentas de aceite y grasa. Cuando utilice la herramienta, sujétela firmemente.
23. Para piezas de trabajo que sobrepasen la mesa de la sierra compuesta deslizable, utilice soportes.
24. Utilice siempre la herramienta después de haberse asegurado de que la pieza de trabajo esté adecuadamente fijada con un tornillo de carpintero.
25. Utilice siempre la escuadra de guía deslizable (A) y la escuadra de guía deslizable (B) si la pieza de trabajo es demasiado pequeña para fijarse en el escuadra de3 guía (A) y la escuadra de guía (B) de la base.
26. El manual de instrucciones suministrado con la herramienta indica al usuario que asegure la herramienta a la estructura de soporte si, durante la operación normal, la herramienta tiende a volcarse, deslizarse, o moverse por la superficie de soporte.

LO QUE NO DEBERÁ HACERSE

NO VIOLE NUNCA LAS NORMAS SIGUIENTES PARA PODER UTILIZAR CON SEGURIDAD ESTA HERRAMIENTA:

1. No utilice nunca la HERRAMIENTA ELÉCTRICA a menos que haya comprendido completamente las instrucciones de operación contenidas en este manual.
2. No deje nunca la HERRAMIENTA ELÉCTRICA desatendida sin haber desenchufado antes el cable de alimentación.
3. No utilice nunca la HERRAMIENTA ELÉCTRICA cuando esté cansado, después de haber ingerido medicamentos, o cuando haya tomado bebidas alcohólicas.
4. No utilice nunca la HERRAMIENTA ELÉCTRICA para aplicaciones no especificadas en este manual.
5. No utilice nunca la herramienta con ropa floja, corbata, ni joyas, ni si haberse cubierto el pelo para evitar que puedan quedar atrapados en las partes móviles.
6. No acerque las manos a la hoja de sierra.
7. No toque nunca las partes móviles, incluyendo la hoja de sierra, mientras esté utilizando la sierra.
8. No quite nunca ningún dispositivo de seguridad ni los protectores de la hoja de sierra, ya que la utilización de la herramienta sin ellos podría resultar peligrosa.
9. No bloquee nunca la cubierta de seguridad; confirme que se deslice suavemente antes de utilizar la herramienta.
10. No dañe nunca el cable de alimentación de la herramienta.
11. No intente mover nunca una HERRAMIENTA ELÉCTRICA con el dedo en el interruptor de disparo.
12. No intente nunca utilizar la HERRAMIENTA ELÉCTRICA si el interruptor de disparo no funciona adecuadamente.
13. No utilice nunca la HERRAMIENTA ELÉCTRICA si la envoltura de plástico o la empuñadura está rajada o deformada.
14. No utilice nunca la HERRAMIENTA ELÉCTRICA cerca de líquidos ni gases inflamables porque las chispas podrían causar una explosión.
15. No limpie nunca los componentes de plástico con disolventes, porque el plástico podría disolverse.
16. No utilice nunca la herramienta a menos que los protectores de la hoja de sierra estén en su lugar.
17. No levante nunca la hoja de sierra de la pieza de trabajo mientras no se haya parado completamente.
18. Cuando corte deslizando, no tire nunca de la empuñadura hacia usted mismo, ya que esto podría hacer que la hoja de sierra se saliese de la pieza de trabajo. Empuje siempre la empuñadura alejándola de usted mismo con un solo movimiento uniforme.
19. No coloque nunca sus miembros dentro de la línea cerca del signo de advertencia "⚠" mientras esté utilizando la herramienta. Esto podría resultar peligroso.
20. No utilice nunca hojas de tipo abrasivo con esta herramienta.
21. No esponga nunca la herramienta a la lluvia, ni la utilice en lugares húmedos.
22. No corte nunca metales ferrosos ni mampostería.

ADVERTENCIA

PARA SU PROPIA SEGURIDAD, ANTES DE UTILIZAR ESTA TRONZADORA RADIAL ABATIBLE, LEA ESTE MANUAL DE INSTRUCCIONES.

1. Para utilizar esta tronzoadora radial abatible, utilice siempre gafas protectoras.
2. Mantenga siempre las manos fuera del trayecto de la hoja de sierra.
3. No utilice nunca la sierra sin los protectores en su lugar.
4. No realice ninguna operación sin las manos con esta tronzoadora radial abatible.
5. No acerque nunca las manos a la hoja de sierra.
6. Antes de mover la pieza de trabajo o de cambiar los ajustes espere siempre a que la hoja de sierra se haya parado completamente.
7. Desconecte siempre la herramienta antes de cambiar la hoja de sierra o de realizar cualquier trabajo de mantenimiento.
8. El diámetro de la hoja de sierra es de 216 mm (8-1/2").
9. La velocidad sin carga es de 4900 rpm.
10. Para reducir el riesgo de lesiones, vuelva a colocar el carro en la posición totalmente hacia atrás después de cada operación de corte al través.

PIEZAS DE REEMPLAZO

Para la reparación de una herramienta, utilice solamente piezas de reemplazo idénticas. Las reparaciones solamente deberán realizarse en un centro de servicio autorizado por Hitachi.

UTILICE EL CABLE PROLONGADOR ADECUADO

Cerciórese de que el cable prolongador esté en buenas condiciones. Cuando utilice un cable prolongador, cerciórese de que tenga el calibre (grosor) suficiente como para poder conducir la corriente necesaria para la herramienta. Un cable de calibre inferior causaría la caída de tensión, lo que resultaría en pérdida de potencia y en recalentamiento. En la tabla siguiente se indica el calibre correcto de acuerdo con la longitud del cable y la indicación de amperaje de la tabla de características. Cuando menor sea el número de calibre, mayor será el cable.

CALIBRE MÍNIMO PARA CABLES

		Longitud total del cable en pies (metros)			
		0 – 25 (0 – 7,6)	26 – 50 (7,9 – 15,2)	51 – 100 (15,5 – 30,5)	101 – 150 (30,8 – 45,7)
Amperaje nominal		AWG			
Más de	No más de				
	0 – 6	18	16	16	14
	6 – 10	18	16	14	12
	10 – 12	16	16	14	12
	12 – 16	14	12	No se recomienda.	

⚠ ADVERTENCIA: Evite descargas eléctricas. No utilice nunca esta herramienta con un cable de alimentación o prolongador dañado ni reparado. Inspeccione regularmente todos los cables eléctricos. No utilice nunca la herramienta cerca del agua ni en ningún otro lugar en el que exista el riesgo de descargas eléctricas.

AISLAMIENTO DOBLE PARA OFRECER UNA OPERACIÓN MÁS SEGURA

Para garantizar una operación más segura de esta herramienta eléctrica, HITACHI ha adoptado un diseño de aislamiento doble. "Aislamiento doble" significa que se han utilizado dos sistemas de aislamiento físicamente separados para aislar los materiales eléctricamente conductores conectados a la fuente de alimentación del bastidor exterior manejado por el operador. Por lo tanto, en la herramienta eléctrica o en su placa de características aparecen el símbolo "□" o las palabras "Double insulation" (aislamiento doble). Aunque este sistema no posee puesta a tierra externa, usted deberá seguir las precauciones sobre seguridad eléctrica ofrecidas en este Manual de instrucciones, incluyendo la no utilización de la herramienta eléctrica en ambientes húmedos.

Para mantener efectivo el sistema de aislamiento doble, tenga en cuenta las precauciones siguientes:

- * Esta herramienta solamente deberá ser desmontada y montada en un CENTRO DE SERVICIO AUTORIZADO POR HITACHI, y sólo deberán utilizarse piezas de reemplazo genuinas de HITACHI.
- * Limpie el exterior de la herramienta eléctrica solamente con un paño suave humedecido en agua jabonosa, y después séquela bien.
- * No utilice disolventes, gasolina, ni diluidor de pintura para limpiar las partes de plástico, ya que podría disolverlas.

**GUARDE ESTAS INSTRUCCIONES
A MANO PARA QUE PUEDAN
USARLAS OTROS QUE DESEEN
UTILIZAR ESTA HERRAMIENTA**

OPERACIÓN Y MANTENIMIENTO

NOTA: La información contenida en este manual ha sido diseñada para ayudarle a realizar una operación segura y a mantener la HERRAMIENTA ELÉCTRICA. Algunas ilustraciones de este manual pueden mostrar detalles o dispositivos diferentes a los de su propia HERRAMIENTA ELÉCTRICA. Además, en algunas ilustraciones, los protectores y cubiertas no se muestran intencionadamente por motivos de ilustración solamente.

NOMENCLATURA DE PARTES

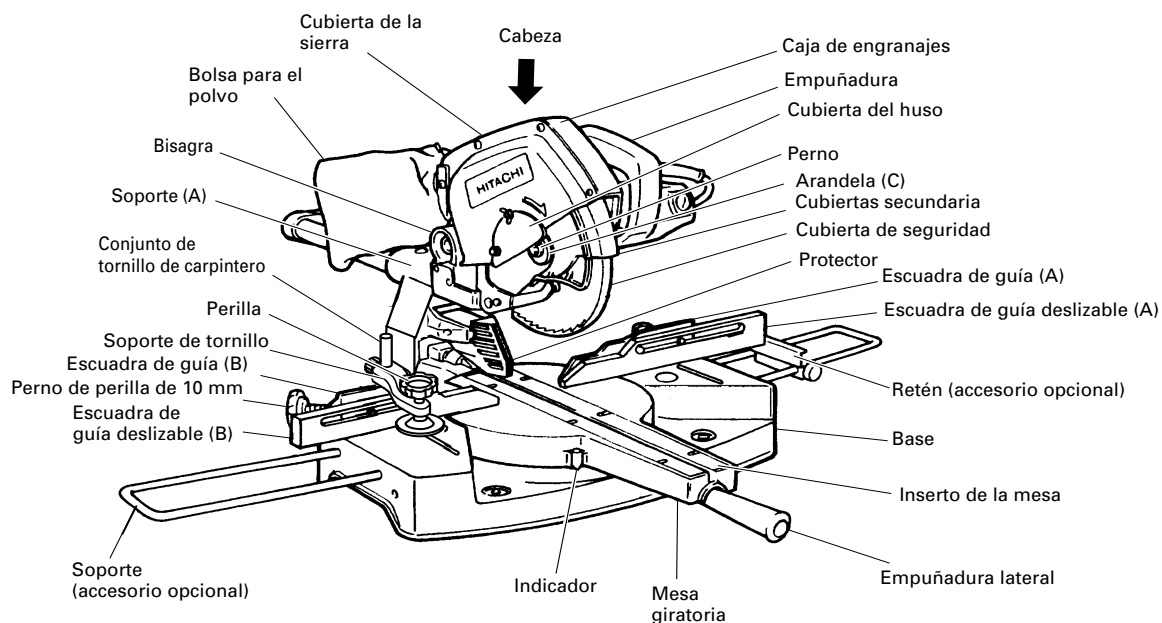


Fig. 1

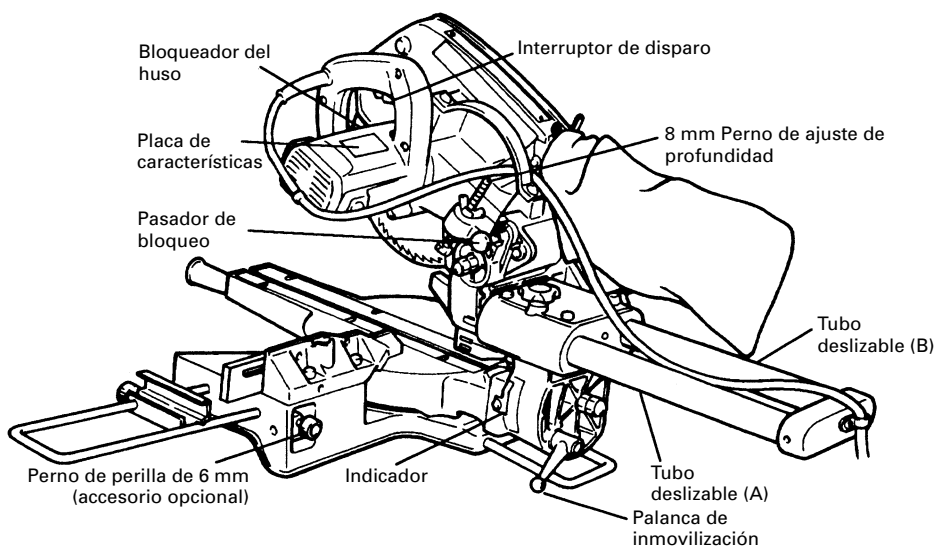


Fig. 2

ESPECIFICACIONES

Ítem	Modelo:	C 8FB2				
Motor	Tipo	Motor conmutador en serie				
	Fuente de alimentación	Monofásica, CA, 60 Hz				
	Tensión (voltios)	115				
	Corriente a plena carga (amperios)	9,5				
Hoja de sierra aplicable		Diámetro exterior: 216 mm (8-1/2") Diámetro del orificio: 15,9 mm (5/8")				
Velocidad sin carga		4900 rpm				
Dimensión máxima de corte	Bisel de 0°	Inglete de 0°	Altura máx.	65mm (2-9/16")	(Altura máx. 75mm (2-15/16") Anchura máx. 280mm (11") *271mm (10-21/32")	
			Anchura máx.	305mm (12") *296mm (11-21/32")		
	Bisel de 45°	Inglete de 0°	Altura máx.	65mm (2-9/16"),	Anchura	220mm (8-21/32") *211mm (8-5/16")
			Altura máx.	45mm (1-25/32"),	Anchura	305mm (12") *296mm (11-21/32")
Bisel de 45°	Inglete de 0°	Altura máx.	45mm (1-25/32"),	Anchura	220mm (8-21/32") *211mm (8-5/16")	
		Altura máx.	45mm (1-25/32"),	Anchura	220mm (8-21/32") *211mm (8-5/16")	
Margen de corte en bisel		0 – 45° a la izquierda, 0 – 57° a la derecha (Inglete de 45°, 0 – 45° a la izquierda y la derecha)				
Margen de corte en bisel		0 – 45° a la izquierda				
Peso neto		17,5 kg (38,6 libras)				
Cable		Cable de tipo de 2 conductores de 2,5 m (8 pies)				

*Cuando utilice el conjunto de escuadras de guía deslizables

ACCESORIOS

⚠ ADVERTENCIA: Los accesorios para esta herramienta eléctrica se mencionan en este Manual de instrucciones.
La utilización de otros accesorios puede resultar peligrosa y causar lesiones o daños mecánicos.

ACCESORIOS ESTÁNDAR

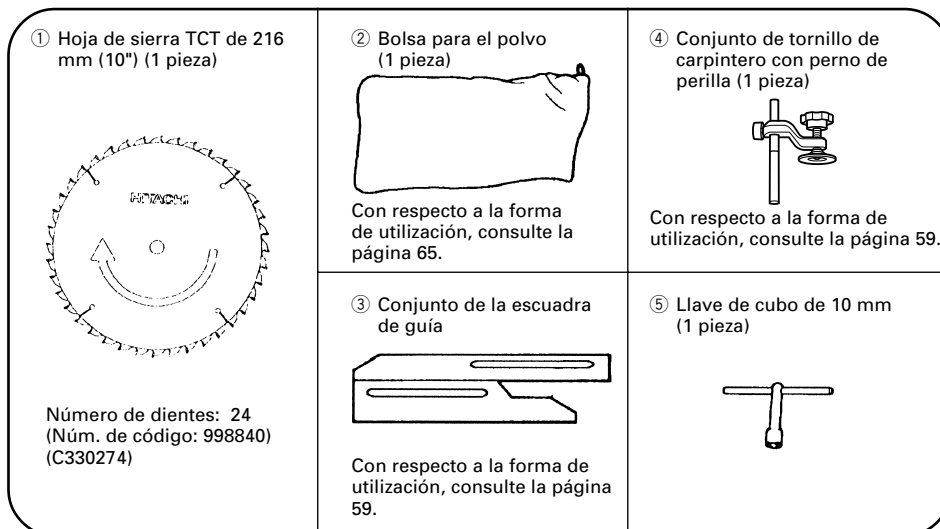


Fig. 3

ACCESORIOS OPCIONALES.....De venta por separado

- ① Soporte de extensión y retén (Fig. 1) (Núm. de código: 998866)
- ② Conjunto del protector (A) (Ajustable) (Núm. de código: 998984)
- ③ Hoja de sierra de 216 mm (8-1/2"), hoja de sierra TCT (Núm. total de dientes: 36) (Núm. de código: 998860)
- ④ Hoja de sierra de 216 mm (8-1/2"), hoja de sierra TCT (Núm. total de dientes: 60) (Núm. de código: 998862)
- ⑤ Hoja de sierra de 216 mm (8-1/2"), hoja de sierra TCT para aluminio (Núm. total de dientes: 60) (Núm. de código: 998864)

NOTA: Los accesorios están sujetos a cambio sin ninguna obligación por parte de HITACHI.

APLICACIONES

Puertas corredizas de madera y aluminio.

PREPARATIVOS PREVIOS A LA OPERACIÓN

Antes de utilizar la herramienta eléctrica, realice los preparativos siguientes.

1. Instalación

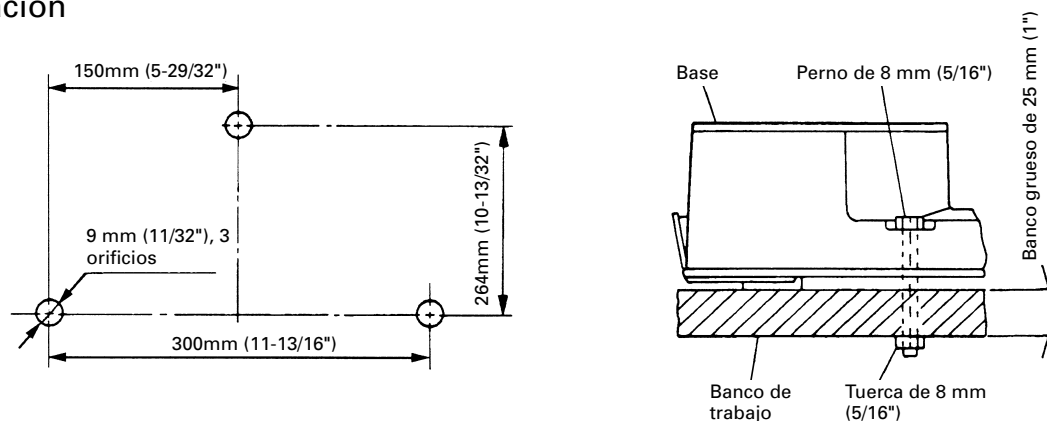
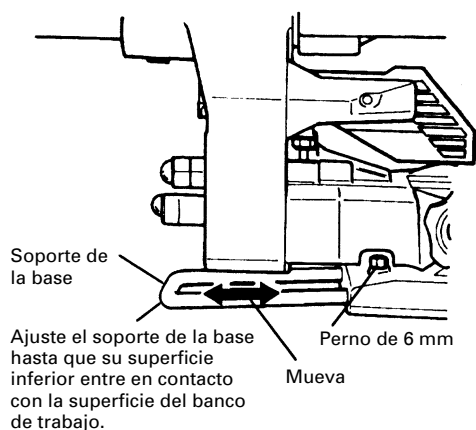


Fig. 4

Coloque la herramienta eléctrica sobre un banco de trabajo nivelado horizontal, como se muestra en la Fig. 4.

Seleccione pernos de 8 mm (5/16") de diámetro y de la longitud adecuada al grosor del banco de trabajo. La longitud del perno deberá ser de 25 mm (1") por lo menos más el grosor del banco de trabajo.

Por ejemplo, utilice pernos de 50 mm (2") o más para un banco de trabajo con grosor de 25 mm (1"). El soporte fijado a la parte posterior de la base ayuda a estabilizar la herramienta eléctrica.



Ajuste del soporte de la base:

Afloje el perno de 6 mm con la llave de cubo de 10 mm suministrada. Ajuste el soporte de la base hasta que su superficie inferior entre en contacto con la superficie del banco de trabajo.

Después del ajuste, apriete firmemente el perno de 6 mm.

Fig. 5

2. Liberación del pasador de bloqueo

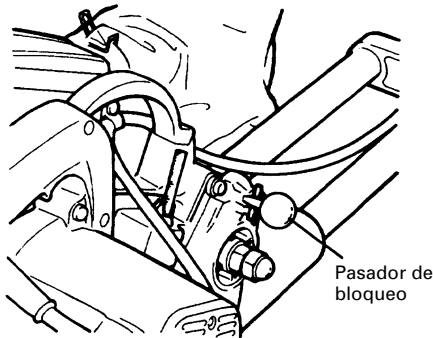


Fig. 6-a

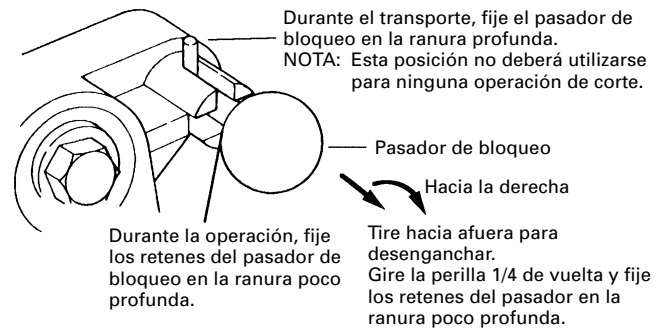


Fig. 6-b

Cuando la herramienta eléctrica esté preparada para transportarse, sus partes principales estarán aseguradas mediante el pasador de bloqueo. Mueva ligeramente la empuñadura (consulte la Fig. 1) de forma que el pasador de bloqueo pueda desenganchar y ajustarse como se indica en la Fig. 6-b.

NOTA: Si baja ligeramente la empuñadura (consulte la Fig. 1), podrá desenganchar el pasador de bloqueo de forma más fácil y segura.

La posición de bloqueo del pasador de bloqueo es solamente para transporte y almacenamiento.

3. Instalación de la bolsa para el polvo, el soporte, el retén, y los tornillos de carpintero (El soporte y el retén son accesorios opcionales.)

Fije la bolsa para el polvo, el soporte, el retén y el conjunto de tornillo de carpintero, la escuadra de guía deslizable (A), y la escuadra de guía deslizable (B) como se indica en la Fig. 1.

ANTES DE LA UTILIZACIÓN

1. Cerciórese de que la fuente de alimentación sea adecuada para la herramienta.

⚠ ADVERTENCIA: No conecte nunca la herramienta eléctrica a menos que la fuente de alimentación de CA disponible sea de la misma tensión que la especificada en la placa de características de dicha herramienta.

2. Cerciórese de que el interruptor de disparo esté en OFF.

⚠ ADVERTENCIA: Si conectase el cable de alimentación en la fuente de alimentación con el interruptor de disparo en ON, la herramienta se pondría repentinamente en funcionamiento y podría causar un accidente serio.

3. Compruebe si la hoja de sierra posee defectos visibles.

Confirme que la hoja de sierra esté exenta de rajaduras y de otros defectos visibles.

4. Confirme que la hoja de sierra esté fijada con seguridad a la herramienta eléctrica.

Utilizando la llave de cubo de 10 mm suministrado, apriete el perno del huso de la hoja de sierra para asegurar ésta.

Con respecto a los detalles, consulte la Fig. 37-a y 37-b de la sección "MONTAJE Y DESMONTAJE DE LA HOJA DE SIERRA".

5. Compruebe si la cubierta de seguridad funciona adecuadamente.

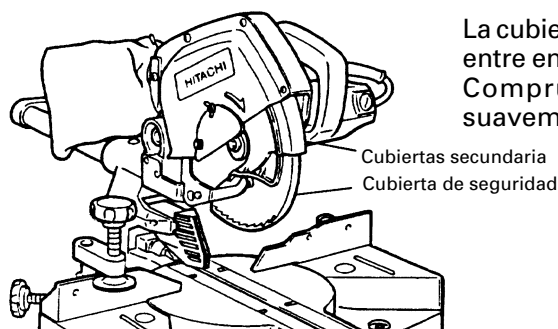


Fig. 7

La cubierta de seguridad ha sido diseñada para evitar que el operador entre en contacto con la hoja de sierra cuando utilice la herramienta. Compruebe siempre si la cubierta de seguridad se mueve suavemente y si cubre adecuadamente la hoja de sierra.

⚠ ADVERTENCIA: NO UTILICE NUNCA LA HERRAMIENTA ELÉCTRICA si la cubierta de seguridad no funciona suavemente.

6. Antes de utilizar la herramienta, confirme la posición del bloqueador del huso.
Después de haber instalado la hoja de sierra, confirme que el bloqueador del huso está en posición de retraída antes de utilizar la herramienta eléctrica (consulte la Fig. 2).
7. Compruebe la posición del límite inferior de la hoja de sierra.
Aunque fue ajustada antes del envío, compruebe cuidadosamente la altura de la hoja de sierra. Confirme que la hoja de sierra pueda bajarse de 12 a 13 mm (15/32" a 1/2") por debajo del inserto de la mesa. Con respecto a los detalles, consulte la sección "Comprobación de la posición del límite inferior de la hoja de sierra".
8. Compruebe el tomacorriente de CA.
Para evitar el recalentamiento, la parada accidental, o la operación intermitente, confirme que el enchufe del cable de alimentación esté firmemente insertado en el tomacorriente y que no se caiga después de haberlo insertado. Si el tomacorriente está defectuoso repare o reemplácelo.
9. Confirme que el cable de alimentación de la herramienta no esté dañado.
Si el cable de alimentación está dañado, repare o reemplácelo.

DESPUÉS DE HABER CONECTADO EL ENCHUFE DEL CABLE DE ALIMENTACIÓN EN UN TOMACORRIENTE DE CA APROPIADO, COMPRUEBE LA OPERACIÓN DE LA HERRAMIENTA DE LA FORMA SIGUIENTE:

10. Operación de prueba
Después de haber confirmado que no se ha olvidado de nada, ponga en funcionamiento la herramienta eléctrica, y confirme que no haya ninguna anomalía antes de intentar realizar la operación de corte.
11. Inspeccione la estabilidad de rotación de la hoja de sierra.
Para cortar con precisión, gire la hoja de sierra y compruebe la deflexión para confirmar que la hoja no esté inestable, ya que de lo contrario, podrían producirse vibraciones y ocurrir un accidente.

ANTES DEL CORTE

1. Corte de una ranura en el protector

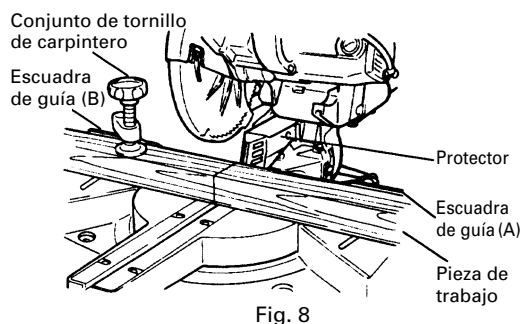


Fig. 8

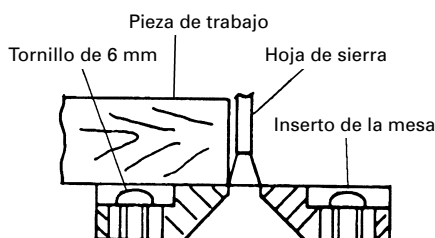
El soporte (A) posee un protector (consulte la Fig. 8) en el que habrá que cortar una ranura.

Después de haber colocado una pieza de madera adecuada asentada en las superficies de la escuadra de guía y de la mesa, fijela con el conjunto de tornillo de carpintero.

Después de haber puesto en ON el interruptor de disparo y de que la hoja de sierra haya alcanzado la velocidad máxima, baje lentamente la empuñadura para cortar una ranura en el protector.

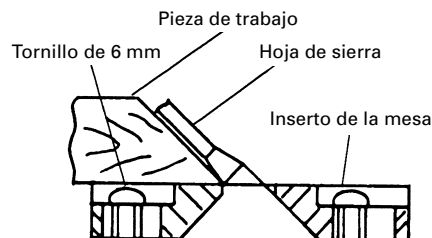
⚠ PRECAUCIÓN: No corte la ranura con demasiada rapidez, ya que el protector podría dañarse.

2. Ubicación del inserto de la mesa



[Corte en ángulo recto]

Fig. 9-a



[Corte en ángulo inclinado hacia la izquierda]

Fig. 9-b

Ajuste el inserto de la mesa giratoria hasta que quede correctamente alineado con la hoja de sierra, como se indica a continuación.

Ajuste del inserto de la mesa:

- (1) Afloje los tres tornillos para metal de 6 mm que aseguran el inserto para la mesa de la parte derecha.
- (2) Compruebe que el inserto de la mesa está colocado completamente hacia la derecha, y apriete temporalmente los tornillos para metal delanteros y traseros de 6 mm.
- (3) Asegure una pieza de madera (de unos 200 mm (7-7/8")) a la mesa giratoria con el conjunto de tornillo de carpintero.
- (4) Corte la pieza de madera con el ángulo deseado.
- (5) Alinee el inserto de la mesa del lado derecho con la línea de corte como se indica en las Figs. 9-a y 9-b.
- (6) Apriete con seguridad los tornillos para metal de 6 mm delanteros y traseros.
- (7) Quite la pieza de trabajo y apriete con seguridad los tornillos para metal centrales de 6 mm. Si la herramienta eléctrica está adecuadamente ajustada, el corte podrá realizarse con mayor precisión alineando una línea de tinta previamente marcada con el inserto de la mesa. Al salir de fábrica la herramienta eléctrica, el inserto de la mesa de la parte derecha se encuentra en una posición en la que no entra en contacto con la hoja de sierra cuando se realiza el corte en bisel de 45°. Por lo tanto, antes de la operación, ajuste el inserto de la parte derecha al ángulo de corte deseado.

3. Comprobación de la posición límite inferior de la hoja de sierra

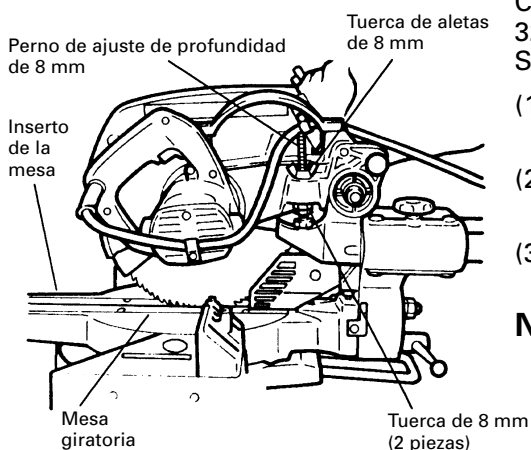


Fig. 10

Compruebe si la hoja de sierra puede bajarse 12 mm a 13 mm (15/32" a 1/2") por debajo del inserto de la mesa.

Si es necesario, realice el ajuste siguiente:

- (1) Afloje la tuerca de aletas de 8 mm y las dos tuercas de 8 mm del perno de ajuste de profundidad de 8 mm.
- (2) Gire el perno de ajuste de la profundidad de 8 mm en la forma necesaria para ajustar la posición del límite inferior.
- (3) Después de haber finalizado el ajuste, apriete completamente las dos tuercas de 8 mm y la tuerca de aletas de 8 mm.

NOTA: Antes de apretar las dos tuercas de 8 mm y la tuerca de aletas de 8 mm, confirme que la hoja de sierra esté ajustada de forma que no se corte la mesa giratoria.

4. Ángulo oblicuo

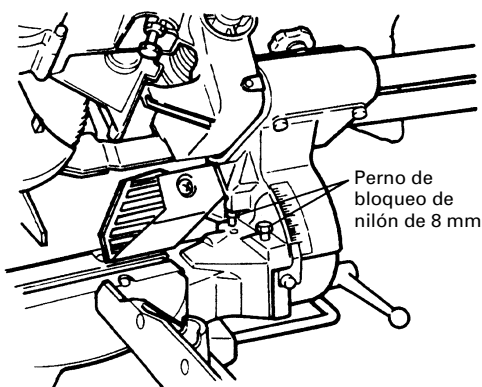


Fig. 11

Antes de salir de fábrica, la herramienta eléctrica ha sido ajustada para cortes en bisel con ángulos de 0° y 45° hacia la izquierda. La ubicación y el ángulo de corte en bisel podrán ajustarse aflojando el perno de bloqueo de nilón de 8 mm y cambiando la altura de dicho perno. (El ángulo máximo de corte en bisel es de 45°.)

5. Inmovilización de la pieza de trabajo

⚠ ADVERTENCIA: Sujete siempre la pieza de trabajo a la escuadra de guía, ya que de lo contrario podría salirse de la mesa y causar lesiones serias.

6. Instalación de los soportes ... (Accesorios opcionales)

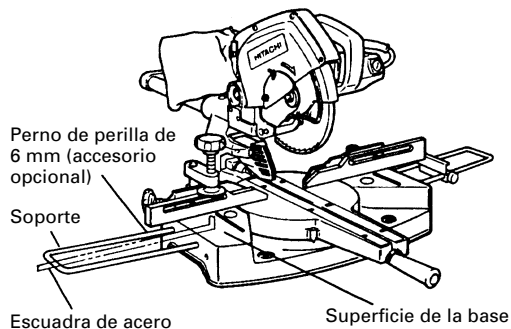


Fig. 12

Los soportes ayudan a mantener estables, y en su lugar, las piezas de trabajo largas durante la operación de corte.

- (1) Como se indica en la Fig. 12, utilice una escuadra de acero para alinear el borde superior de los soportes con la superficie de la base.
- (2) Después de la alineación, asegure los soportes con pernos de perilla de 6 mm (accesorios opcionales).

7. Retén para precisión de corte ... (El retén es un accesorio opcional)

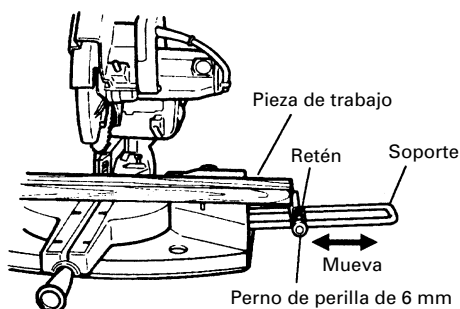


Fig. 13

El reten facilita la precisión del corte continuo en longitudes de 265 a 430 mm (10-7/16" a 16-15/16").

Para instalar el reten, fíjelo al soporte con el perno de perilla de 6 mm, como se muestra en la Fig. 13.

8. Utilización de una línea de tinta

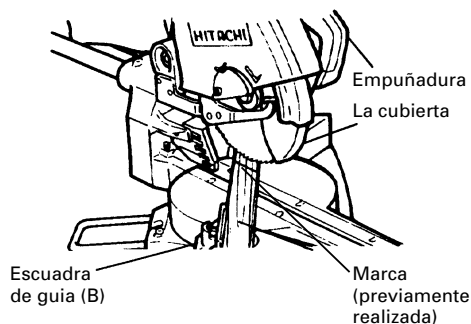


Fig. 14

Presione hacia abajo la empuñadura para levantar la cubierta de seguridad como se muestra en la Fig. 14, y alinee la línea de tinta previamente marcada con la hoja de sierra.

⚠ PRECAUCIÓN: No levante nunca la cubierta de seguridad mientras la hoja de sierra esté girando.

APLICACIONES PRÁCTICAS

⚠ ADVERTENCIA: * Para evitar lesiones, no quite ni remplace nunca la pieza de trabajo sobre la mesa mientras la herramienta esté en funcionamiento.

* No coloque nunca sus miembros dentro de la línea cerca del signo de advertencia mientras está utilizando la herramienta. Esto podría resultar peligroso (consulte las Fig. 15).

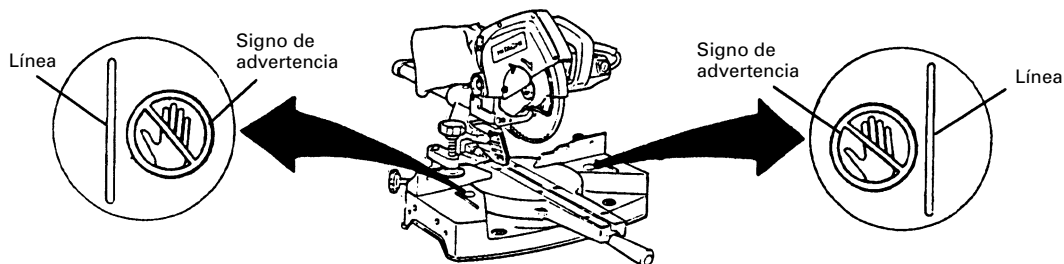


Fig. 15

1. Operación de conmutación

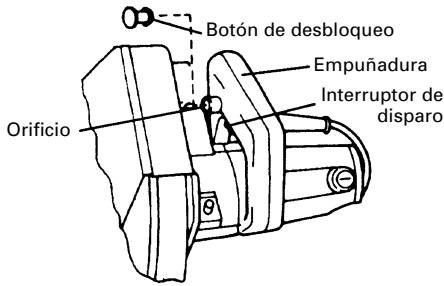


Fig. 16

El botón de bloqueo del interruptor de disparo ha sido diseñado para evitar la operación inadvertida de la herramienta eléctrica. Para utilizar esta herramienta será necesario insertar en primer lugar el botón de desbloqueo a fondo en el orificio de la empuñadura (como se muestra en la Fig. 16).

El interruptor de disparo no funcionará a menos que el botón de desbloqueo esté presionado.

Cuando suelte el interruptor de disparo, la alimentación se desconectará y el botón de desbloqueo volverá automáticamente a su posición inicial, bloqueando el interruptor de disparo.

⚠ ADVERTENCIA: Cuando no vaya a utilizar la herramienta eléctrica, desenganche el botón de bloqueo de la empuñadura de la misma. Esto asegurará el que la herramienta eléctrica no se ponga en funcionamiento accidentalmente o que no pueda utilizarla otra persona (especialmente niños) no cualificada para utilizarla. Si dejase el botón de desbloqueo en la empuñadura, podrían producirse lesiones serias. Como el botón de desbloqueo encaja de forma bastante apretada, puede ser necesario girarlo hacia la izquierda o la derecha durante el montaje y el desmontaje.

2. Utilización del conjunto de tornillo de carpintero (Accesorio estándar)

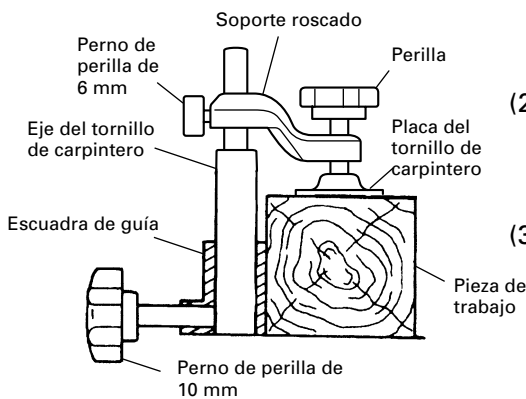


Fig. 17

(1) El conjunto de tornillo de carpintero puede montarse en la escuadra de guía izquierda (escuadra de guía (B)) o bien en la escuadra de guía derecha (escuadra de guía (A)) aflojando el perno de perilla de 10mm.

(2) El portatornillo puede elevarse o bajarse de acuerdo con la altura de la pieza de trabajo aflojando el perno de perilla de 6mm. Después del ajuste, apriete firmemente el perno de perilla de 6 mm y fije el portatornillo.

(3) Gire la perilla superior y fije firmemente la pieza de trabajo en su lugar (Fig. 17).

⚠ PRECAUCIÓN: Confirme siempre que la cabeza del motor (consulte la Fig. 1) no entre en contacto con el conjunto de tornillo de carpintero cuando descienda para realizar la operación de corte. Si existe el peligro de que pueda pasar esto, afloje ligeramente el perno de perilla de 10 mm y mueva el tornillo de carpintero hasta una posición en la que no entre en contacto con la hoja de sierra. Además, confirme siempre que el conjunto del tornillo de carpintero esté montado en la parte derecha [Escuadra de guía (A)] antes de utilizar la sierra para operaciones de corte compuesto (corte de ingletes + en bisel).

3. Utilización de la escuadra de guía deslizante (A) y la escuadra de guía deslizante (B) (Accesorio estándar)

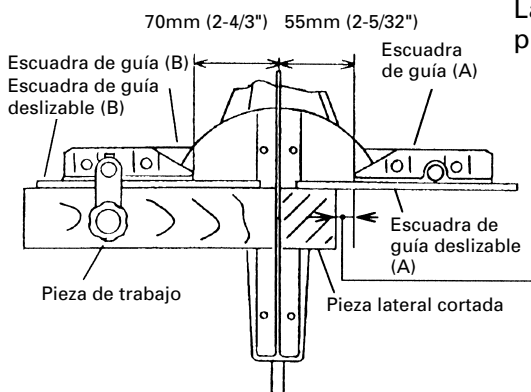


Fig. 18

Las escuadras de guía deslizantes (A) y (B) sirven para estabilizar piezas de trabajo pequeñas como se muestra en la Fig. 18.

La separación entre la escuadra de guía (A) y la escuadra de guía (B) y la pieza de trabajo son necesarias. El borde de la pieza de trabajo no deberá superponerse con la escuadra de guía (A) ni con la escuadra de guía (B).

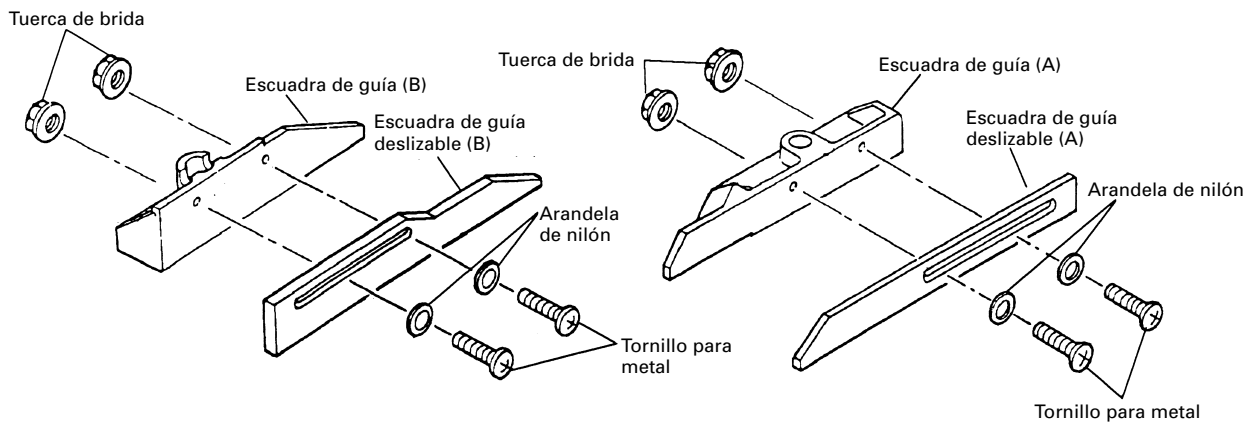


Fig. 19

- (1) Coloque las escuadras de guía deslizables (A) y (B) y las escuadras de guía (A) y (B) de la base.
- (2) Para la instalación, utilice los cuatro tornillos para metal con arandelas de nilón y las tuercas de brida como se muestra en la Fig. 19.
- (3) Ajuste las escuadras de guía deslizables (A) y (B) para estabilizar la pieza de trabajo. El margen de ajuste de las escuadras de guía deslizables (A) y (B) es de 0 a 95 mm (0 a 3-3/4").
- (4) Confirme la posición de las escuadras de guía deslizables (A) y (B) sobre las escuadras de guía (A) y (B) con los cuatro tornillos para metal firmemente apretados de forma que no se muevan las escuadras de guía (A) y (B) (consulte la Fig. 19).

⚠ PRECAUCIÓN: * Antes de la operación, cerciñese de que la hoja de sierra no entre en contacto con las escuadras de guía deslizables (A) y (B). En caso de que la hoja de sierra entre en contacto con las escuadras de guía deslizables (A) y (B), vuelva a ajustar la posición de las escuadras de guía deslizables (A) y (B).
 * La anchura máxima de corte en cruz (bisel 0°, ingletes 0°) es de 296 mm (11-21/32").

4. Operación de corte

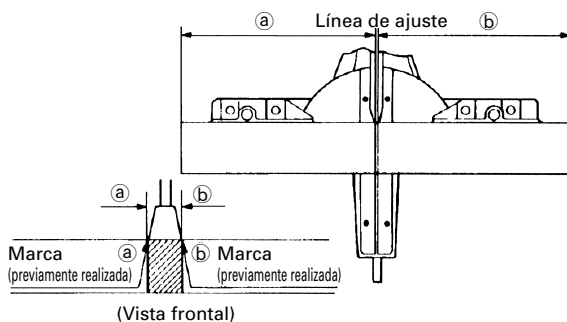


Fig. 20

- (1) Como se muestra en la Fig. 20, la anchura de la hoja de sierra es la de corte. Por lo tanto, deslice la pieza de trabajo hacia la derecha (vista desde la posición del operador) cuando desee la longitud (b), o hacia la izquierda cuando desee la longitud (a).
- (2) Cuando la hoja de sierra haya alcanzado la velocidad máxima, empuje cuidadosamente hacia abajo la empuñadura hasta que la hoja de sierra se acerque a la pieza de trabajo.
- (3) Cuando la hoja de sierra haya entrado en contacto con la pieza de trabajo, empuje gradualmente hacia abajo la empuñadura para cortar dicha pieza.
- (4) Después de haber cortado la pieza de trabajo con la profundidad deseada, desconecte la alimentación de la herramienta eléctrica y deje que la hoja de sierra se pare completamente antes de levantar la empuñadura de la pieza de trabajo para devolverla a su posición de completamente retraída.

⚠ PRECAUCIÓN: * El aumento de la presión sobre la empuñadura no aumentará la velocidad de corte. Por el contrario, la presión excesiva puede resultar en sobrecarga del motor y/o en reducción de la eficacia de corte.

⚠ ADVERTENCIA: * Cuando no vaya a utilizar la herramienta, confirme que el interruptor de disparo esté en OFF y de que el enchufe del cable de alimentación esté desconectado del tomacorriente.
 * Después de haber finalizado el trabajo, quite el botón de desbloqueo de la empuñadura y guárdelo en un lugar seguro.

5. Corte de piezas de trabajo estrechas (Corte a presión)

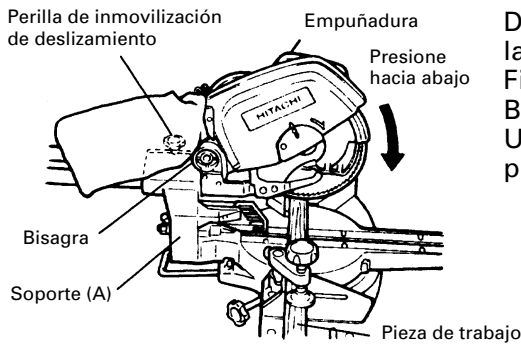


Fig. 21

Deslice la bisagra hacia abajo hasta el soporte (A), y después apriete la perilla de inmovilización de deslizamiento como se indica en la Fig. 21.

Baje la empuñadura para cortar la pieza de trabajo.

Utilizando la herramienta eléctrica de esta forma podrá cortar piezas de trabajo cuadradas de hasta 65 mm (2-9/16").

6. Corte de piezas de trabajo anchas (Corte con deslizamiento)

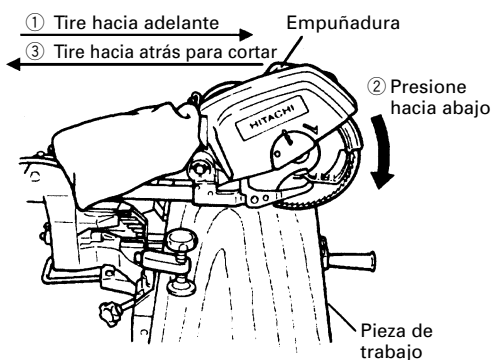


Fig. 22

(1) Piezas de trabajo de hasta 65 mm (2-9/16") de altura y 305 mm (12") de anchura: Afloje la perilla de inmovilización de deslizamiento, sujete la empuñadura, y deslice la hoja de sierra hacia adelante.

Después presione hacia abajo la empuñadura y deslice la hoja de sierra hacia atrás para cortar la pieza de trabajo como se indica en la Fig. 22. Esto facilitará el corte de piezas de trabajo de hasta 65 mm (2-9/16") de altura y 305 mm (12") de anchura.

(2) Piezas de trabajo de hasta 75 mm (2-15/16") de altura y 280 mm (11") de anchura: Las piezas de trabajo de hasta 75 mm (2-15/16") de altura y 280 mm (11") de anchura podrán cortarse de la misma forma que la descrita en el párrafo 6-(1) anterior.

- ⚠ PRECAUCIÓN:**
- * Si presiona la empuñadura con excesiva fuerza vertical o lateral, la hoja de sierra puede vibrar durante la operación de corte y causar marcas indeseadas en la pieza de trabajo reduciendo, de esta forma, la calidad del corte. Por consiguiente, presione suave y cuidadosamente la empuñadura.
 - * En el corte deslizable, presione suavemente la empuñadura hacia atrás (separándose del operador) con una operación única y uniforme. Si parase el movimiento de la empuñadura durante el corte, se producirían marcas de corte indeseadas en la pieza de trabajo.

- ⚠ ADVERTENCIA:**
- * Para el corte deslizable, siga los procedimientos indicados en la Fig. 22 anterior. El corte deslizable hacia adelante (hacia el operador) es muy peligroso porque la hoja de sierra puede salir despedida de la pieza de trabajo. Por lo tanto, deslice siempre la empuñadura alejándola de usted mismo.
 - * Devuelva siempre el carro a la posición completamente posterior después de cada operación de corte en cruz a fin de reducir el riesgo de lesiones.
 - * No coloque nunca su mano en la empuñadura lateral durante la operación de corte porque la hoja de sierra se acercará a la empuñadura lateral cuando se baje la cabeza del motor.

7. Procedimientos de corte de ingletes

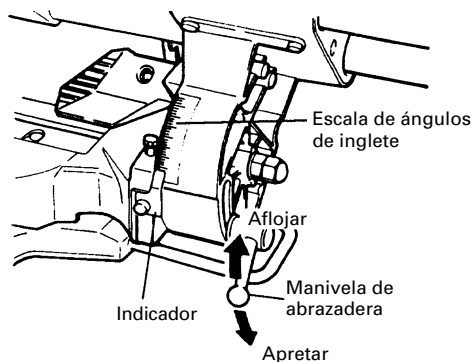


Fig. 23

- (1) Afloje la manivela de abrazadera e incline la hoja de sierra hacia la izquierda o la derecha.
- (2) Ajuste el ángulo de inclinación hasta el valor deseado observando la escala de ángulos de inglete y el indicador, y después asegure la manivela de la abrazadera.
- (3) Siga los procedimientos indicados en los párrafos 5 y 6 anteriores. Para las dimensiones máximas de corte en bisel de hasta 45 mm (1-25/32") de altura y 305 mm (12") de anchura

⚠ ADVERTENCIA: Cuando la pieza de trabajo esté asegurada en la parte izquierda de la hoja de sierra, la parte de corte corto entrará en contacto con el resto de la parte derecha de dicha hoja. Desconecte siempre la alimentación y deje que la hoja de sierra se pare completamente antes de levantar le empuña dura de la pieza de trabajo. Si levanta la empuñadura mientras la hoja de sierra está girando, la pieza de corte puede atascarse contra la hoja de sierra haciendo que se esparzan peligrosamente virutas. Cuando pare en la mitad la operación de corte en bisel, comience a cortar después de haber devuelto la cabeza del motor hasta la posición inicial. Si comenzase en el medio, sin haber tirado hacia atrás, la cubierta de seguridad podría quedar enganchada en la ranura de corte de la pieza de trabajo y entrar en contacto con la pieza de trabajo.

8. Procedimiento de corte de ingletes

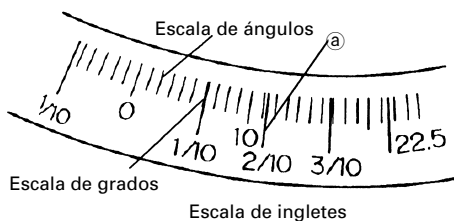


Fig. 24

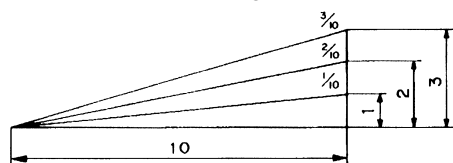


Fig. 25

- (1) Afloje la empuñadura lateral y ajuste la mesa giratoria hasta que el indicador quede alineado con el valor deseado de la escala de ingletes (Fig. 26).
- (2) Vuelva a apretar la empuñadura lateral para asegurar la mesa giratoria en la posición deseada.
- (3) La escala de ingletes (Fig. 24) indica tanto el ángulo de corte de la escala de ángulos como el gradiente en la escala de ángulos.
- (4) El gradiente, que es la proporción de la altura hasta la base de la sección triangular a extraerse, puede utilizarse para el ajuste de la escala de ingletes en vez del ángulo de corte, si así se desea (consulte la Fig. 25).
- (5) Por lo tanto, para cortar una pieza de trabajo con un grado de 2/10, ajuste el indicador a la posición **a** como se indica en la Fig. 24.

NOTA: * En las posiciones hacia la derecha y la izquierda existen paradas a 0°, centro, 15°, 22,5°, 31,6°, 35,3° y 45°.

Compruebe que la escala de ingletes y la punta del indicador estén adecuadamente alineadas.
* La operación de la sierra con la escala de ingletes y el indicador desalineados, o con la empuñadura lateral sin apretar adecuadamente, resultará en un corte con mala precisión.

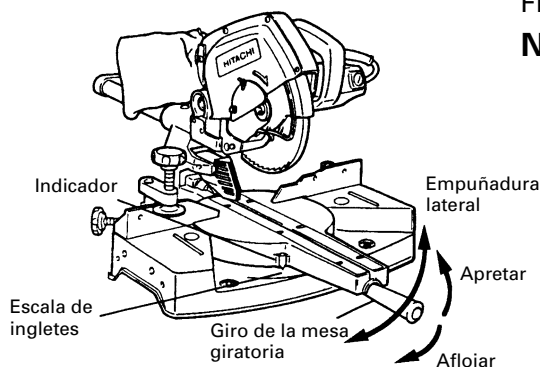


Fig. 26

9. Procedimientos de corte compuesto

El corte compuesto podrá realizarse siguiendo las instrucciones de 7 y 8 anteriores. Con un ángulo de bisel de 45° y un ángulo para ingletes de 45°, podrá cortarse una pieza de trabajo de hasta 45 mm (1-25/32") de altura y 220 mm (8-21/32") de anchura.

⚠ PRECAUCIÓN: Asegure siempre la pieza de trabajo con la parte derecha para el corte compuesto. No gire nunca la mesa giratoria hacia la derecha para el corte compuesto, porque la hoja de sierra podría entrar en contacto con la abrazadera o con el tornillo de carpintero que la asegura, y causar lesiones o daños.

10. Procedimientos de corte con moldura en vértice

En la Fig. 27 se muestran los tipos de moldura en vértice con ángulos de 38 y 45°. Con respecto a las molduras en vértice típicas, consulte la Fig. 28.

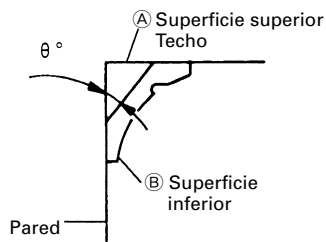


Fig. 27

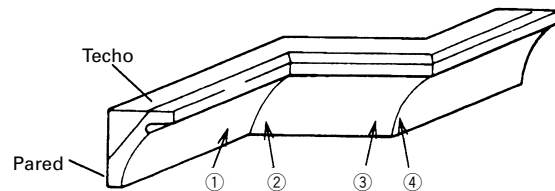


Fig. 28

En la tabla siguiente se muestran los ajustes de ángulo de ingletes y de corte en bisel para los dos tipos de moldura en el vértice.

NOTA: Por motivos de comodidad, existen posiciones con parada para los ajustes de corte de ingletes (izquierda y derecha de 31,6° ,35,3°) y para corte en bisel (izquierda y derecha de 30°, 33,9°).

Para el ajuste de corte de ingletes

Si la mesa giratoria ha sido ajustada a cualquiera de los ángulos descritos, mueva la empuñadura lateral de ajuste de la misma un poco hacia la derecha o hacia la izquierda para estabilizar la posición y para alinear apropiadamente la escala de ángulos ingletes y la punta del indicador antes de iniciar la operación.

Para el ajuste del corte en bisel

Mueva la empuñadura de la sección de ingletes hacia la derecha o la izquierda y compruebe si la posición es estable, y si la escala de ángulos de bisel y la punta del indicador están adecuadamente alineadas. Después apriete la manivela de la abrazadera.

Tipo de moldura en vértice	Para procesar la moldura en vértices en las posiciones ① y ④ de la Fig. 28.		Para procesar la moldura en vértices en las posiciones ② y ③ de la Fig. 28.	
	Ajuste del ángulo de ingletes	Ajuste del ángulo de corte en bisel	Ajuste del ángulo de ingletes	Ajuste del ángulo de corte en bisel
Tipo de 45°	35,3° hacia la derecha (marca ↓)	30° hacia la izquierda (marca ↓)	35,3° hacia la izquierda (marca ↓)	30° hacia la izquierda (marca ↓)
Tipo de 38°	31,6° hacia la derecha (marca ↓)	33,9° hacia la izquierda (marca ↓)	31,6° hacia la izquierda (marca ↓)	33,9° hacia la izquierda (marca ↓)

(1) Ajuste para cortar molduras en vértice a los posiciones ① y ④ de la Fig. 28 (consulte la Fig. 29, incline la cabeza hacia la izquierda):

- ① Gire la mesa giratoria hacia la derecha y ajuste el ángulo de ingletes de la forma siguiente:
 - * Para molduras en vértice de tipo de 45°: 35,3° (marca ↓)
 - * Para molduras en vértice de tipo de 38°: 31,6° (marca ↓)
- ② Inclíne la cabeza hacia la izquierda y ajuste el ángulo de corte en bisel de la forma siguiente:
 - * Para molduras en vértice de tipo de 45°: 30° (marca ↓)
 - * Para molduras en vértice de tipo de 38°: 33,9° (marca ↓)
- ③ Coloque la moldura en el vértice de forma que la superficie superior (A de la Fig. 27) entre en contacto con la escuadra de guía como se indica en la Fig. 30.

(2) Ajuste para cortar molduras en vértice a los posiciones ② y ③ de la Fig. 28 (consulte la Fig. 31, incline la cabeza hacia la izquierda):

- ① Gire la mesa giratoria hacia la derecha y ajuste el ángulo de ingletes de la forma siguiente:
 - * Para molduras en vértice de tipo de 45°: 35,3° (marca ↓)
 - * Para molduras en vértice de tipo de 38°: 31,6° (marca ↓)
- ② Incline la cabeza hacia la izquierda y ajuste el ángulo de corte en bisel de la forma siguiente:
 - * Para molduras en vértice de tipo de 45°: 30° (marca ↓)
 - * Para molduras en vértice de tipo de 38°: 33,9° (marca ↓)
- ③ Coloque la moldura en el vértice de forma que la superficie superior (B) de la Fig. 27) entre en contacto con la escuadra de guía como se indica en la Fig. 32.

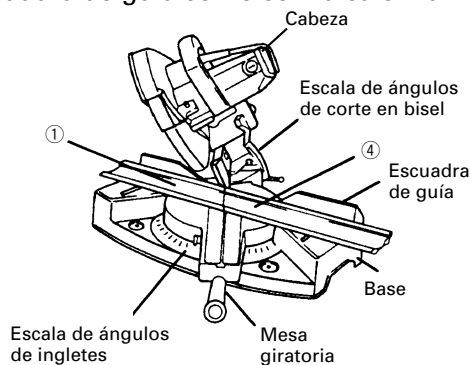


Fig. 29

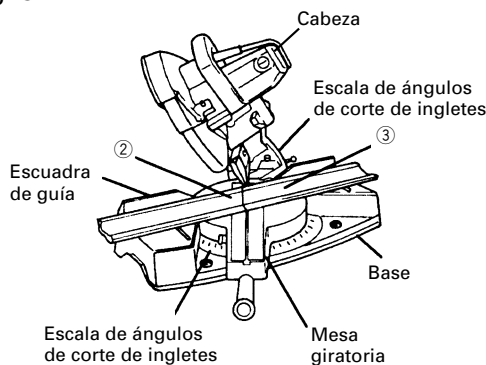


Fig. 31

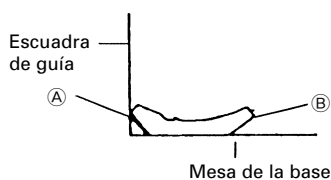


Fig. 30

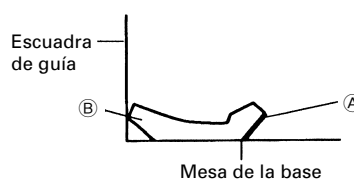


Fig. 32

11. Procedimientos de corte de ranuras

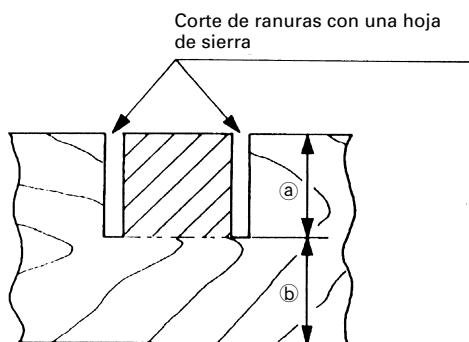


Fig. 33

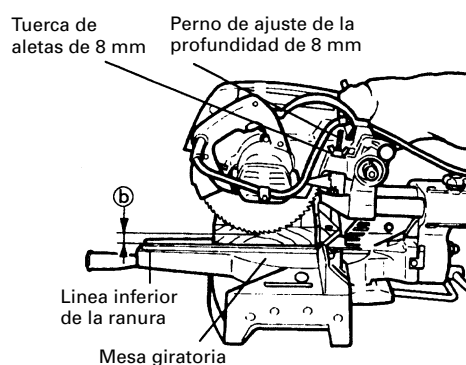


Fig. 34

Las ranuras podrán cortarse en la pieza de trabajo como se indica en la Fig. 33 regulando el perno de ajuste de profundidad de 8 mm.

Procedimiento de ajuste de la profundidad de corte:

- (1) Afloje la tuerca de aletas de 8 mm y gire el perno de ajuste de profundidad de 8 mm con la mano.
- (2) Ajuste la profundidad de corte deseada regulando la distancia entre la hoja de sierra y la superficie de la base (consulte b) de la Fig. 33).
- (3) La tuerca de aletas de 8 mm deberá quedar adecuadamente apretada después de haber finalizado el ajuste.

NOTA: Cuando corte una sola ranura en cualquier extremo de la pieza de trabajo, quite la parte innecesaria con un formón.

12. Corte fácil de materiales deformados, tales como vidrieras corredizas de aluminio

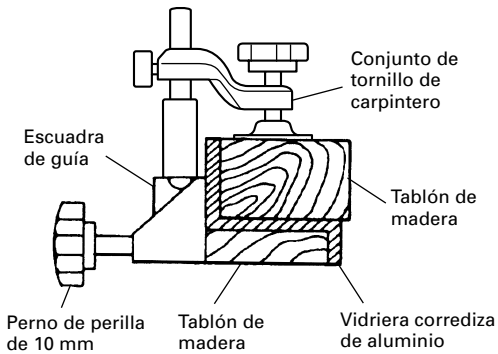


Fig. 35

Los materiales tales como vidrieras corredizas de aluminio pueden deformarse fácilmente si se aprietan demasiado con el conjunto de tornillo de carpintero. Esto causará el corte ineficaz y posiblemente la sobrecarga del motor.

Cuando corte tales materiales, utilice un tablón de madera para proteger la pieza de trabajo como se muestra en la Fig. 35.

Cuando corte materiales de aluminio, recubra la hoja de sierra con aceite para corte (no consumible) a fin de lograr un corte uniforme y un acabado fino.

13. Forma de utilizar la bolsa para el polvo (Accesorio estándar)

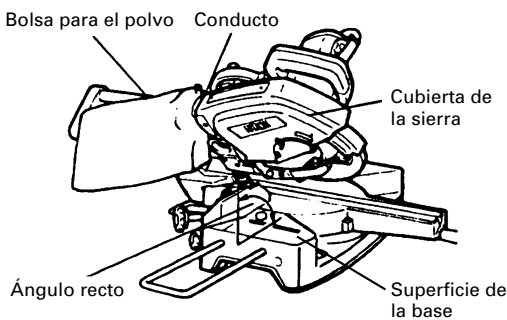


Fig. 36

(1) Cuando la bolsa para el polvo esté llena de polvo, dicho polvo saldrá soplado de la bolsa para el polvo cuando gire la hoja de sierra. Compruebe periódicamente y vacíe la bolsa para el polvo antes de que se llene.

(2) Durante el corte en bisel y compuesto, fije la bolsa para el polvo en ángulo recto con relación a la superficie placa de la base como se muestra en la Fig. 36.

⚠ PRECAUCIÓN: Vacíe frecuentemente la bolsa para el polvo para evitar que se atasquen el conducto y la cubierta de seguridad. Durante el corte en bisel se acumulará más polvo de lo normal.

MONTAJE Y DESMONTAJE DE LA HOJA DE SIERRA

⚠ ADVERTENCIA: Para evitar accidentes o lesiones, suelte siempre el interruptor de disparo y desconecte el enchufe del cable de alimentación del tomacorriente antes de extraer o instalar la hoja de sierra.

1. Montaje de la hoja de sierra (Fig. 37-a y Fig. 37-b)

(1) Presione el bloqueador del huso y afloje el perno con la llave de cubo de 10 mm. Como el perno está roscado hacia la izquierda, aflójealo girándolo hacia la derecha como se muestra en la Fig. 37-b.

NOTA: Si el bloqueador del huso no puede presionarse fácilmente para bloquear el uso, gire el perno con la llave de cubo de 10 mm presionándolo. El cubo de la hoja de sierra se bloqueará al presionar hacia adentro el bloqueador del mismo.

(2) Quite el perno y la arandela (C).

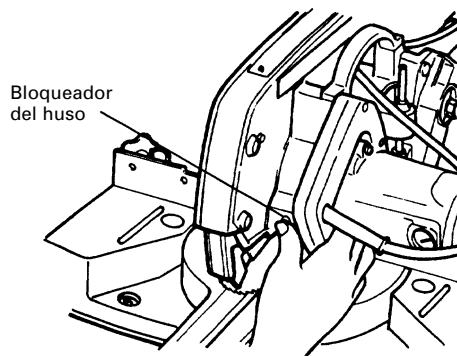


Fig. 37-a

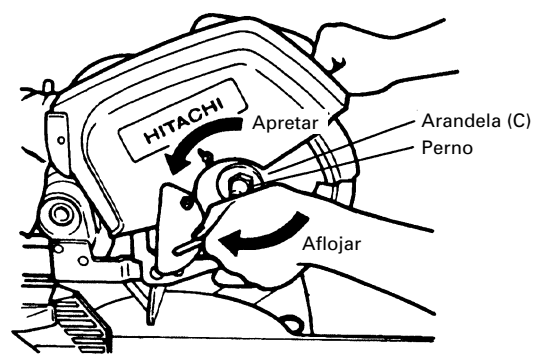


Fig. 37-b

(3) Levante las cubiertas de seguridad (cubierta secundaria de seguridad) y monte la hoja de sierra.

⚠ ADVERTENCIA: Cuando monte la hoja de sierra, confirme que la marca del indicador de rotación de la misma y del sentido de giro de la cubierta de la sierra (consulte la Fig. 1) hayan quedado correctamente adaptadas.

(4) Limpie cuidadosamente la arandela (C) y el perno, e instálelos en el huso de la hoja de sierra.

(5) Presione el bloqueador del huso y apriete el perno girándolo hacia la izquierda con la llave de cubo 10 mm, como se indica en la Fig. 37-b.

⚠ PRECAUCIÓN: * Después de haber instalado o extraído la hoja de sierra, confirme que el bloqueador del huso haya vuelto a la posición de retracción.
* Apriete el perno de forma que no se afloje durante la operación. Confirme que el perno haya quedado adecuadamente apretado antes de poner en funcionamiento la herramienta.

2. Desmontaje de la hoja de sierra

Desmonte la hoja de sierra invirtiendo el proceso de montaje descrito en el párrafo 1 anterior. La hoja de sierra podrá extraerse fácilmente después de levantar la cubierta de seguridad.

⚠ PRECAUCIÓN: No intente instalar nunca hojas de sierra de diámetro superior a 216 mm (8-1/2"). Instale siempre las hojas de sierra de 216 mm (8-1/2") de diámetro o menos.

MANTENIMIENTO E INSPECCIÓN

⚠ ADVERTENCIA: Para evitar accidentes o lesiones, confirme que el interruptor de disparo esté en OFF y de que el enchufe del cable de alimentación esté desconectado del tomacorriente antes de realizar cualquier operación de mantenimiento o de inspección de esta herramienta.

1. Inspección de la hoja de sierra

Reemplace la hoja de sierra inmediatamente después de haber notado cualquier signo de deterioro o daño. Una hoja de sierra dañada puede causar lesiones, y otra desgastada puede causar la operación inefectiva o la posible sobrecarga del motor.

⚠ PRECAUCIÓN: No utilice nunca una hoja de sierra mellada. Cuando la hoja de sierra esté mellada, su resistencia a la presión de la mano aplicada por la empuñadura de la herramienta tiende a aumentar, haciendo que la herramienta eléctrica funcione de forma insegura.

2. Ajuste del tubo deslizante flojo

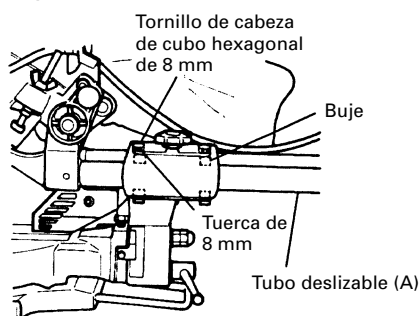


Fig. 38

Después de haber utilizado la herramienta durante mucho tiempo, el tubo deslizante (A) y el buje pueden aflojarse debido a la vibración. No utilice nunca la herramienta si tiene cualquier componente flojo a fin de evitar lesiones.

- (1) Afloje la tuerca de 8 mm y apriete los tornillos de fijación hexagonales de 8 mm hasta que la herramienta funcione suavemente sin flojedaz.
- (2) Apriete adecuadamente la tuerca de 8 mm después de haber finalizado este ajuste.

3. Inspección de las escobillas (Figs. 39 y 40)

Las escobillas del motor son piezas fungibles.

Si las escobillas se desgastan excesivamente, es posible que el motor tenga problemas.

Por lo tanto, inspeccione periódicamente las escobillas y reemplácelas cuando se hayan desgastado hasta la línea límite mostrada en la Fig. 39.

Además, mantenga las escobillas limpias de forma que se deslicen suavemente dentro de los portaescobillas. Las escobillas podrán extraerse fácilmente después de haber quitado las tapas de los portaescobillas (consulte la Fig. 40) con un destornillador de punta plana.

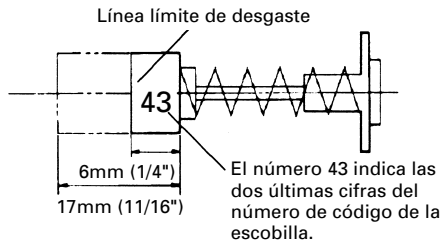


Fig. 39

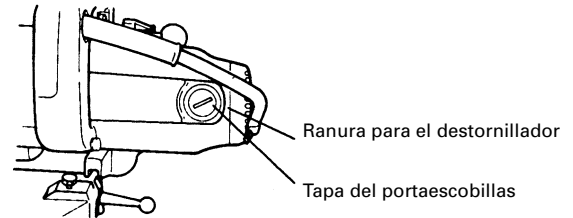


Fig. 40

4. Inspección de los tornillos de montaje

Inspeccione regularmente cada componente de la herramienta eléctrica para ver si están flojos.

Reapriete los tornillos de montaje y cualquier pieza floja.

⚠ ADVERTENCIA: Para evitar lesiones, no utilice nunca la herramienta eléctrica si tiene alguna pieza floja.

5. Inspección del funcionamiento de la cubierta de seguridad

Antes de utilizar la herramienta, pruebe la cubierta de seguridad (consulte la Fig. 7) para asegurarse de que esté en buenas condiciones, y de que se mueva uniformemente.

6. Almacenamiento

Después de haber utilizado la herramienta eléctrica, compruebe si:

- (1) El interruptor de disparo está en la posición OFF
- (2) El enchufe del cable de alimentación está desconectado del tomacorriente de CA
- (3) El botón de desbloqueo está extraído y guardado en un lugar seguro.

Cuando no vaya a utilizar la herramienta, guárdela en un lugar seco fuera del alcance de niños.

7. Manejo (para transporte)

Para fines de transporte, tire hacia arriba de la empuñadura retraída en la caja de engranajes con una mano y sujete la base en la sección del asa del extremo izquierdo con la otra mano.

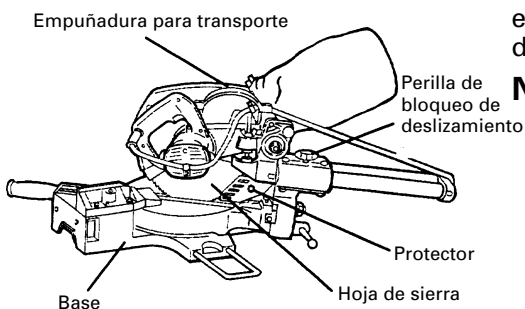


Fig. 41

NOTA: Antes de transportar la herramienta, coloque la hoja de sierra contra el protector y apriete la perilla de bloqueo de deslizamiento para bloquear el movimiento de deslizamiento.

8. Lubricación

Lubrique las superficies deslizables siguientes una vez al mes a fin de mantener la herramienta eléctrica en buenas condiciones de operación durante mucho tiempo (consulte la Fig. 1 y la Fig. 2). Se recomienda la utilización de aceite para máquinas.

Puntos de suministro de aceite:

- * Parte giratoria de la bisagra
- * Parte giratoria del conjunto del tornillo de carpintero
- * Parte deslizable del tubo deslizable (A) y del tubo deslizable (B)

9. Limpieza

Limpie periódicamente las virutas y demás materiales de la superficie de la herramienta eléctrica con un paño humedecido en una solución jabonosa. Para evitar el mal funcionamiento del motor, protéjalo contra el aceite y el agua.

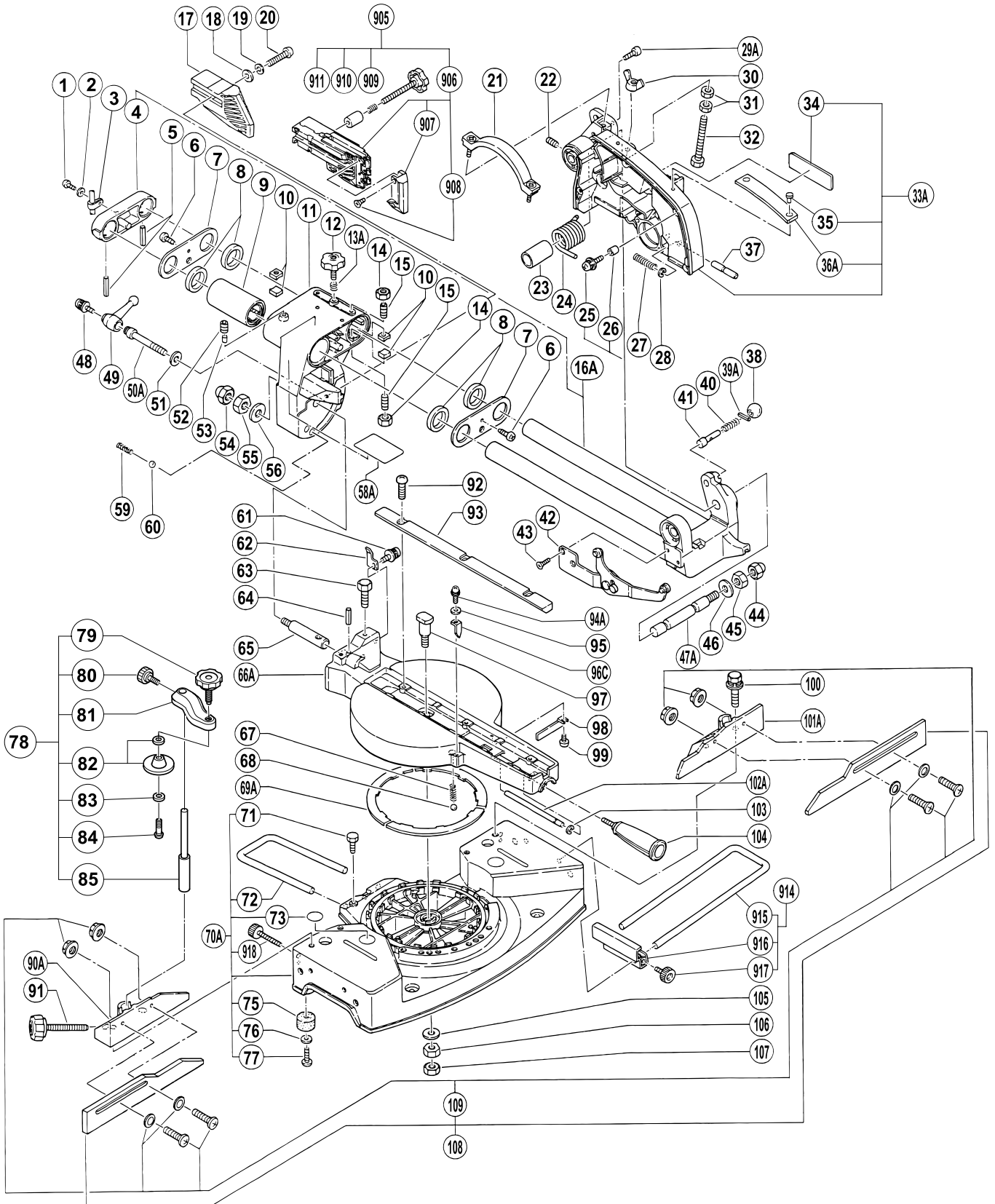
SERVICIO Y REPARACIONES

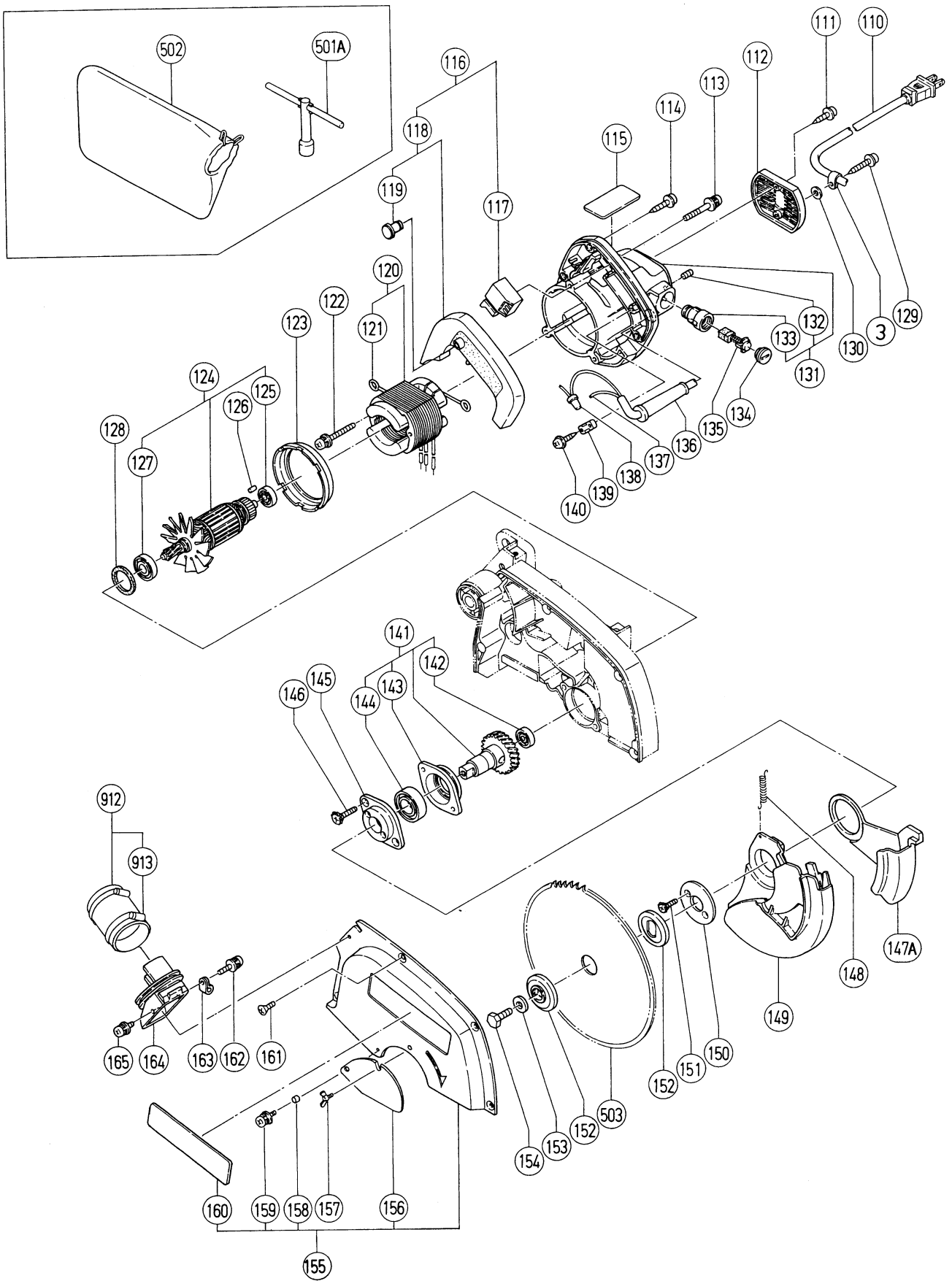
Todas las herramientas eléctricas de calidad necesitan el servicio o el reemplazo de piezas debido al desgaste por el uso. para asegurarse de que solamente se utilicen piezas de remplazo autorizadas y el sistema de doble aislamiento, todos los trabajos de servicio (excepto el mantenimiento rutinario) deberán realizarse SOLAMENTE EN UN CENTRO DE REPARACIONES DE HERRAMIENTAS ELÉCTRICAS AUTORIZADO POR HITACHI.

NOTA: Las especificaciones están sujetas a cambio sin previo aviso sin ninguna obligación por parte de HITACHI.

PARTS LIST

Model C 8FB2





Slide Compound Saw Parts List

ITEM NO.	PART NAME	ITEM NO.	PART NAME
1	MACHINE SCREW M4 × 16	63	NYLOCK BOLT M8 × 25
2	BOLT WASHER M4	64	SLOTTED PIN D8 × 30
3	NYLON CLIP	65	HOLDER SHAFT
4	SUPPORT	66A	TURNTABLE
5	ROLL PIN D6 × 40	67	SPRING(C)
6	MACHINE SCREW M5 × 12	68	STEEL BALL D12.7
7	PACKING COVER	69A	LINER
8	FELT	70A	BASE ASSEMBLY (INCLUD. 71-73, 75-77)
9	BALL BUSHING	71	BOLT M6 × 16
10	BUSHING	72	HOLDER
11	HOLDER (A)	73	CAUTION LABEL (J)
12	KNOB BOLT M8 × 20	75	BASE RUBBER
13A	LOCK SPRING	76	BOLT WASHER M5
14	LOCK NUT M8	77	MACHINE SCREW M5 × 20
15	HEX. SOCKET SET SCREW M8 × 16	78	VICE ASSEMBLY (INCLUD. 79-85, 91)
16A	HINGE ASSEMBLY (INCLUD. 4)	79	KNOB BOLT M10
17	GUARD	80	KNOB BOLT M6 × 11
18	BOLT WASHER M8	81	SCREW HOLDER
19	SPRING WASHER M8	82	VICE PLATE SET
20	MACHINE SCREW M8 × 30	83	WASHER
21	HANDLE	84	MACHINE SCREW (W/WASHERS) M5 × 12
22	HEX. SOCKET SET SCREW M6 × 16	85	VICE SHAFT
23	SLEEVE	90A	FENCE (B)
24	SPRING	91	KNOB BOLT M10 × 70
25	MACHINE SCREW (W/WASHERS) M5 × 20	92	MACHINE SCREW M6 × 20
26	COLLAR (B)	93	TABLE INSERT
27	SPRING	94A	MACHINE SCREW M4 × 8
28	RETAINING RING (E-TYPE) FOR D7 SHAFT	95	BOLT WASHER M4
29A	HEX. SOCKET HD. BOLT M5 × 10	96C	INDICATOR
30	WING NUT M8	97	SHAFT
31	NUT M8	98	SPACER
32	BOLT M8 × 100	99	MACHINE SCREW M4 × 10
33	GEAR CASE ASSEMBLY (INCLUD. 25, 26 34 × 36)	100	BOLT (W/WASHERS) M8 × 35 (BLACK)
34	WARNING LABEL	101A	FENCE (A)
35	RIVET D2.5 × 4.8	102A	SHAFT
36A	CAUTION PLATE (E)	103	RETAINING RING (E-TYPE) FOR D7 SHAFT
37	STOPPER PIN	104	SIDE HANDLE
38	GRIP	105	WASHER (T)
39A	ROLL PIN D3 × 25	106	NUT M12
40	GAUGE SPRING	107	LOCK NUT M12
41	SET PIN	108	SLIDE FENCE ASSEMBLY (INCLUD. 109)
42	LINK	109	SCREW
43	FLAT HD. SCREW M6 × 16	110	CORD
44	CAP NUT M12	111	TAPPING SCREW (W/FLANGE) D4 × 20 (BLACK)
45	NUT M12	112	TAIL COVER
46	BOLT WASHER M12	113	MACHINE SCREW (W/WASHERS) M5 × 50 (BLACK)
47A	HINGE SHAFT	114	TAPPING SCREW (W/FLANGE) D4 × 25 (BLACK)
48	MACHINE SCREW (W/WASHERS) M6 × 12 (BLACK)	115	NAMEPLATE
49	CLAMP LEVER	116	SWITCH AND HANDLE COVER SET (INCLUD. 117, 118)
50A	BOLT (LEFT HAND) M10	117	SWITCH (1P PILLAR TYPE) W/LOCK
51	WASHER (I)	118	HANDLE COVER ASSEMBLY (INCLUD. 119)
52	HEX. SOCKET SET SCREW M8 × 8	119	LOCK OFF BUTTON
53	BEARING LOCK	120	STATOR ASSEMBLY (B) 115V (INCLUD. 121)
54	CAP NUT M12	121	BRUSH TERMINAL
55	NUT M12	122	MACHINE SCREW (W/WASHERS) M5 × 60 (BLACK)
56	BOLT WASHER M12	123	FAN GUIDE (B)
58A	CAUTION PLATE (A)		
59	SPRING (C)		
60	STEEL BALL D12.7		
61	MACHINE SCREW (W/WASHERS) M6 × 10		
62	INDICATOR		

Slide Compound Saw Parts List

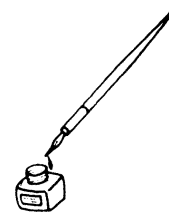
ITEM NO.	PART NAME	ITEM NO.	PART NAME
124	ARMATURE ASSEMBLY 115V (INCLUD. 125, 127)	146	FLAT HD. SCREW (W/TOOTHED LOCK WASH) M5 × 35
125	BALL BEARING 608VVMC2EPS2L	147	SUB COVER
126	BEARING LOCK	148	RETURN SPRING
127	BALL BEARING 600IVVCMPS2L	149	SAFETY COVER
128	RUBBER RING	150	COVER
129	TAPPING SCREW (W/FLANGE) D4 × 25 (BLACK)	151	FLAT HD. SCREW (W/TOOTHED LOCK WASH) M4 × 12
130	WASHER (B)	152	WASHER (C)
131	HOUSING ASSEMBLY (INCLUD. 132, 133)	153	WASHER
132	HEX. SOCKET SET SCREW M5 × 6	154	BOLT (LEFT HAND) M7 × 17.5
133	BRUSH HOLDER	155A	SAW COVER ASSEMBLY (INCLUD. 156, 158 × 160, 166)
134	BRUSH CAP	156	SPINDLE COVER
135	CARBON BRUSH (1 PAIR)	157	WING BOLT M5 × 10
136	CORD ARMOR D10.1	158	SPACER
137	TUBE (D)	159	MACHINE SCREW (W/WASHERS) M5 × 8
138	CONNECTOR 50091	160	HITACHI LABEL
139	CORD CLIP	161	PAN HD. SCREW M5 × 10
140	TAPPING SCREW (W/WASHER) D4 × 16	162	MACHINE SCREW (W/WASHERS) M5 × 16
141	SPINDLE ASSEMBLY (INCLUDE 142 × 144)	163	NYLON CLIP
142	BALL BEARING 608VVMC2EPS2L	164	DUCT
143	BEARING HOLDER	165	MACHINE SCREW (W/WASHERS) M5 × 8
144	BALL BEARING 6004VVCMP2S	166	WARNING LABEL (C)
145	COVER HOLDER		

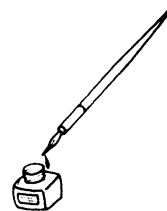
Standard Accessories

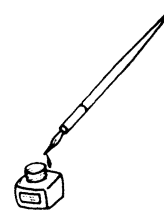
ITEM NO.	PART NAME	ITEM NO.	PART NAME
501	BOX WRENCH 10MM		
502A	DUST BAG		
503	TCT SAW BLADE 216MM-D15.88 HOLE-NT24		

Optional Accessories

ITEM NO.	PART NAME	ITEM NO.	PART NAME
902	TCT SAW BLADE 216MM-D15.88 HOLE-NT36	911	SLEEVE
903	TCT SAW BLADE 216MM-D15.88 HOLE-NT60	912	DUCT HOSE ADAPTER ASSEMBLY (INCLUD. 913)
904	TCT SAW BLADE 216MM-D15.88 HOLE-NT60	913	HOSE BAND
905	GUARD ASSEMBLY (A) (INCLUD. 906 × 911)	914	GUIDE ASSEMBLY (INCLUD. 915 × 918)
906	GUARD ASSEMBLY (INCLUD. 907, 908)	915	HOLDER
907	GUARD (C)	916	STOPPER
908	FLAT HD. SCREW (8RASS) M4 × 6	917	KNOB BOLT M6 × 11
909	KNOB BOLT M8 × 75	918	KNOB BOLT M6 × 52
910	GOVERNOR SPRING		







WARNING:

Some dust created by power sanding, sawing, grinding, drilling, and other construction activities contains chemicals known to the State of California to cause cancer, birth defects or other reproductive harm. Some examples of these chemicals are:

- Lead from lead-based paints,
- Crystalline silica from bricks and cement and other masonry products, and
- Arsenic and chromium from chemically-treated lumber.

Your risk from these exposures varies, depending on how often you do this type of work. To reduce your exposure to these chemicals: work in a well ventilated area, and work with approved safety equipment, such as those dust masks that are specially designed to filter out microscopic particles.

AVERTISSEMENT:

La poussière résultant d'un ponçage, d'un sciage, d'un meulage, d'un perçage ou de toute autre activité de construction renferme des produits chimiques qui sont connus par l'Etat de Californie pour causer des cancers, des défauts de naissance et autres anomalies de reproduction. Nous énumérons ci-dessus certains de ces produits chimiques:

- Plomb des peintres à base de plomb,
- Silice cristalline des briques et du ciment et autres matériaux de maçonnerie, et
- Arsenic et chrome du bois d'oeuvre traité chimiquement.

Le risque d'exposition à ces substances varie en fonction de la fréquence d'exécution de ce genre de travail. Pour réduire l'exposition à ces produits chimiques, travailler dans un lieu bien ventilé, et porter un équipement de protection agréé, par exemple un masque anti-poussière spécialement conçu pour filter les particules microscopiques.

ADVERTENCIA:

Algunos polvos creados por el lijado mecánico, el aserrado, el esmerilado, el taladrado y otras actividades de construcción contienen sustancias químicas conocidas por le Estado de California como agentes cancerígenos, defectos congénitos y otros daños reproductores. Algunos ejemplos de estas sustancias químicas son:

- El plomo de las pinturas a base de plomo,
- El sílice cristalino de los ladrillos y cemento y otros productos de mampostería, y
- El arsénico y el cromo de la madera tratada químicamente.

El riesgo resultante de la exposición varía según la frecuencia con que se realiza este tipo de trabajo. Para reducir la exposición a esta sustancias químicas: trabaje en un lugar bien ventilado y realice el trabajo utilizando el equipamiento apropiado, tal como las máscaras para el polvo especialmente diseñados para eliminar las partículas minúsculas.

Issued by

 **Hitachi Koki Co., Ltd.**

Shinagawa Intercity Tower A,
15-1, Konan 2-chome, Minato-ku, Tokyo 108-6020, Japan

Distributed by

 **Hitachi Koki U.S.A., Ltd.**

3950 Steve Reynolds Blvd.
Norcross, GA 30093

 **Hitachi Koki Canada Co.**

6395 Kestrel Road
Mississauga ON L5T 1Z5

603

Code No. H99308284 N
Printed in Japan