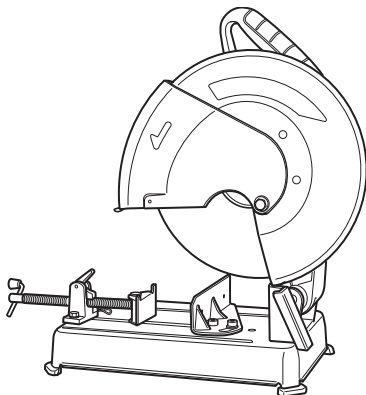


HITACHI

Model
Modèle
Modelo

CC 14SE

**Cut-Off Machine
Machine à meule
Tronzadora**



SAFETY INSTRUCTIONS AND INSTRUCTION MANUAL

WARNING

IMPROPER OR UNSAFE use of this power tool can result in death or serious bodily injury!

This manual contains important information about product safety. Please read and understand this manual **BEFORE** operating the power tool. Please keep this manual available for other users and owners before they use the power tool. This manual should be stored in safe place.

INSTRUCTIONS DE SECURITE ET MODE D'EMPLOI

AVERTISSEMENT

Une utilisation **INCORRECTE OU DANGEREUSE** de cet outil motorisé peut entraîner la mort ou de sérieuses blessures corporelles!

Ce mode d'emploi contient d'importantes informations à propos de la sécurité de ce produit. Prière de lire et de comprendre ce mode d'emploi **AVANT** d'utiliser l'outil motorisé. Garder ce mode d'emploi à la disponibilité des autres utilisateurs et propriétaires avant qu'ils utilisent l'outil motorisé. Ce mode d'emploi doit être conservé dans un endroit sûr.

INSTRUCCIONES DE SEGURIDAD Y MANUAL DE INSTRUCCIONES

ADVERTENCIA

¡La utilización **INAPROPIADA O PELIGROSA** de esta herramienta eléctrica puede resultar en lesiones de gravedad o la muerte!

Este manual contiene información importante sobre la seguridad del producto. Lea y comprenda este manual **ANTES** de utilizar la herramienta eléctrica. Guarde este manual para que puedan leerlo otras personas antes de utilizar la herramienta eléctrica. Este manual debe ser guardado en un lugar seguro.



DOUBLE INSULATION
DOUBLE ISOLATION
AISLAMIENTO DOBLE

CONTENTS

English

	Page		Page
IMPORTANT SAFETY INFORMATION	3	SPECIFICATIONS	9
MEANINGS OF SIGNAL WORDS	3	STANDARD ACCESSORIES	10
SAFETY	4	PREPARATION BEFORE OPERATION	10
FOREWORD	7	BEFORE USING	11
REPLACEMENT PARTS	7	PRACTICAL APPLICATIONS	12
POLARIZED PLUGS	7	CUT-OFF WHEEL DISMOUNTING AND	
DOUBLE INSULATION FOR SAFER		MOUNTING	15
OPERATION	7	MAINTENANCE AND INSPECTION	16
PART NAMES	9	SERVICE AND REPAIRS	17
		PARTS LIST	51

TABLE DES MATIERES

Français

	Page		Page
INFORMATIONS IMPORTANTES		NOM DES PIÈCES	25
DE SÉCURITÉ	18	SPÉCIFICATIONS	25
SIGNIFICATION DES MOTS		ACCESSOIRES STANDARD	26
D'AVERTISSEMENT	18	PRÉPARATION AVANT L'UTILISATION	26
SÉCURITÉ	19	AVANT L'UTILISATION	27
AVANT-PROPOS	23	APPLICATIONS PRATIQUES	28
REMPLACEMENT DES PIÈCES	23	INSTALLATION ET RETRAIT DU DISQUE	
FICHES POLARISEES	23	À TRONÇONNER	32
DOUBLE ISOLATION POUR UN		ENTRETIEN ET INSPECTION	33
FONCTIONNEMENT PLUS SUR	23	SERVICE APRÈS-VENTE ET RÉPARTITIONS	34
		LISTA DE PIÈCES	51

ÍNDICE

Español

	Página		Página
INFORMACIÓN IMPORTANTE SOBRE		NOMENCLATURA	42
SEGURIDAD	35	ESPECIFICACIONES	42
SIGNIFICADO DE LAS PALABRAS DE		ACCESORIOS ESTÁNDAR	43
SEÑALIZACIÓN	35	PREPARATIVOS PREVIOS A LA OPERACIÓN ...	43
SEGURIDAD	36	ANTES DEL USO	44
PROLOGO	40	APLICACIONES PRÁCTICAS	45
PIEZAS DE REPUESTO	40	DESMONTAJE Y MONTAJE DE LA RUEDA	
CLAVIJAS POLARIZADAS	40	DE RECORTAR	48
AISLAMIENTO DOBLE PARA OFRECER UNA		MANTENIMIENTO E INSPECCIÓN	49
OPERACIÓN MÁS SEGURA	40	SERVICIO Y REPARACIONES	50
		LISTA DE PIEZAS	51

IMPORTANT SAFETY INFORMATION

Read and understand all of the safety precautions, warnings and operating instructions in the Instruction Manual before operating or maintaining this power tool.

Most accidents that result from power tool operation and maintenance are caused by the failure to observe basic safety rules or precautions. An accident can often be avoided by recognizing a potentially hazardous situation before it occurs, and by observing appropriate safety procedures.

Basic safety precautions are outlined in the "SAFETY" section of this Instruction Manual and in the sections which contain the operation and maintenance instructions.

Hazards that must be avoided to prevent bodily injury or machine damage are identified by **WARNINGS** on the power tool and in this Instruction Manual.

NEVER use this power tool in a manner that has not been specifically recommended by HITACHI.

MEANINGS OF SIGNAL WORDS

WARNING indicates a potentially hazardous situations which, if ignored, could result in death or serious injury.

CAUTION indicates a potentially hazardous situations which, if not avoided, may result in minor or moderate injury, or may cause machine damage.

NOTE emphasizes essential information.

SAFETY

SAFETY RULES FOR POWER TOOLS.

READ ALL OF THE WARNINGS AND OPERATING INSTRUCTIONS IN THIS MANUAL BEFORE OPERATING OR MAINTAINING THIS TOOL.

⚠ WARNING: When using this electric tool, take all necessary precautions to minimize the risk of electric shock or other personal injury.
In particular, always comply with the following safety rules:

- 1. ALWAYS KEEP GUARDS IN PLACE** and in working order.
- 2. ALWAYS REMOVE ADJUSTING KEYS, WRENCHES AND STOPPER BEFORE STARTING TOOL.** Always confirm that all keys, adjusting wrenches and stopper have been removed from the tool before it is turned on.
- 3. ALWAYS KEEP WORK AREA CLEAN.** Avoid injuries by not cluttering the work areas and work benches.
- 4. NEVER USE TOOL IN HAZARDOUS ENVIRONMENTS.** Never use power tools in damp or wet places, and never expose them to rain. Always keep the work area well lighted.
- 5. KEEP CHILDREN AWAY.** All visitors should be kept safe distance from work area.
- 6. MAKE WORKSHOP KID PROOF** with padlocks, master switches, or by removing starter keys.
- 7. NEVER FORCE THE TOOL.** It will do the job better and more safely if it is operated at the rate for which it was designed.
- 8. ALWAYS USE THE RIGHT TOOLS.** Never force a tool or an attachment to do a job for which it was not designed.
- 9. ALWAYS WEAR PROPER APPAREL WHEN WORKING WITH THE TOOL.** Never wear loose clothing, gloves, neckties, rings, bracelets or other jewelry which may get caught in the moving parts. Always wear non-slip footwear, preferably with steel toes. Wear protective hair covering to contain long hair.
- 10. ALWAYS USE EYE PROTECTION WHEN WORKING WITH THE TOOL, TO PREVENT EYE INJURY.** Ordinary eyeglasses only have impact resistant lenses, they are NOT safety glasses. Also, use a face mask for additional safety, and wear a dust mask if the cutting operation produces dust.
- 11. ALWAYS SECURE THE WORKPIECE TO THE VISE OR THE BASE.**
Use clamps or a vise to hold the workpiece in place. It's safer than using your hand, and it frees both hands to operate the tool.
- 12. NEVER OVERREACH.** Always keep proper footing and balance when working with the tool.
- 13. ALWAYS MAINTAIN TOOLS WITH CARE.** Always keep tools sharp and clean for best and safest performance. Always follow instructions for lubricating the tool and for changing accessories.
- 14. ALWAYS DISCONNECT THE TOOL** before servicing and before changing cut-off wheels or other accessories.
- 15. NEVER RISK UNINTENTIONAL STARTING WHEN PLUGGING IN THE TOOL.** Always confirm that the switch is in the "OFF" position before inserting the power plug into the receptacle.

16. **ALWAYS USE RECOMMENDED ACCESSORIES ONLY, WHEN OPERATING THIS TOOL.** Consult this instruction manual for descriptions of recommended accessories. To avoid personal injuries, use only recommended accessories in conjunction with this tool.
17. **NEVER STAND ON TOOL.** Prevent serious injury by not tipping the tool and by not risking unintentional contact with the cut-off wheel.
18. **ALWAYS CHECK FOR DAMAGED PARTS BEFORE USING TOOL.** Always check the guard and all other components for damage before using the tool, to assure that they will function properly. Check all moving parts for proper alignment, freedom from binding and other conditions that might affect proper operation. Always repair or replace any damaged guards or other damaged components before using the tool.
19. **NEVER LEAVE THE TOOL RUNNING WHILE UNATTENDED; ALWAYS TURN THE POWER OFF WHEN THE TOOL IS NOT IN USE.** Always unplug the power cord when the tool is not in use. Don't leave tool until it comes to a complete stop.
20. This tool was not designed to be used for mass-production applications, and should not be used in mass-production environments.
21. This tool is intended for residential use only.
22. When servicing this tool, use only authorized replacement parts.
23. Apply AC 120 volts only to this tool. Applying the wrong voltage could cause the POWER TOOL to operate improperly and could cause serious personal injury or damage to the tool.

Specific Safety Rules for Use of this Power Tool

⚠ WARNING: The following specific operating instructions must be observed when using this POWER TOOL, to avoid injury:

DO's

ALWAYS OBSERVE THE FOLLOWING RULES, TO ASSURE SAFE USE OF THIS TOOL:

1. Review this Manual and familiarize yourself with the safety rules and operating instructions for this POWER TOOL, before attempting to use it.
2. Always confirm that the POWER TOOL is clean, before using it.
3. Always wear snug-fitting clothing, non-skid footwear (preferably with steel toes) and eye protection, when operating the POWER TOOL.
4. Always handle the POWER TOOL carefully. If the POWER TOOL is dropped or struck against a hard object, it might become deformed or cracked or sustain other damage.
5. Always cease operating the tool at once, if you notice any abnormality whatsoever.
6. Always confirm that all components are mounted properly and securely, before using the tool.
7. When replacing the cut-off wheel, always confirm that the rpm rating of the new wheel is correct for use on this tool.
8. Always shut off the power and wait for the cut-off wheel to completely stop rotating, before undertaking any maintenance or adjustments.
9. Always clamp or otherwise secure the workpiece to the vise; otherwise the workpiece might be thrown from the base and cause bodily harm.
10. Always confirm that the cut-off wheel is free from any cracks, before using the tool.
11. Always confirm that the parts which fix the cut-off wheel are not damaged. Damaged parts cause the breakage of the cut-off wheel.

12. Always make a trial run first, before attempting any new use of the tool.
13. Always use only the peripheral surface of the cut-off wheel.
14. Always handle the cut-off wheel with care, when dismounting and mounting it.
15. Always keep your hands out of the line of the cut-off wheel.
16. Always confirm that the safety cover are in the proper places, before using the tool.
17. Inspect the tool power cord periodically.
18. Always confirm that the proper lengths and types of extension cords are being utilized, when if needed, before starting the tool.
19. Always confirm that the motor air vents are fully open, before using the tool.
20. Always wait until the motor has reached full speed, before starting a cut.
21. Always keep the handles dry, clean and free of oil and grease. Hold the tool firmly, when in use.
22. Always fix the motor section using the chain when carrying about the tool.
23. Always keep the cut-off wheels in a dry place, as humidity affects the strength of the cut-off wheels.

DON'Ts

NEVER VIOLATE THE FOLLOWING RULES, TO ASSURE SAFE USE THIS TOOL:

1. Never operate the POWER TOOL unless you fully understand the operating instructions contained in this Manual.
2. Never leave the POWER TOOL, unattended, without first unplugging the power cord.
3. Never operate the POWER TOOL when you are tired, or after you have taken any medications or have consumed any alcoholic beverages.
4. Never use the POWER TOOL for applications not specified in the Instruction Manual.
5. Never operate the tool while wearing loose clothing, a necktie or jewelry, or while your hair is uncovered, to protect against getting caught in the moving machinery.
6. Never reach around or behind the cut-off wheel.
7. Never touch any moving parts, including the cut-off wheel, while the tool is in use.
8. Never remove any safety devices or wheel guards; use of the tool without them would be hazardous.
9. Never lock the safety cover, (always confirm that it slides smoothly, before using the tool).
10. Never abuse the power cord of the tool.
11. Never attempt to move a plugged-in POWER TOOL while your finger is on the starting switch.
12. Never use the POWER TOOL if the starting switch doesn't turn on and off properly.
13. Never use the POWER TOOL if the plastic housing or the handle is cracked or deformed.
14. Never use the POWER TOOL near flammable liquids or gases, since sparking could cause an explosion.
15. Never clean plastic components with solvents, since the plastic may dissolve.
16. Never operate the tool unless all of the wheel guards are in place.
17. Never allow the cut-off wheel to be struck against a hard object, as it might get cracked.
18. Never twist the cut-off wheel during cutting operation.
19. Never expose hands, feet and fragile things to the grinding sparks, as the grinding sparks may harm them.
20. Never use the lateral side of the cut-off wheel.

WARNING**For Your Own Safety Read This Instruction Manual Before Operating The Cut-Off Machine.**

1. Always wear eye protection, when using the tool.
2. Always keep hands out of the line of the cut-off wheel.
3. Never operate the tool without the guards in place.
4. Never perform any freehand operation with the tool.
5. Never reach around the cut-off wheel.
6. Always shut off the power and wait for the cut-off wheel to stop turning before adjusting or maintaining the tool.

FOREWORD

The information contained in this manual is designed to assist you in the safe operation and maintenance of the POWER TOOL. Some illustrations in this manual may show details or attachments that differ from those on your own POWER TOOL.

REPLACEMENT PARTS

When servicing use only identical replacement parts.
Repairs should be conducted only by a Hitachi authorized service center.

POLARIZED PLUGS

To reduce the risk of electric shock, this equipment has a polarized plug (one blade is wider than the other.) This plug will fit in a polarized outlet, reverse the plug. If it still does not fit, contact a qualified electrician to install a polarized outlet. Do not change the plug in any way.

DOUBLE INSULATION FOR SAFER OPERATION

To ensure safer operation of this electric power tool, HITACHI has adopted a double insulation system. "Double insulation" as used here, means a system of two insulations physically separated and arranged between electrically conductive materials connected to the power supply and to the outer frame handled by the operator. Therefore, the nameplate shows both the " " mark and "Double insulation" or either one on the power tool.

Although this system has no external grounding, you must still follow the normal safety precautions given in this manual.

To keep the double insulation system effective, follow these precautions;

- * To avoid lessening the double insulation-feature, always get in touch with your dealer or an authorized HITACHI power tool repair shop when assembling, disassembling or replacing parts other than accessories or carbon brushes.
- * Clean the exterior of the tool with a soft cloth moistened in soap water, and dry thoroughly.
Don't use chloric solvent, gasoline or thinner on plastic components; otherwise they might dissolve.

**SAVE THESE INSTRUCTIONS
AND
MAKE THEM AVAILABLE TO
OTHER USERS
AND
OWNERS OF THIS TOOL!**

PART NAMES

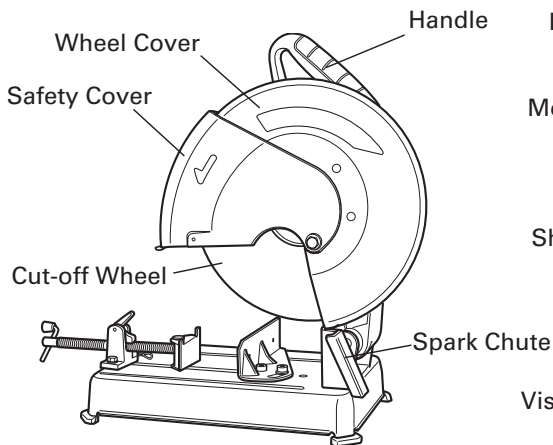


Fig. 1

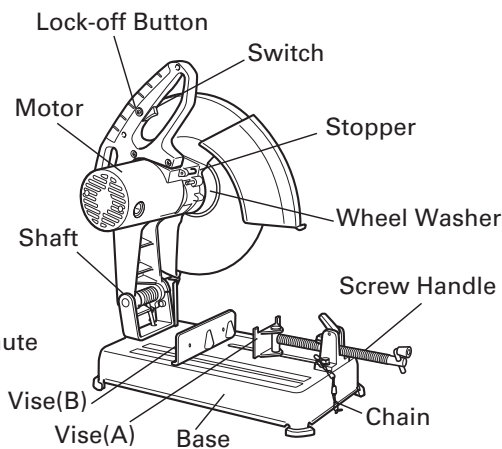


Fig. 2

SPECIFICATIONS

Item	Model	CC 14SE
Motor	Type	Protected type, series commutator motor
	Power source	Single-phase AC 60Hz
	Voltage	120 Volts
	Full-load current	15 Amp
Cut-off wheel	Type	Reinforced resinoid cut-off wheel
	Dimensions	Outside Dia 14" (355 mm)
		Thickness 7/64" (2.8 mm) Hole Dia. 1" (25.4 mm)
Max. working peripheral speed	16000 ft/min (4800 m/min)	
No-load speed	3700 /min	
No-load peripheral speed	13540 ft/min (4125 m/min)	
Applicable workpiece materials	Round bars, pipes and various types of shaped steel	
Max. cutting dimensions	90°	Max. Height 4-17/32" (115 mm) Max. Height 2-49/64" (70 mm) Max. Width 5-1/8" (130 mm) Max. Width 9-1/4" (235 mm)
	45°	Max. Height 4-11/64" (106 mm) Max. Width 4-11/64" (106 mm)
Max. opening of vise	9-29/64" (240 mm)	
Net weight	36 lbs. (16.5 kg)	
Cord	2 conductor type cabtire cable 8 ft (2.3 m)	

STANDARD ACCESSORIES

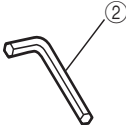


Fig. 3

- ① Cut-Off Wheel 14" × 7/64" × 1" (355 × 2.8 × 25.4 mm)
1pc. (Code No.)
(Attached to the main body)
- ② Hex. bar wrench

⚠ WARNING: The use of attachment or accessories not recommended in this manual may be hazardous.

PREPARATION BEFORE OPERATION

Make the following preparations before operating the power tool:

1. Installation

The machine may be bolted (2 bolts) down to a level location using the bolt holes in the base.

2. Extension Cord.

Ampere rating (on nameplate)	12.1 to 16.0
Ext. cord length	Wire gauge size A.W.G (mm ²)
25 ft (7.5 m)	14 A.W.G (2.0 mm ²)
50 ft. (15 m)	12 A.W.G (3.5 mm ²)
100 ft. (30.5 m)	Not recommended

To use the power tool when no suitable power source is nearby, use an extension cord of suitable size to ensure safety, and to prevent power loss and overheating.

Determine from the accompanying table the required extension cord wire size.

Check power cord and extension cords for loose or exposed wires and damaged insulation, before using.

Repair or replace as needed, before using the power tool.

NOTE: The lower the wire size number, the heavier the wire, and the farther it will carry current without a voltage drop.

⚠ WARNING: Never connect this unit to an electrical power source until all operating instructions have been read and understood.

3. Take off the chain.

As the movable part is pulled down by a chain when shipping out, slightly push the handle down and take off the chain from the handle.

BEFORE USING

1. Make sure the power source is appropriate for the tool.

⚠ WARNING: Never connect the power tool unless the available AC power source is of the same voltage as that specified on the nameplate of the tool.

2. Make sure the trigger switch is turned OFF.

⚠ WARNING: If the power cord is connected to the power source with the trigger switch turned ON, the power tool will start suddenly and could cause a serious accident.

3. Check the cut-off wheel for visible defects.

Confirm that the cut-off wheel is free of cracks or other visible damages.

4. Confirm that the cut-off wheel is fixed securely to the power tool.

Using the supplied hex. bar wrench, tighten the clamping bolt on the cut-off wheel mounting shaft to secure the cut-off wheel.

⚠ WARNING: When the clamping bolt is loose, the cut-off wheel may be damaged when the wheel axle starts revolving, causing a hazardous condition.

5. Check the safety covers for proper operation.

Possible accidents such as a cracked out-off wheel is prevented by this safety cover (wheel cover).

Although it has been fully clamped at the factory prior to delivery, securely reclamp the mounting screws for safety.

Safety cover and wheel cover are designed to protect the operator from coming into contact with the cut off wheel during operation of the tool.

⚠ WARNING: NEVER OPERATE THE POWER TOOL if the safety covers do not function smoothly.

6. Use cut-off wheels whose peripheral speed ratings are over the maximum working peripheral speed.

When replacing the cut-off wheel, ensure that the replacement cut-off wheel has a designed peripheral speed in excess of 16000 ft/min (4800m/min).

⚠ WARNING: Never use cut-off wheels whose peripheral speed ratings are under the maximum working peripheral speed.

7. Confirm the stopper position.

Confirm that the stopper which was used for installtion and removal of the cut-off wheel has returned to the retract position.

8. Securely fix the cutting material.

Ensure that the material is securely fastened with the vise. If it is not, a serious accident could be caused if the material comes loose or the cut-off wheel breaks during operation.

9. Check the Power Receptacle.

To prevent overheating, accidental stopping or intermittent operation, confirm that the power plug fits properly in the electrical receptacle and does not fall out after it is inserted.

Repair or replace the receptacle, if it is faulty.

10. Confirm that the tool's cabtire power cable is not damaged.

Repair or replace the power cord if an inspection of the cabtire cable indicates that it is damaged.

AFTER CONNECTING THE POWER PLUG TO AN APPROPRIATE AC POWER SOURCE, CHECK THE OPERATION OF THE TOOL, AS FOLLOWS:

11. Trial Run.

After confirming that no one is standing in front of it, step away from the front position and start the power tool and confirm that no operating abnormalities exist before attempting a cutting operation.

Trial run periods:

When replacing the cut-off wheel Over 3 minutes.

When starting routine work Over 1 minute.

12. Inspect the rotating stability of the cut-off wheel.

For precise cutting, rotate the cut-off wheel and check for deflection to confirm that the wheel is not noticeably unstable; otherwise vibration might occur and cause an accident.

PRACTICAL APPLICATIONS

⚠ WARNING: Never remove or install a workpiece while the cut-off wheel is rotating, to avoid personal injury.

1. Procedure for fixing the cutting material (Fig. 4 and 5).

Quick Vise

Place the workpiece material between Vise (A) and Vise (B), raise the clutch and push the Screw Handle to bring Vise (A) lightly into contact with the workpiece material, as shown in Fig. 4. Then, turn the clutch down, and securely fix the workpiece material in position by turning the Screw Handle. When the cutting job is completed, turn the Screw Handle 2 or 3 times to loosen the vise, and remove the workpiece material, as shown in Fig. 5.

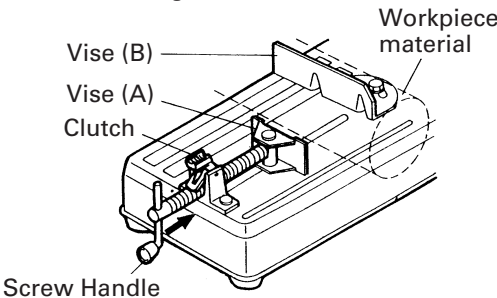


Fig. 4

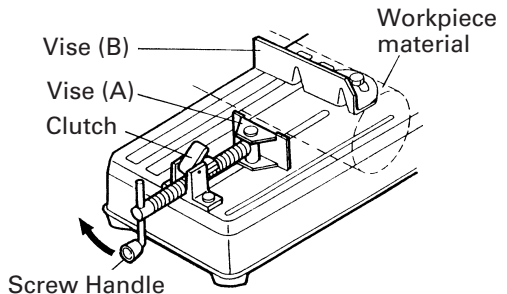


Fig. 5

2. Switch operation.

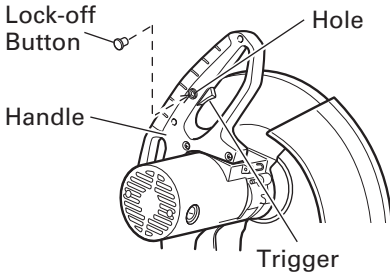


Fig. 6

The trigger switch lock-off button is designed to prevent inadvertent operation of the power tool. To operate the power tool, it is necessary to first fully insert the lock-off button into the hole on the handle (see Fig.6).

The trigger switch will not operate unless the lock-off button has been pushed in.

When the trigger switch is released, the power goes off and the lock-off button automatically returns to its original position, locking the trigger switch.

⚠ WARNING: Always remove the lock-off button from the handle when the power tool is not in use. This will ensure that the power tool cannot be turned on accidentally, or by someone (especially a child) not qualified to use the power tool. If the lock-off button is left in the handle, serious personal injury could result. Since the lock-off button fits rather tightly, it may be necessary to turn it to the left and right during mounting and removing.

3. Cutting operation.

- (1) Rotate the cut-off wheel, gently press down the handle, and bring the cut-off wheel close to the material to be cut.
- (2) When the cut-off wheel contacts the material, gently press down the handle further and start cutting.
- (3) When cutting (or designated slotting) is completed, raise the handle and restore it to its original position.
- (4) At the termination of each cutting process, turn OFF the switch to stop rotation and proceed with the subsequent cutting job.

⚠ WARNING: Confirm that the trigger switch is turned OFF and that the power plug has been removed from the receptacle, whenever the tool is not in use.

Always remove the lock-off button from the handle, and store it in a secure place, after completing the work.

⚠ CAUTION:

- Increased pressure on the handle will not increase the cutting speed. On the contrary, too much pressure may result in overload of the motor and/or decreased cutting efficiency.

4. Cutting at angles (Fig. 7 and 8).

The machine permits cutting at angles of 45° or 60°

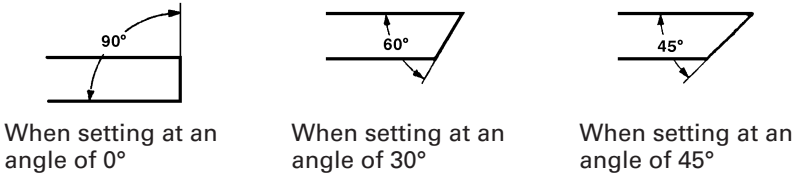


Fig. 7

Loosen the two M10 hexagon socket head bolts on the vise (B), then set the working surface on the vise-jaw at any angles of 0°, 30° or 45° as shown in Fig. 7. Upon completion of setting, securely tighten the two M10 hexagon socket head bolts, as shown in Fig. 8.

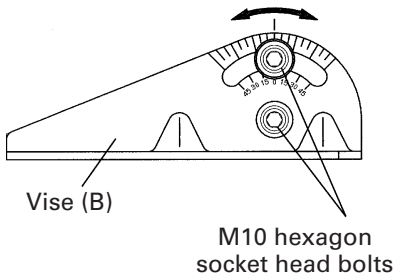


Fig. 8

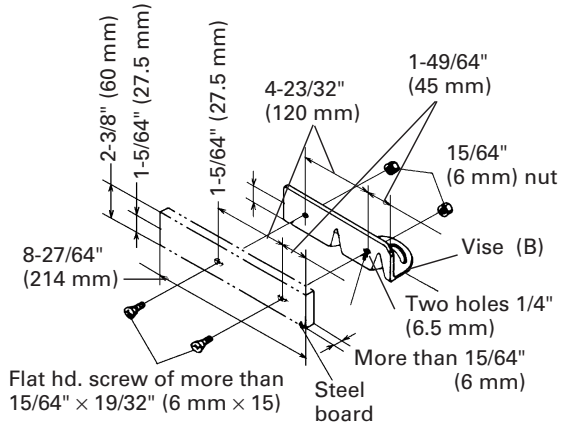
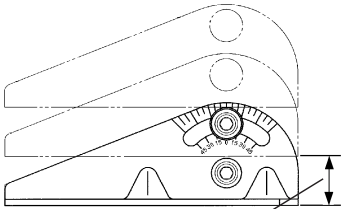


Fig. 9

When wide material is to be cut at an angle, it should be firmly clamped by fixing a steel board like Fig. 9 to the vise (B), as shown in Fig. 9.

5. Moving the stationary vise-jaw (Fig. 10).



The vise jaws open to 6-11/16" (170 mm) while the vise can be set in two steps 8-5/64" (205 mm) and 9-7/16" (240 mm)

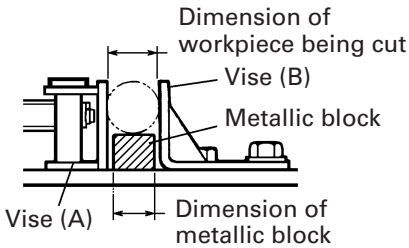
Fig. 10

The vise opening is set at the maximum of 6-11/16" (170 mm) when shipped from the factory. In case an opening more than 6-11/16" (170 mm) is required, move the vise-jaw to the position shown by the chain line, after unscrewing the two bolts.

The maximum opening can be set in two steps 8-5/64" (205 mm) and 9-7/16" (240 mm).

When the material to be cut is excessively wide, the vise can be effectively used by repositioning the stationary side of the vise jaws.

6. Using a Metallic Block (Fig. 11).



(Should be slightly smaller than the workpiece being cut)

Fig. 11

When the cut-off wheel has a reduced outer diameter, insert between the vise (A) and (B) a metallic block slightly smaller than the dimension of workpiece being cut to use the cut-off wheel economically.

CUT-OFF WHEEL DISMOUNTING AND MOUNTING

⚠ WARNING: Always turn off the trigger switch and disconnect the power plug from the receptacle before dismantling or mounting a wheel, to prevent accidental injury.

1. Dismounting the Cut-Off Wheel (Fig. 12).

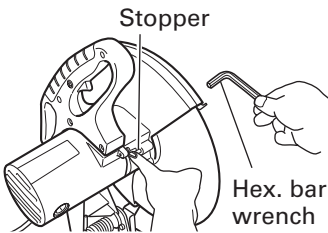


Fig. 12

(1) Press the stopper and loosen the bolt with a spanner.

NOTE: When the mounting shaft for cut-off wheel cannot be fixed by pressing the stopper, turn the bolt with a hex. bar wrench while pressing the stopper. The mounting shaft for cut-off wheel is fixed when the stopper has been lowered.

(2) Remove the bolt, washer (A), and the wheel washer and detach the cut-off wheel.

2. Mounting the Cut-Off Wheel.

Thoroughly remove dust from the wheel washers, washer (A) and bolt, then mount the wheel by following the dismantling procedures in reverse order.

⚠ CAUTION:

- Confirm that the stopper has returned to the retract position after installing or removing the cut-off wheel.
- Tighten the bolt so that it doesn't come loose during operation of the cut-off wheel. Confirm that the bolt has been properly tightened before the power tool is started.

MAINTENANCE AND INSPECTION

⚠ WARNING: Always confirm that the trigger switch is turned OFF and that the power plug has been disconnected from the receptacle before performing any maintenance or inspection of this tool, to avoid accidental injury.

1. Replacing a cut-off wheel.

When the cut-off wheel has already become dull by frequent use, it can cause overload to the motor.

Consequently, re-dress or replace a dull cut-off wheel to ensure cut-off efficiency.

2. Inspecting the carbon brushes (Fig. 13 and 14).

The carbon brushes in the motor are expendable parts.

If the brushes become excessively worn, motor trouble might occur.

Therefore, inspect the brushes periodically, and replace them when they have become worn to the wear limit line, as shown in Fig. 13.

Also, keep the carbon brushes clean be so that they will slide smoothly within the brush holders. The carbon brushes can easily be removed after disassembling the brush caps (see Fig. 14) with a slotted (minus) screwdriver.

Indicates the last two number of carbon brush Code No.

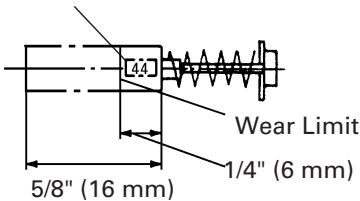


Fig. 13

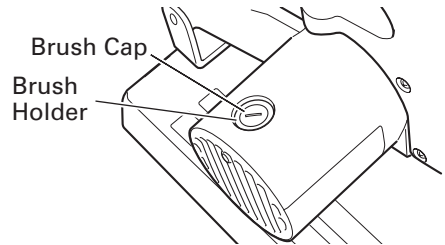


Fig. 14

3. Inspecting the mounting screws.

Regularly inspect each component of the power tool for looseness.

Re-tighten mounting screws on any loose part.

⚠ WARNING: Never operate the power tool if any components are loose, to prevent personal injury.

4. Inspecting the safety cover for condition and proper operation.

Before each use of the tool, test the safety cover (see Fig. 1) to assure that it is in good condition and that it moves smoothly.

Never use the tool unless the safety cover operates properly, and unless it is in good mechanical condition.

5. Storage.

Confirm that the trigger switch is turned OFF, that the power plug has been removed from the receptacle and that the lock-off button has been removed and has been stored in a secure place, after operation of the tool has been completed.

When the tool is not in use, keep it stored in a dry place out of the reach of children.

6. Lubrication.

Lubricate the following sliding surfaces once a month to keep the power tool in good operating condition for a long time (see Fig.1 and 2). Use of machine oil is recommended.

Oil supply points:

- *Rotary portion of shaft.
- *Rotary portion of vise.
- *Rotary portion of vise-jaw.
- *Quick vise.

7. Cleaning.

Periodically remove chips and other waste material from the surface of the power tool with a damp, soapy cloth. To avoid a malfunction of the motor, protect it from contact with oil or water.

8. Service parts list

- A: Item No.
- B: Code No.
- C: No. Used
- D: Remarks

CAUTION

Repair, modification and inspection of Hitachi Power Tools must be carried out by an Hitachi Authorized Service Center.

This Parts List will be helpful if presented with the tool to the Hitachi Authorized Service Center when requesting repair or other maintenance.

In the operation and maintenance of power tools, the safety regulations and standards prescribed in each country must be observed.

MODIFICATIONS

Hitachi Power Tools are constantly being improved and modified to incorporate the latest technological advancements.

Accordingly, some parts (i.e. code numbers and/or design) may be changed without prior notice.

SERVICE AND REPAIRS

All quality power tools will eventually require servicing or replacement of parts because of wear from normal use. To assure that only authorized replacement parts will be used, and that the double insulation system will be protected, all service (other than routine maintenance) must be performed by an AUTHORIZED HITACHI POWER TOOL REPAIR CENTER, ONLY.

NOTE: Specifications are subject to change without any obligation on the part of HITACHI.

INFORMATIONS IMPORTANTES DE SÉCURITÉ

Lire et comprendre toutes les précautions de sécurité, les avertissements et les instructions de fonctionnement dans ce mode d'emploi avant d'utiliser ou d'entretenir cet outil motorisé.

La plupart des accidents causés lors de l'utilisation ou de l'entretien de l'outil motorisé proviennent d'un non respect des règles ou précautions de base de sécurité. Un accident peut la plupart du temps être évité si l'on reconnaît une situation de danger potentiel avant qu'elle ne se produise, et en observant les procédures de sécurité appropriées.

Les précautions de base de sécurité sont mises en évidence dans la section "SECURITE" de ce mode d'emploi et dans les sections qui contiennent les instructions de fonctionnement et d'entretien.

Les dangers qui doivent être évités pour prévenir des blessures corporelles ou un endommagement de la machine sont identifiés par AVERTISSEMENTS sur l'outil motorisé et dans ce mode d'emploi.

NE JAMAIS utiliser cet outil motorisé d'une manière qui n'est pas spécifiquement recommandée par HITACHI.

SIGNIFICATION DES MOTS D'AVERTISSEMENT

AVERTISSEMENT indique des situations potentiellement dangereuses qui, si elles sont ignorées, pourraient entraîner la mort ou de sérieuses blessures.

PRECAUTION indique des situations dangereuses potentielles qui, si elles ne sont pas évitées, peuvent entraîner de mineures et légères blessures ou endommager la machine.

REMARQUE met en relief des informations essentielles.

SÉCURITÉ

CONSIGNES DE SÉCURITÉ RELATIVES AUX OUTILS ÉLECTRIQUES.

LIRE TOUS LES AVERTISSEMENTS ET TOUTES LES INSTRUCTIONS D'UTILISATION DU MANUEL AVANT DE METTRE L'OUTIL EN SERVICE OU DE L'ENTREtenir :

- ⚠ AVERTISSEMENT:** Lorsqu'on utilise l'outil électrique, prendre toutes les précautions nécessaires pour éviter au maximum tout risque de choc électrique ou autre blessure physique. En particulier, toujours respecter les consignes de sécurité suivantes :
- 1. TOUJOURS LAISSER LES PROTECTIONS EN PLACE** et les maintenir en bon ordre de marche.
 - 2. TOUJOURS RETIRER LES CLAVETTES DE RÉGLAGE, CLÉS ET BUTÉE AVANT DE METTRE L'OUTIL EN MARCHÉ.** Toujours vérifier que les clavettes de réglage, les clés et la butée sont bien toutes retirées de l'outil avant de le mettre en marche.
 - 3. TOUJOURS MAINTENIR L'AIRE DE TRAVAIL PROPRE.** Pour éviter tout risque de blessure, ne pas encombrer l'aire de travail ni l'établi.
 - 4. NE JAMAIS UTILISER L'OUTIL DANS UN ENVIRONNEMENT DANGEREUX.** Ne jamais utiliser l'outil électrique dans un endroit humide ou mouillé, et ne jamais l'exposer à la pluie. Toujours veiller à ce que l'aire de travail soit suffisamment éclairée.
 - 5. NE JAMAIS LAISSER LES ENFANTS APPROCHER.** Tous les visiteurs devront rester à une distance suffisamment éloignée de l'aire de travail.
 - 6. Rendre l'accès de l'aire de travail impossible aux enfants|||, notamment à l'aide de cadenas, interrupteurs maîtres, ou en retirant les clés de mise en marche.**
 - 7. NE JAMAIS FORCER SUR L'OUTIL.** effectuera le travail le meilleur et avec la sécurité maximale au régime pour lequel il a été conçu.
 - 8. TOUJOURS UTILISER LES OUTILS APPROPRIÉS.** Ne jamais utiliser un outil ou un accessoire pour un travail pour lequel il n'est pas conçu.
 - 9. PORTER DES VÊTEMENTS APPROPRIÉS PENDANT LE TRAVAIL.** Ne jamais porter de vêtements lâches ni de gants, cravate, bagues, bracelets ni aucun autre bijou qui pourraient se coincer dans les pièces en rotation. Toujours porter des chaussures anti-dérapantes, de préférence avec des doigts de pied en acier. Porter un couvre-chef qui recouvre les cheveux longs.
 - 10. TOUJOURS PORTER DES LUNETTES DE PROTECTION PENDANT LE TRAVAIL POUR ÉVITER TOUT RISQUE DE BLESSURE DES YEUX.** Les lunettes ordinaires N'assurent PAS une protection suffisante parce que les verres ne sont pas faits en verre résistant aux chocs. Par ailleurs, porter un masque sur le visage pour accroître la sécurité, et un masque anti-poussière si le travail doit dégager de la poussière.
 - 11. TOUJOURS FIXER LA PIÈCE DANS L'ÉTAU OU SUR LE SOCLE.** Utiliser des dispositifs de serrage ou un étau pour tenir la pièce. Cela sera plus sûr que de tenir la pièce à la main et libérera les deux mains pour le travail.
 - 12. NE JAMAIS TROP SE PENCHER.** Toujours garder une bonne assise et un bon équilibre pendant le travail.

13. **TOUJOURS ENTRETENIR LES OUTILS AVEC SOIN.** Toujours maintenir les outils aiguisés et propres pour optimiser le travail et la sécurité. Toujours suivre les instructions de graissage et de remplacement des accessoires.
14. **TOUJOURS DÉBRANCHER L'OUTIL** avant un entretien et lors du remplacement du disque à tronçonner ou de tout autre accessoire.
15. **NE JAMAIS RISQUER UNE MISE EN MARCHÉ INOPINÉE LORSQU'ON BRANCHE L'OUTIL.** Toujours vérifier que l'interrupteur est en position "OFF" avant de brancher la fiche d'alimentation dans la prise secteur.
16. **TOUJOURS UTILISER EXCLUSIVEMENT LES ACCESSOIRES RECOMMANDÉS POUR L'OUTIL.** Consulter le manuel d'instructions pour la description des outils recommandés. Pour éviter tout risque de blessure, utiliser exclusivement les accessoires recommandés pour cet outil.
17. **NE JAMAIS SE TENIR DEBOUT SUR L'OUTIL.** Pour éviter tout risque de blessure grave, ne pas toucher l'outil et éviter tout contact fortuit avec le disque à tronçonner.
18. **TOUJOURS VÉRIFIER SI L'OUTIL A DES PIÈCES ENDOMMAGÉES AVANT DE L'UTILISER.** Toujours vérifier si la protection et les autres composants sont endommagés avant d'utiliser l'outil pour s'assurer qu'ils fonctionneront correctement. Vérifier si toutes les pièces mobiles sont bien alignées, non voilées, ou toute autre condition qui pourrait entraver leur bon fonctionnement. Toujours réparer ou remplacer les protections ou les autres pièces endommagées avant d'utiliser l'outil.
19. **NE JAMAIS S'ÉLOIGNER DE L'OUTIL QUAND IL FONCTIONNE ; TOUJOURS LE METTRE HORS TENSION QUAND ON NE S'EN SERT PAS.** Toujours débrancher le cordon d'alimentation quand on ne se sert pas de l'outil. Ne pas s'éloigner de l'outil tant qu'il n'est pas complètement arrêté.
20. L'outil n'est pas conçu pour des applications de fabrication en série, et il ne devra donc pas être utilisé dans un environnement de fabrication en série.
21. L'outil est conçu exclusivement pour un usage domestique.
22. Pour les réparations, utiliser exclusivement des pièces de rechange agréées.
23. Alimenter l'outil exclusivement sur un courant alternatif de 120 volts. Une tension ou une alimentation incorrectes pourraient provoquer un mauvais fonctionnement de l'OUTIL ELECTRIQUE et provoquer de graves blessures physiques ou de graves dommages matériels de l'outil.

Consignes de sécurité spéciales pour cet outil électrique

⚠ AVERTISSEMENT: Pour éviter tout risque de blessure, respecter les consignes de sécurité spéciales suivantes lors de l'utilisation de l'OUTIL ELECTRIQUE :

CHOSSES À FAIRE

TOUJOURS OBSERVER LES CONSIGNES SUIVANTES POUR GARANTIR UNE UTILISATION EN TOUTE SÉCURITÉ :

1. Bien lire le manuel et se familiariser avec les consignes de sécurité et les instructions d'utilisation de l'OUTIL ELECTRIQUE avant de l'utiliser.
2. Toujours vérifier que l'OUTIL ELECTRIQUE est propre avant de l'utiliser.

3. Toujours porter des vêtements bien ajustés et des chaussures anti-dérapantes (de préférence avec des doigts de pied en acier) et des lunettes de protection lorsqu'on utilise l'OUTIL ELECTRIQUE.
4. Toujours manier l'OUTIL ELECTRIQUE avec soin. Si l'OUTIL ELECTRIQUE tombe ou qu'il heurte un objet dur, il risque de se déformer, de se fendiller ou autre dommage.
5. Toujours cesser immédiatement d'utiliser l'outil si l'on remarque quelque chose d'anormal.
6. Toujours vérifier que les pièces sont toutes correctement montées et fixées avant d'utiliser l'outil.
7. Pour le remplacement du disque à tronçonner, toujours vérifier que le régime nominal du nouveau disque convient pour l'outil.
8. Toujours mettre l'outil hors tension et attendre que le disque à tronçonner ait complètement cessé de tourner avant tout entretien ou tout réglage.
9. Toujours visser ou fixer la pièce dans l'étau, pour qu'elle ne risque pas d'être éjectée du socle et de provoquer des blessures.
10. Toujours vérifier que le disque à tronçonner n'est pas fissuré avant d'utiliser l'outil.
11. Toujours vérifier que les pièces qui fixent le disque à tronçonner ne sont pas fissurées avant d'utiliser l'outil. Des pièces endommagées pourraient provoquer une rupture du disque.
12. Toujours faire un essai avant d'utiliser l'outil pour un nouvel usage.
13. Toujours utiliser uniquement la surface périphérique du disque à tronçonner.
14. Toujours manipuler le disque à tronçonner avec soin lorsqu'on le démonte ou qu'on le monte.
15. Toujours éloigner les mains du trajet de lame.
16. Toujours vérifier que le carter de sécurité est en place avant d'utiliser l'outil.
17. Inspecter périodiquement le cordon d'alimentation.
18. Le cas échéant, toujours vérifier que l'on utilise des cordons et des rallonges du type et de la longueur voulus avant de mettre l'outil en marche.
19. Toujours vérifier que les événements d'aération du moteur sont complètement dégagés avant d'utiliser l'outil.
20. Toujours attendre que le moteur ait atteint sa vitesse de régime avant d'entamer une coupe.
21. Toujours maintenir les poignées sèches, propres et sans huile ni graisse. Tenir l'outil fermement pendant le travail.
22. Toujours fixer la section du moteur avec une chaîne pour transporter l'outil.
23. Toujours ranger les disques à tronçonner dans un endroit sec, car l'humidité aura un effet néfaste sur la résistance des disques à tronçonner.

CHOSSES A NE PAS FAIRE

POUR GARANTIR UNE UTILISATION EN TOUTE SÉCURITÉ, NE JAMAIS VIOLER LES CONSIGNES SUIVANTES :

1. Ne jamais utiliser l'OUTIL ELECTRIQUE si l'on ne comprend pas bien les instructions de ce manuel.
2. Ne jamais s'éloigner de l'OUTIL ELECTRIQUE sans débrancher auparavant son cordon d'alimentation.

3. Ne jamais utiliser l'OUTIL ELECTRIQUE quand on est fatigué, après avoir pris des médicaments ou consommé des boissons alcoolisées.
4. Ne jamais utiliser l'OUTIL ELECTRIQUE pour des applications non spécifiées dans ce manuel d'instructions.
5. Ne jamais faire fonctionner l'outil si l'on porte des vêtements lâches, une cravate ou des bijoux, ou sans se couvrir les cheveux, pour éviter qu'ils ne se prennent dans les pièces mobiles.
6. Ne jamais passer les mains autour ou derrière le disque à tronçonner.
7. Ne jamais toucher les pièces en mouvement, y compris le disque à tronçonner, pendant le fonctionnement de l'outil.
8. Ne jamais retirer les dispositifs de sécurité ni les protections de lame ; l'utilisation de l'outil serait dangereuse sans ces pièces.
9. Ne jamais verrouiller le carter de sécurité (toujours vérifier qu'il glisse régulièrement avant d'utiliser l'outil).
10. Ne jamais endommager le cordon d'alimentation de l'outil.
11. Quand l'OUTIL ELECTRIQUE est branché, ne jamais tenter de le déplacer avec le doigt sur l'interrupteur de marche.
12. Ne jamais utiliser l'OUTIL ELECTRIQUE si l'interrupteur de marche ne fonctionne pas correctement.
13. Ne jamais utiliser l'OUTIL ELECTRIQUE si le logement en plastique ou la poignée sont déformés ou fendillés.
14. Ne jamais utiliser l'OUTIL ELECTRIQUE à proximité de liquides ou de gaz inflammables, car les étincelles pourraient provoquer une explosion.
15. Ne jamais nettoyer les composants en plastique avec des solvants car cela risquerait de dissoudre le plastique.
16. Ne jamais faire fonctionner l'outil si les protections de lame ne sont pas toutes en place.
17. Ne jamais laisser le disque à tronçonner heurter un objet dur car il pourrait se fendre.
18. Ne jamais faire subir de mouvement de torsion au disque à tronçonner pendant le fonctionnement.
19. Ne jamais exposer les mains, les pieds ni des objets fragiles aux étincelles du meulage, car ces étincelles pourraient les endommager.
20. Ne jamais utiliser le côté latéral du disque à tronçonner.

AVERTISSEMENT

POUR VOTRE PROPRE SÉCURITÉ, LISEZ ATTENTIVEMENT CE MANUEL D'INSTRUCTIONS AVANT D'UTILISER LA MACHINE À MEULE.

1. Toujours porter des lunettes de protection lorsqu'on utilise l'outil.
2. Toujours éloigner les mains du trajet de lame.
3. Ne jamais faire fonctionner l'outil si les protections ne sont pas en place.
4. Ne jamais effectuer d'opération à la volée avec l'outil.
5. Ne jamais passer la main autour du disque à tronçonner.
6. Toujours mettre l'outil hors tension et attendre que le disque ait complètement cessé de tourner avant de régler ou d'entretenir l'outil.

AVANT-PROPOS

Les informations contenues dans ce manuel sont destinées à vous aider à utiliser et à entretenir l'OUTIL ELECTRIQUE en toute sécurité. Certaines illustrations de ce manuel peuvent montrer des détails ou des fixations qui diffèrent de ceux de votre OUTIL ELECTRIQUE.

REPLACEMENT DES PIECES

Pour l'entretien, utiliser uniquement des pièces de rechange identiques.
Confier les réparations exclusivement à un personnel d'entretien Hitachi agréé.

FICHES POLARISEES

Pour réduire tout risque de choc électrique, l'outil possède une fiche polarisée (l'une des lames est plus large que l'autre). Si cette fiche ne rentre pas dans une prise polarisée, inverser la fiche. Si elle ne rentre toujours pas, faire installer une prise polarisée par un électricien qualifié. Ne pas modifier la fiche de quelque façon que ce soit.

DOUBLE ISOLATION POUR UN FONCTIONNEMENT PLUS SUR

Pour garantir un fonctionnement en toute sécurité de cet outil électrique, HITACHI a adopté un système de double isolation. Ici, le terme "double isolation" représente un système de deux isolations séparées physiquement et disposées entre des matériaux conducteurs raccordés à l'alimentation et au châssis extérieur manipulé par l'opérateur. C'est pourquoi la plaque signalétique porte à la fois la marque "Ⓜ" et la mention "Double isolation", ou l'une ou l'autre, sur l'outil électrique.

Bien que ce système ne possède pas de mise à la terre externe, il faudra cependant respecter les consignes de sécurité données dans ce manuel.

Pour conserver l'efficacité du système de double isolation, observer les précautions suivantes :

- * Pour éviter tout amoindrissement de la fonction de double isolation, toujours contacter son revendeur ou un service après-vente Hitachi agréé pour le montage, le démontage ou le remplacement des pièces autres que les accessoires ou les balais en carbone.
- * Nettoyer l'extérieur de l'outil avec un chiffon doux humecté d'eau savonneuse, puis le sécher complètement.

Ne pas utiliser de solvants à base de chlore, essence ou diluants sur les pièces en plastiques ; elles pourraient se dissoudre.

**CONSERVER
CES INSTRUCTIONS
ET
LES METTRE A LA DISPOSITION
DES AUTRES UTILISATEURS
ET
PROPRIETAIRES DE CET OUTIL!**

NOM DES PIÈCES

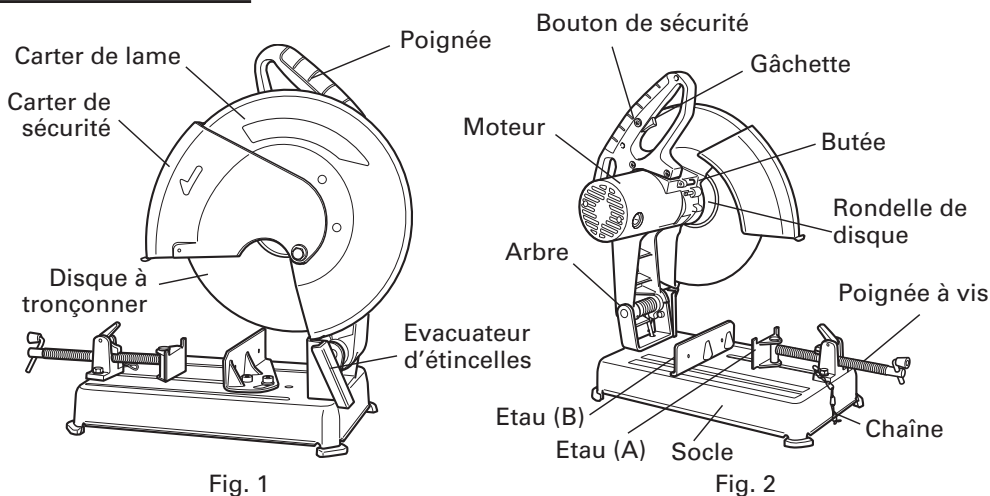


Fig. 1

Fig. 2

SPÉCIFICATIONS

Elément	Modèle	CC 14SE
Moteur	Type	Moteur à commutateur en série, type protégé
	Source d'alimentation	Monophasée, CA 60 Hz
	Tension	120 volts
	Courant à pleine charge	15 Amp
Disque à tronçonner	Type	Disque à tronçonner résinoïde renforcé
	Dimensions	Dia. extérieur 14" (355 mm)
		Epaisseur 7/64" (2,8 mm)
Dia. d'orifice 1" (25,4 mm)		
	Vitesse périphérique de travail maximale	16000 ft/mn (4800 m/mn)
Vitesse à vide		3700 /min
Vitesse périphérique à vide		13540 ft/mn (4125 m/mn)
Matériaux applicables		Ronds, tuyaux et différents types d'acier profilé
Dimensions de coupe maxi.	90°	Hauteur maxi. 4-17/32" (115 mm) Hauteur maxi. 2-49/64" (70 mm) Largeur maxi. 5-1/8" (130 mm) Largeur maxi. 9-1/4" (235 mm)
	45°	Hauteur maxi. 4-11/64" (106 mm) Largeur maxi. 4-11/64" (106 mm)
Ouverture maxi. de l'étau		9-29/64" (240 mm)
Poids net		36 lbs (16.5 kg)
Cordon		Câble sous gaine de caoutchouc à 2 conducteurs, 8 ft (2,3 m)

ACCESSOIRES STANDARD



Fig. 3

- ① Disque à tronçonner 14" × 7/64" × 1" (355 × 2,8 × 25,4 mm) × 1 (Code No.)
(Fixé au corps principal)
- ② Clé hexagonale

⚠ AVERTISSEMENT: L'utilisation de fixations ou d'accessoires non recommandés dans ce manuel risque d'être dangereuse.

PRÉPARATION AVANT L'UTILISATION

Effectuer les préparations suivantes avant d'utiliser l'outil électrique.

1. Installation

Il est possible d'arrimer (2 boulons) l'outil sur une surface de niveau en utilisant les deux orifices pour boulon du socle.

2. Cordon de rallonge

Ampérage (sur la plaque signalétique)	12,1 à 16,0
Longueur du cordon de rallonge	Calibre A.W.G (mm ²)
25 ft (7,5 m)	14 A.W.G (2,0 mm ²)
50 ft. (15 m)	12 A.W.G (3,5 mm ²)
100 ft. (30,5 m)	Non recommandé

Pour utiliser l'outil électrique lorsqu'il n'y a pas de source d'alimentation appropriée à proximité, utiliser un cordon de rallonge du calibre approprié afin de garantir la sécurité et pour éviter toute perte de chaleur et toute surchauffe.

Rechercher dans le tableau ci-contre le calibre qui convient pour l'outil électrique.

Vérifier si le cordon d'alimentation et les cordons de rallonge ne sont pas lâches et si leur isolation n'est pas endommagée avant d'utiliser l'outil électrique.

REMARQUE: Plus le calibre du fil est petit, plus le fil est lourd, et plus il acheminera le courant loin sans chute de tension.

⚠ AVERTISSEMENT: Ne jamais raccorder l'outil à une source d'alimentation avant d'avoir bien compris et assimilé toutes les instructions d'utilisation.

3. Enlever la chaîne.

La partie mobile étant maintenue abaissée par une chaîne lorsque l'outil quitte nos usines, appuyer légèrement sur la poignée et retirer la chaîne de la poignée.

AVANT L'UTILISATION

1. S'assurer que la source d'alimentation convient pur l'outil.

⚠ AVERTISSEMENT: Ne jamais raccorder l'outil électrique si la source d'alimentation secteur n'est pas de la tension spécifiée sur la plaque signalétique de l'outil.

2. S'assurer que la gâchette est coupée (OFF).

⚠ AVERTISSEMENT: Si l'on raccorde le cordon d'alimentation à la source d'alimentation avec la gâchette enclenchée (ON), l'outil électrique risque de se mettre brusquement en marche et de provoquer un accident grave.

3. Vérifier si le disque à tronçonner a des défauts visibles.

S'assurer que le disque à tronçonner n'a ni fissures ni dommages visibles.

4. S'assurer que le disque à tronçonner est solidement fixé sur l'outil électrique. A l'aide de la clé hexagonale fournie, serrer le boulon de serrage de l'arbre de montage du disque à tronçonner pour fixer le disque.

⚠ AVERTISSEMENT: Si le boulon de serrage est lâche, le disque risque de s'endommager lorsque l'arbre commencera à tourner, ce qui serait dangereux.

5. Vérifier le fonctionnement des carters de sécurité.

Les accidents potentiels (par exemple fissure du disque à tronçonner) pourront être évités avec ce carter de sécurité (carter de lame).

Bien que le carter de sécurité ait été serré à fond avant de quitter nos usines, resserrer les vis de montage à fond à titre de sécurité.

Le carter de sécurité et le carter de lame ont été conçus pour protéger l'opérateur de tout contact avec le disque à tronçonner pendant le fonctionnement.

⚠ AVERTISSEMENT: NE JAMAIS FAIRE FONCTIONNER L'OUTIL ÉLECTRIQUE si les carters de sécurité ne fonctionnent pas régulièrement.

6. Utiliser des disques à tronçonner dont la vitesse nominale à la périphérie dépasse la vitesse périphérique de travail maximale.

Lors du remplacement du disque à tronçonner, s'assurer que le disque de rechange possède une vitesse périphérique supérieure à 16 000 ft/mn (4 800 m/mn).

⚠ AVERTISSEMENT: Ne jamais utiliser de disques à tronçonner dont la vitesse nominale à la périphérie est inférieure à la vitesse périphérique de travail maximale.

7. Vérifier la position de la butée.

Vérifier que la butée qui a été utilisée pour l'installation et le retrait du disque à tronçonner est revenue en position rentrée.

8. Fixer le matériau de coupe solidement.

S'assurer que le matériau est solidement fixé dans l'étau. S'il ne l'est pas, il risque de se produire un grave accident si le matériau se relâche ou que le disque à tronçonner se brise pendant le fonctionnement.

9. Vérifier la prise d'alimentation.

Pour éviter toute surchauffe, arrêt accidentel ou fonctionnement intermittent, vérifier que la fiche d'alimentation rentre bien à fond dans la prise électrique et qu'elle ne ressort pas après avoir été insérée.

Réparer ou remplacer la prise si elle est défectueuse.

10. Vérifier que le cordon d'alimentation sous gaine de caoutchouc de l'outil n'est pas endommagé.

Réparer ou remplacer le cordon d'alimentation si une inspection du câble sous gaine de caoutchouc révèle un défaut.

BRANCHER LA FICHE D'ALIMENTATION DE L'OUTIL DANS UNE SOURCE SECTEUR APPROPRIÉE, PUIS VÉRIFIER LE FONCTIONNEMENT DE L'OUTIL EN PROCÉDANT COMME SUIT :

11. Essai de fonctionnement

Vérifier qu'il n'y a personne devant l'outil, puis s'éloigner de la section avant, mettre l'outil en marche et vérifier que l'outil fonctionne sans anomalies avant de procéder à une opération de coupe.

Durée des essais de fonctionnement :

Lors du remplacement du disque à tronçonner Plus de 3 minutes

Avant de commencer un travail de routine Plus d'une minute

12. Inspecter la stabilité de rotation du disque à tronçonner.

Pour obtenir des coupes précises, faire tourner le disque à tronçonner et voir s'il n'y a pas de flèche pour s'assurer que le disque ne présente pas d'instabilité notable ; sinon, il risque d'engendrer des vibrations et de provoquer un accident.

APPLICATIONS PRATIQUES

⚠ AVERTISSEMENT: Pour éviter tout risque de blessures, ne jamais retirer ni installer une pièce pendant que le disque à tronçonner tourne.

1. Procédure de fixation du matériau à couper (Fig. 4 et 5)

Etau rapide

Placer le matériau entre l'étau (A) et l'étau (B), relever l'embrayage et appuyer sur la poignée à vis pour amener l'étau (A) légèrement en contact avec le matériau, comme indiqué à la Fig. 4. Puis, abaisser l'embrayage et fixer solidement le matériau en tournant la poignée à vis. Lorsque la coupe est terminée, tourner la poignée à vis 2 ou 3 fois de suite pour desserrer l'étau, et retirer le matériau, comme indiqué à la Fig. 5.

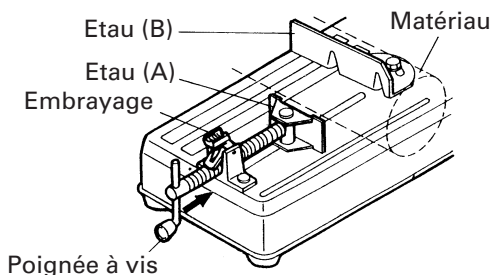


Fig. 4

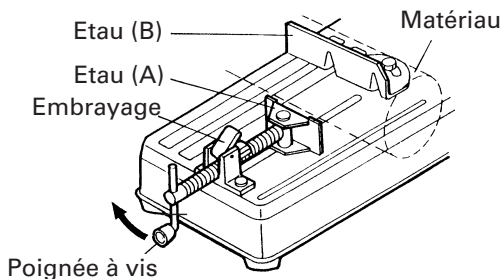


Fig. 5

2. Fonctionnement de l'interrupteur

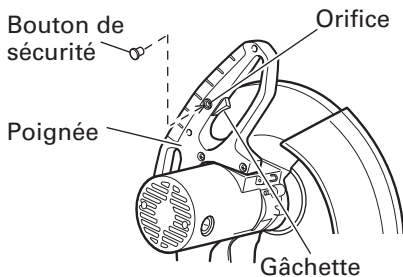


Fig. 6

Le bouton de sécurité de la gâchette est conçu pour éviter tout fonctionnement inopiné de l'outil électrique. Pour faire fonctionner l'outil, il faut commencer par enfoncer complètement le bouton de sécurité dans l'orifice de la poignée (voir Fig. 6).

La gâchette ne fonctionnera pas si le bouton de sécurité n'est pas enfoncé complètement. Lorsqu'on relâche la gâchette, l'alimentation se coupe et le bouton de sécurité revient automatique sur sa position d'origine, bloquant la gâchette.

⚠ AVERTISSEMENT: Toujours retirer le bouton de sécurité de la poignée lorsqu'on ne se sert pas de l'outil électrique. Ceci a pour but de garantir que l'outil ne puisse être mis en marche par une personne (en particulier par un enfant) non qualifiée pour utiliser l'outil. Le bouton de sécurité étant assez serré dans l'orifice, il faudra peut-être le tourner de gauche à droite pendant le montage et le retrait.

3. Opération de coupe

- (1) Faire tourner le disque à tronçonner, appuyer légèrement sur la poignée, et amener le disque près du matériau à couper.
- (2) Lorsque le disque est en contact avec le matériau, appuyer davantage sur la poignée et commencer à couper.
- (3) Lorsque la coupe (ou la taille d'encoche) est terminée, relever la poignée et la ramener sur sa position d'origine.
- (4) A la fin de chaque opération de coupe, couper (OFF) l'interrupteur pour arrêter la rotation, et passer à la coupe suivante.

⚠ AVERTISSEMENT: Chaque fois qu'on ne se sert pas de l'outil, vérifier que la gâchette est bien revenue sur OFF et que la fiche d'alimentation est débranchée. Toujours retirer le bouton de sécurité de la poignée et le ranger en lieu sûr lorsque le travail est terminé.

⚠ PRECAUTION:

- **Le fait d'accroître la pression sur la poignée n'augmentera pas la vitesse de coupe. Au contraire, une pression excessive risque de provoquer une surcharge du moteur et/ou de réduire le rendement.**

4. Coupes à angle (Fig. 7 et 8)

L'outil permet d'effectuer des coupes à des angles de 45° ou de 60°.

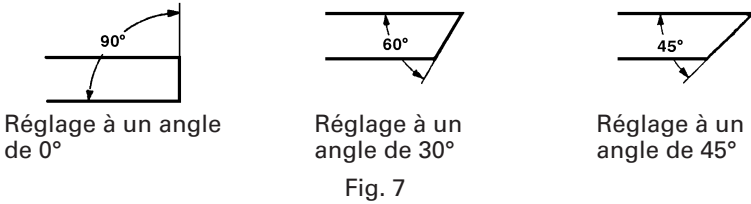


Fig. 7

Desserrer les deux boulons M10 à tête hexagonale de l'étau (B), puis régler la surface de travail sur la mâchoire d'étau à un angle de 0°, 30° ou 45° comme indiqué à la Fig. 7. Lorsque le réglage est terminé, serrer à fond les deux boulons M10 à tête hexagonale comme indiqué à la Fig. 8.

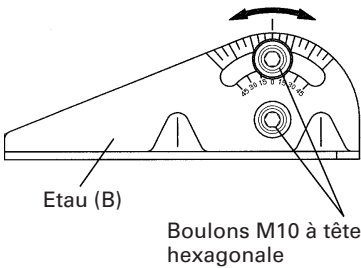


Fig. 8

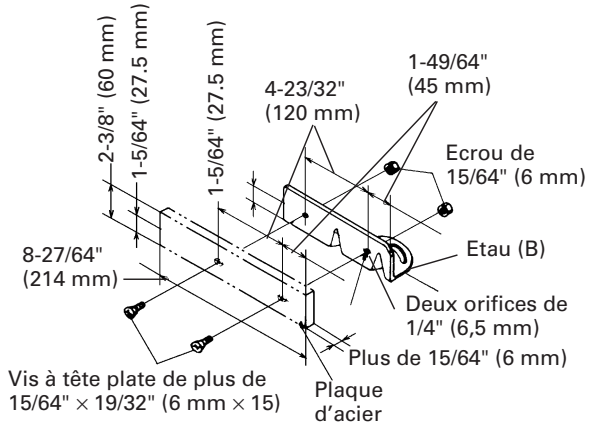
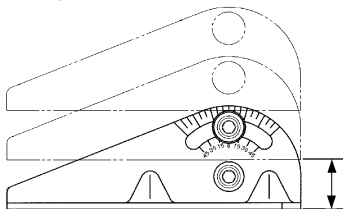


Fig. 9

Si un matériau large doit être coupé à angle, le fixer solidement en fixant une plaque d'acier comme celle de la Fig. 9 à l'étau (B), comme indiqué à la Fig. 9.

5. Déplacement de la mâchoire d'étau fixe (Fig. 10)



Les mâchoires d'étau s'ouvrent de 6-11/16" (170 mm) et il est possible de régler l'étau sur deux paliers, à savoir 8-5/64" (205 mm) et 9-7/16" (240 mm).

Fig. 10

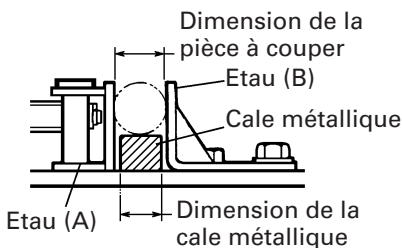
Lorsque l'outil quitte nos usines, l'ouverture de l'étau est réglée à la valeur maximum de 6-11/16" (170 mm).

Pour obtenir une ouverture supérieure à 6-11/16" (170 mm), amener la mâchoire d'étau sur la position indiquée par la ligne de la chaîne, après avoir dévissé les deux boulons.

Il est possible de régler l'ouverture maximale sur deux paliers, à savoir 8-5/64" (205 mm) et 9-7/16" (240 mm).

Si le matériau à couper est extrêmement large, l'étau pourra être utilisé efficacement en modifiant la position du côté fixe de la mâchoire d'étau.

6. Utilisation d'une cale métallique (Fig. 11)



(Devra être légèrement plus petite que la pièce à couper)

Fig. 11

Si le disque à tronçonner a un diamètre extérieur réduit, insérer une cale métallique légèrement plus petite que la pièce à couper entre l'étau (A) et l'étau (B) pour utiliser le disque à tronçonner de façon économique.

INSTALLATION ET RETRAIT DU DISQUE À TRONÇONNER

⚠ AVERTISSEMENT: Pour éviter tout risque d'accident, toujours mettre la gâchette sur OFF et débrancher la fiche d'alimentation de la prise avant de démonter ou de monter un disque.

1. Retrait du disque à tronçonner (Fig. 12)

- (1) Appuyer sur la butée et desserrer le boulon à l'aide d'une clé.

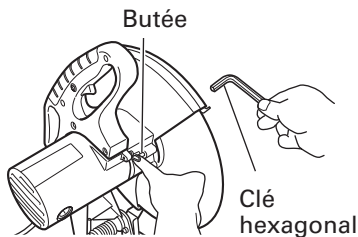


Fig. 12

REMARQUE: S'il n'est pas possible de fixer l'arbre de montage du disque à tronçonner en appuyant sur la butée, tourner le boulon à l'aide d'une clé hexagonale tout en appuyant sur la butée. L'arbre de montage du disque à tronçonner est fixe lorsque la butée est en position abaissée.

- (2) Déposer le boulon, la rondelle (A) et la rondelle du disque et déposer le disque.

2. Installation du disque à tronçonner

Enlever toute la poussière des rondelles de disque, du rondelle (A) et du boulon, puis installer le disque en procédant dans l'ordre inverse du retrait.

⚠ PRECAUTION:

- Après l'installation ou le retrait du disque à tronçonner, vérifier que la butée est revenue sur sa position rentrée.
- Serrer le boulon de façon qu'il ne se détache pas pendant le fonctionnement du disque à tronçonner. Vérifier que le boulon est bien serré à fond avant de mettre l'outil électrique en marche.

ENTRETIEN ET INSPECTION

⚠ AVERTISSEMENT: Pour éviter tout risque d'accident, toujours vérifier que la gâchette est sur OFF et que la fiche d'alimentation est débranchée avant toute opération d'entretien ou d'inspection de l'outil.

1. Remplacement du disque à tronçonner

Si le disque est émoussé sous l'effet d'une utilisation répétée, cela risque de provoquer une surcharge du moteur.

En conséquence, rhabiller ou remplacer le disque pour garantir une bonne efficacité de coupe.

2. Inspection des balais en carbone (Fig. 13 et 14)

Les balais en carbone du moteur sont des pièces qui s'usent.

Si les balais sont très usés, cela risque de provoquer des anomalies du moteur.

En conséquence, inspecter périodiquement les balais, et les remplacer lorsqu'ils ont atteint la limite d'usure, comme indiqué à la Fig. 13.

Par ailleurs, maintenir les balais en carbone propres de façon qu'ils glissent régulièrement à l'intérieur des porte-balai.

Les balais en carbone se démontent en toute facilité ; pour cela, démonter les bouchons de balai (voir Fig. 14) à l'aide d'un tournevis à fente (négatif).

Indique les deux derniers chiffres du balai en carbone No. de code

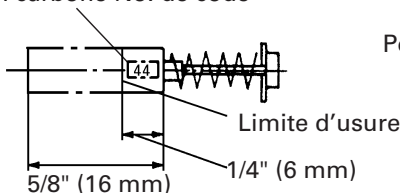


Fig. 13

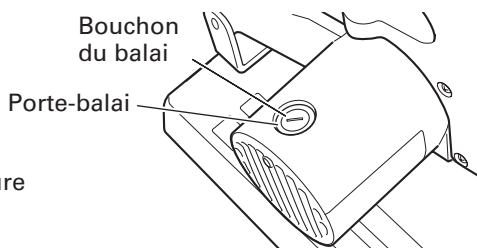


Fig. 14

3. Inspection des vis de montage

Inspecter régulièrement chacun des éléments constitutifs de l'outil électrique pour voir s'ils sont bien fixés.

Resserrer toutes les vis et autres pièces lâches.

⚠ AVERTISSEMENT: Pour éviter tout risque de blessure, ne jamais faire fonctionner l'outil électrique si certains des éléments constitutifs sont lâches.

4. Inspection de l'état et du fonctionnement du carter de sécurité

Avant chaque utilisation, faire un essai du carter de sécurité (voir Fig. 1) pour s'assurer qu'il est en bon état et qu'il se déplace régulièrement.

Ne jamais utiliser l'outil si le carter de sécurité ne fonctionne pas correctement, et s'il n'est pas en bon état mécanique.

5. Remisage

Lorsqu'on a fini d'utiliser l'outil, vérifier que la gâchette est sur la position OFF, que la fiche d'alimentation est débranchée de la prise, et que le bouton de sécurité a été retiré et qu'il est rangé en lieu sûr.

Si l'on ne se sert pas de l'outil, le ranger dans un endroit sec et hors de portée des enfants.

6. Graissage

Graisser les surfaces de contact suivantes une fois par mois pour maintenir l'outil électrique en bon état de marche pendant longtemps (voir Fig. 1 et 2). Il est recommandé d'utiliser de l'huile de machine.

Points de graissage :

- *Section rotative de l'arbre
- *Section rotative de l'étau
- *Section rotative de la mâchoire d'étau
- *Etau rapide

7. Nettoyage

Retirer périodiquement les copeaux et autres déchets de la surface de l'outil électrique avec un chiffon humide et savonneux. Pour éviter tout mauvais fonctionnement du moteur, le protéger de tout contact avec l'huile ou l'eau.

8. Liste des pièces de rechange

- A: No. élément
- B: No. code
- C: No. utilisé
- D: Remarques

PRECAUTION:

Les réparations, modifications et inspections des outils électriques Hitachi doivent être confiées à un service après-vente Hitachi agréé.

Il sera utile de présenter cette liste de pièces au service après-vente Hitachi agréé lorsqu'on apporte un outil nécessitant des réparations ou tout autre entretien.

Lors de l'utilisation et de l'entretien d'un outil électrique, respecter les règlements et les normes de sécurité en vigueur dans le pays en question.

MODIFICATIONS

Les outils électriques Hitachi sont constamment améliorés et modifiés afin d'incorporer les tous derniers progrès technologiques.

En conséquence, il est possible que certaines pièces (c.-à-d. no. de code et/ou dessin) soient modifiées sans avis préalable.

SERVICE APRÈS-VENTE ET RÉPARTITIONS

Tous les outils électriques de qualité finissent un jour par avoir besoin de réparations ou de remplacement de pièces sous l'effet d'une usure normale. Pour garantir que seules des pièces de rechange agréées seront utilisées et que le système de double isolation sera protégé, il faudra confier toutes les opérations d'entretien (autres que l'entretien de routine) exclusivement à un SERVICE APRES-VENTE D'OUTILS ELECTRIQUES HITACHI AGREE.

REMARQUE: Les spécifications sont sujettes à modification sans obligations de la part d'HITACHI.

INFORMACIÓN IMPORTANTE SOBRE SEGURIDAD

Antes de utilizar o de realizar cualquier trabajo de mantenimiento de esta herramienta eléctrica, lea y comprenda todas las precauciones de seguridad, advertencias e instrucciones de funcionamiento de este Manual de instrucciones.

La mayoría de los accidentes producidos en la operación y el mantenimiento de una herramienta eléctrica se deben a la falta de observación de las normas o precauciones de seguridad. Los accidentes normalmente podrán evitarse reconociendo una situación potencialmente peligrosa a tiempo y siguiendo los procedimientos de seguridad apropiados.

Las precauciones básicas de seguridad se describen en la sección "SEGURIDAD" de este Manual de instrucciones y en las secciones que contienen las instrucciones de operación y mantenimiento.

Para evitar lesiones o el daño de la herramienta eléctrica, los riesgos están identificados con ADVERTENCIAS en dicha herramienta y en este Manual de instrucciones.

No utilice **NUNCA** esta herramienta eléctrica de ninguna forma que no esté específicamente recomendada por HITACHI.

SIGNIFICADO DE LAS PALABRAS DE SEÑALIZACIÓN

ADVERTENCIA indica situaciones potencialmente peligrosas que, si se ignoran, pueden resultar en la muerte o en lesiones de gravedad.

PRECAUCIÓN indica situaciones potencialmente peligrosas que, de no evitarse, pueden resultar en lesiones menores o moderadas, o causar daños en la herramienta eléctrica.

NOTA acentúa información esencial.

SEGURIDAD

NORMAS DE SEGURIDAD PARA LAS HERRAMIENTAS ESPECIALES.

ANTES DE UTILIZAR O DE REALIZAR EL MANTENIMIENTO DE ESTA HERRAMIENTA, LEA TODAS LAS ADVERTENCIAS Y LAS INSTRUCCIONES DE OPERACIÓN DE ESTE MANUAL.

⚠️ ADVERTENCIA: Cuando utilice esta herramienta mecánica, tome todas las precauciones necesarias para reducir al mínimo el riesgo de descargas eléctricas u otras lesiones corporales. Especialmente, observe siempre las normas de seguridad siguientes:

- 1. MANTENGA SIEMPRE LOS DISPOSITIVOS DE PROTECCIÓN EN SU LUGAR** y en el orden de trabajo.
- 2. ANTES DE LA PUESTA EN MARCHA DE LA HERRAMIENTA, quite siempre las CUÑAS DE AJUSTE, TOPE.** Antes de la puesta en marcha de la herramienta, asegúrese de haber quitado todas las cuñas, llaves de ajuste y tope.
- 3. SIEMPRE MANTENGA LIMPIO EL LUGAR DE TRABAJO.** Evite lesiones que podrían producirse por la falta de orden en los lugares y bancos de trabajo.
- 4. NO UTILICE NUNCA LA HERRAMIENTA EN ENTORNOS PELIGROSOS. NO UTILICE** herramientas mecánicas en sitios mojados o húmedos, ni déjelas expuestas a la lluvia. El lugar de trabajo deberá estar siempre adecuadamente iluminado.
- 5. MANTENGA ALEJADOS A LOS NIÑOS.** Las personas ajenas deben mantenerse a una distancia prudente del área de trabajo.
- 6. ASEGÚRESE DE IMPEDIR EL ACCESO DE NIÑOS AL TALLER,** utilizando candados, interruptores maestros o quitando las llaves de arranque.
- 7. NO FUERCE LA HERRAMIENTA.** El trabajo se realizará mejor y con mayor seguridad si la utiliza a la velocidad para la cual ha sido diseñada.
- 8. SIEMPRE UTILICE LAS HERRAMIENTAS CORRECTAS.** Nunca fuerce una herramienta o un accesorio para otras tareas que las especificadas.
- 9. UTILICE SIEMPRE LAS VESTIMENTAS APROPIADAS CUANDO TRABAJE CON LA HERRAMIENTA.** No utilice ropas o guantes flojos, collares, anillos, brazaletes u otras joyas pues podrían quedar atrapados en las piezas móviles. Utilice calzados no resbaladizos, preferentemente con puntera de acero. Si tiene cabellos largos, utilice un medio adecuado para recogerlos.
- 10. CUANDO TRABAJE CON LA HERRAMIENTA, PÓNGASE SIEMPRE GAFAS DE SEGURIDAD PARA EVITAR LESIONES EN SUS OJOS.** Las gafas comunes poseen lentes resistentes a los impactos, pero NO son lentes de seguridad. Asimismo, para mayor seguridad, utilice máscaras, así como máscaras contra el polvo cuando la operación de corte produzca polvo.
- 11. ASEGURE SIEMPRE LA PIEZA DE TRABAJO SOBRE EL TORNILLO DE BANCO O UNA BASE.** Utilice abrazaderas o un tornillo de banco para sujetar la pieza de trabajo en su lugar. Esto le proporciona mayor seguridad y le permite tener ambas manos libres.
- 12. NUNCA SOBREPASE SU ALCANCE.** Mantenga siempre un buen equilibrio cuando trabaje con la herramienta.

13. **SIEMPRE PRESTE ATENCIÓN AL MANTENIMIENTO DE LA HERRAMIENTA.** Para poder obtener un óptimo rendimiento, mantenga siempre las herramientas afiladas y limpias. Siempre siga las instrucciones para lubricar la herramienta y para cambiar los accesorios.
14. **SIEMPRE DESCONECTE LA ALIMENTACION DE LA HERRAMIENTA** antes de realizar el servicio o de cambiar las ruedas de recortar u otros accesorios.
15. **NO CONECTE NUNCA LA HERRAMIENTA A LA RED SIN ASEGURARSE PREVIAMENTE QUE SU INTERRUPTOR ESTE EN LA POSICION DE PARO.** Si empre asegúrese de confirmar que el interruptor esté en la posición "OFF" antes de insertar el enchufe en el tomacorriente.
16. **UTILICE SÓLO LOS ACCESORIOS RECOMENDADOS PARA ESTA HERRAMIENTA.** Consulte el manual de instrucciones sobre las descripciones de los accesorios recomendados. Para evitar lesiones corporales, utilice únicamente los accesorios recomendados para esta herramienta.
17. **NO SE SITÚE NUNCA ENCIMA DE LA HERRAMIENTA.** Evite el riesgo de lesiones de gravedad provocadas por una caída accidental de la herramienta o de un contacto involuntario con la rueda de recortar.
18. **PREVIO AL USO DE LA HERRAMIENTA, VERIFIQUE QUE NO HAYA NINGUNA PIEZA DAÑADA.** Previo al uso de la herramienta y para asegurar un funcionamiento correcto, verifique la inexistencia de daños en el dispositivo de protección y otros componentes. Verifique todas las piezas móviles por alineación correcta, libertad de movimiento y otras condiciones que podrían afectar la correcta operación. Antes de usar la herramienta, siempre repare o reemplace cualquier dispositivo de protección u otro componente dañado.
19. **NUNCA DEJE LA HERRAMIENTA DESATENDIDA MIENTRAS ESTÉ FUNCIONANDO. SIEMPRE DESCONECTE EL INTERRUPTOR DE ALIMENTACIÓN CUANDO NO UTILICE LA HERRAMIENTA.** Asegúrese de desenchufar el cable de alimentación cuando no esté usando la herramienta. No se aleje de la herramienta antes de su parada total.
20. Esta herramienta no ha sido diseñada para producciones masivas y por lo tanto, no debe utilizarse en entornos de producción masiva.
21. Esta herramienta ha sido diseñada sólo para uso residencial.
22. Cuando realice el servicio de esta herramienta, utilice solamente las piezas de reemplazo autorizadas.
23. Aplique únicamente 120 voltios CA a esta herramienta.
La aplicación de un voltaje incorrecto podría provocar una operación inadecuada de la HERRAMIENTA MECÁNICA, y causar lesiones de gravedad o daños a la herramienta.

Normas de seguridad específicas para el uso de esta herramienta mecánica

⚠ ADVERTENCIA: Para evitar lesiones, se deberán observar las siguientes instrucciones de operación específicas cuando utilice esta HERRAMIENTA MECÁNICA.

ACCIONES OBLIGATORIAS

PARA LA SEGURIDAD DE USO DE ESTA HERRAMIENTA, OBSERVE SIEMPRE LAS SIGUIENTES NORMAS:

1. Antes de utilizar esta HERRAMIENTA MECÁNICA, lea este manual y familiarícese con las reglas de seguridad y las instrucciones de operación.
2. Previo al uso de la HERRAMIENTA MECÁNICA, verifique que esté limpia.
3. Cuando trabaje con la HERRAMIENTA MECÁNICA, utilice siempre vestimentas adecuadas, calzados no resbaladizos (preferentemente con puntera de acero) y gafas protectoras.
4. Siempre maneje la HERRAMIENTA MECÁNICA con cuidado. No permita que la HERRAMIENTA MECÁNICA se caiga o golpee contra otro objeto duro, pues podría deformarse, agrietarse o sufrir otros daños.
5. En caso de rotura u otra anomalía, deje de utilizar la herramienta.
6. Previo al uso de la herramienta, verifique que todos los componentes se encuentren montados firmemente y de manera correcta.
7. Cuando reemplace la rueda de recortar, verifique que el régimen de rpm de la rueda nueva sea el apropiado para esta herramienta.
8. Antes de realizar un trabajo de mantenimiento o un ajuste, siempre desconecte la alimentación y espere hasta la parada total de la rueda de recortar.
9. Siempre utilice abrazaderas u otra forma práctica de asegurar firmemente la pieza de trabajo sobre el tornillo de banco para evitar proyecciones de la misma y consecuentes lesiones corporales.
10. Antes de utilizar la herramienta, siempre confirme que la rueda de recortar se encuentre libre de grietas.
11. Siempre confirme que las piezas de fijación de la rueda de recortar no se encuentren dañadas. Las piezas dañadas causarán la rotura de la rueda de recortar.
12. Antes de intentar el uso de una herramienta nueva, realice siempre un funcionamiento de prueba.
13. Utilice siempre la superficie periférica de la rueda de recortar.
14. Maneje la rueda de recortar con cuidado durante su montaje y desmontaje.
15. Siempre mantenga sus manos fuera del radio de acción de la rueda de recortar.
16. Antes de utilizar la herramienta, confirme siempre que las cubiertas de seguridad se encuentren colocadas en los lugares apropiados.
17. Inspeccione periódicamente el cable de alimentación de la herramienta.
18. Antes de la puesta en marcha de la herramienta, confirme que el cordón prolongador sea del largo y tipo apropiado, cuando sea necesario su empleo.
19. Antes de utilizar la herramienta, confirme que los respiraderos del motor se encuentren completamente abiertos.
20. Espere hasta que el motor alcance su velocidad máxima antes de empezar a cortar.
21. Siempre mantenga los mangos secos, limpios y libres de aceite y grasa.
22. Fije siempre la sección del motor con una cadena cuando tenga que transportar la herramienta.
23. Siempre mantenga las ruedas de recortar en un sitio seco, ya que la humedad afectará la resistencia de las mismas.

ACCIONES PROHIBIDAS

PARA LA SEGURIDAD DE USO DE ESTA HERRAMIENTA, OBSERVE SIEMPRE LAS SIGUIENTES NORMAS:

1. No opere la HERRAMIENTA MECÁNICA sin haber comprendido a fondo las instrucciones de funcionamiento de este manual.
2. No deje la HERRAMIENTA MECÁNICA desatendida sin haber desenchufado el cable de alimentación.
3. No opere la HERRAMIENTA MECÁNICA cuando se encuentre cansado, o si ha tomado medicinas o bebidas alcohólicas.
4. No utilice la HERRAMIENTA MECÁNICA para otras tareas que las especificadas en el manual de instrucciones.
5. No opere la herramienta utilizando ropas flojas, corbata, joyas, o con el cabello sin recoger, para evitar que queden atrapados en las piezas móviles.
6. No llegue hasta cerca o detrás de la rueda de recortar.
7. No toque ninguna pieza móvil, incluyendo la rueda de recortar, mientras está utilizando la herramienta.
8. No retire los dispositivos de seguridad o los resguardos de la rueda; el uso de la herramienta sin tales dispositivos podría resultar peligroso.
9. No bloquee la cubierta de seguridad (antes de usar la herramienta, siempre confirme que se desliza suavemente).
10. No abuse del cable de alimentación de la herramienta.
11. No intente mover la HERRAMIENTA MECÁNICA conectada a la red, con su dedo sobre el interruptor de arranque.
12. No utilice la HERRAMIENTA MECÁNICA si observa alguna anomalía en la conexión o desconexión del interruptor de arranque.
13. No intente usar una HERRAMIENTA MECÁNICA que tenga la carcasa de plástico o el mango agrietado o deformado.
14. No utilice la HERRAMIENTA MECÁNICA en las proximidades de líquidos o gases inflamables, pues podría producirse una explosión.
15. No limpie las partes de plástico con solvente, pues podría disolverlas.
16. No utilice la herramienta sin los resguardos de la rueda colocados en su lugar.
17. No deje que la rueda de recortar golpee contra un objeto duro, pues podría resultar agrietada.
18. No retuerce la rueda de recortar durante la operación de corte.
19. No deje las manos, los pies u objetos frágiles expuestos a las chispas de rectificación, pues podrían resultar dañados.
20. No utilice la parte lateral de la rueda de rectificar.

ADVERTENCIA

PARA SU PROPIA SEGURIDAD, LEA ESTE MANUAL DE INSTRUCCIONES ANTES DE OPERAR LA TRONZADORA.

1. Siempre utilice gafas protectoras para operar la unidad.
2. Siempre mantenga sus manos fuera del radio de acción de la rueda de recortar.
3. No opere nunca la herramienta sin los resguardos colocados en su lugar.
4. No efectúe nunca una operación de manos libres con la herramienta.
5. Nunca llegue hasta cerca de la rueda de recortar.

6. Antes de realizar el ajuste o el mantenimiento de la herramienta, corte el suministro de energía eléctrica y espere hasta la parada total de la rueda de recortar.

PROLOGO

La información contenida en este manual tiene por objeto ayudarle a realizar la operación y el mantenimiento de la HERRAMIENTA MECÁNICA en condiciones de seguridad. Algunas ilustraciones de este manual podrían mostrar detalles o accesorios diferentes de los utilizados en su HERRAMIENTA MECÁNICA.

PIEZAS DE REPUESTO

Para el servicio, utilice solamente piezas de repuesto idénticas.
Las reparaciones sólo se deben realizar en un centro de servicio autorizado de Hitachi.

CLAVIJAS POLARIZADAS

Para reducir el riesgo de sacudidas eléctricas, este equipo dispone de una clavija polarizada (una cuchilla es más ancha que la otra).

Si no puede insertar la clavija en la toma de corriente, invierta la clavija. Si todavía no entra, póngase en contacto con un electricista especializado para que le instale un toma de corriente polarizada. No cambie la clavija de ningún modo.

AISLAMIENTO DOBLE PARA OFRECER UNA OPERACIÓN MÁS SEGURA

Para asegurar una operación más segura de esta herramienta mecánica, HITACHI ha adoptado el sistema de doble aislamiento. "Doble aislamiento" significa que se utiliza un sistema de dos aislamientos físicamente separados y dispuestos entre los materiales eléctricamente conductores conectados a la fuente de alimentación y al bastidor exterior manejado por el operador. Por consiguiente, en la placa de características se muestra la marca "□" y las palabras "Doble insulation" o una de estas dos indicaciones.

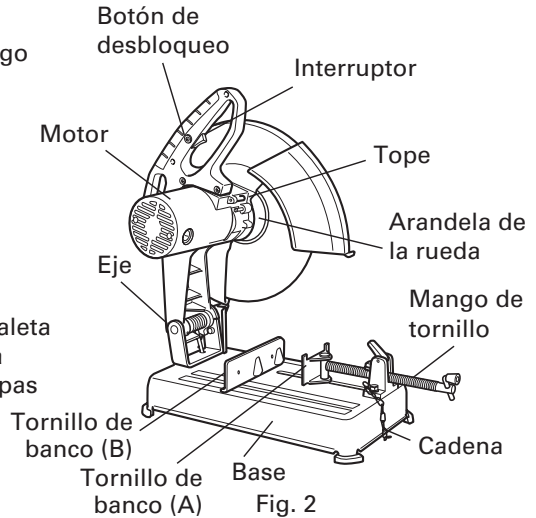
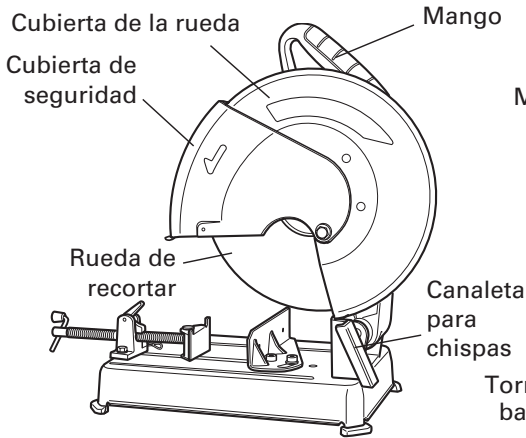
Aunque este sistema no posee puesta a tierra externa, usted deberá seguir las precauciones de seguridad normal indicadas en este manual.

Para mantener efectivo el sistema de doble aislamiento, observe las siguientes precauciones:

- * Para no afectar la característica de doble aislamiento, siempre póngase en contacto con su distribuidor o con un centro de reparaciones de herramientas mecánicas autorizado por HITACHI cuando sea necesario el armado, el desarmado o el reemplazo de piezas que no sean accesorios o escobillas de carbón.
- * Limpie el exterior de la herramienta con un paño suave humedecido en agua jabonosa, y después séquelo bien.
No utilice solventes clóricos, gasolina o diluyentes sobre las partes de plástico, ya que podrían disolverse.

**¡GUARDE ESTAS
INSTRUCCIONES Y
PÓNGALAS A DISPOSICIÓN DE
OTROS USUARIOS
Y
PROPIETARIOS DE ESTA
HERRAMIENTA!**

NOMENCLATURA



ESPECIFICACIONES

Item	Modelo	CC 14SE			
Motor	Tipo	Motor conmutador en serie, tipo protegido			
	Fuente de alimentación	CA, 60 Hz, monofásica			
	Voltaje	120 voltios			
	Corriente a plena carga	15 Amps			
Rueda de recortar	Tipo	Rueda de recortar con resinoide reforzado			
	Dimensiones	Diám. exterior 14" (355 mm)			
		Espesor 7/64" (2,8 mm)			
Diám. de agujero 1" (25,4 mm)					
	Velocidad periférica máxima de trabajo	16000 pies/min (4800 m/min).			
	Velocidad sin carga	3700 /min			
	Velocidad periférica sin carga	13540 pies/min (4125 m/min)			
	Materiales de piezas de trabajo aplicables	Barras redondas, tubos, y diversos tipos de acero perfilado			
Dimensiones máx. de corte	90°	Altura máx.	4-17/32" (115 mm)	Altura máx.	2-49/64" (70 mm)
		Anchura máx.	5-1/8" (130 mm)	Anchura máx.	9-1/4" (235 mm)
	45°	Altura máx.	4-11/64" (106 mm)		
		Anchura máx.	4-11/64" (106 mm)		
	Apertura máx. del tornillo de banco	9-29/64" (240 mm)			
	Peso neto	36 lbs (16,5 kg)			
	Cable	Cable armado flexible del tipo de 2 conductores, 8 pies (2,3 m)			

ACCESORIOS ESTÁNDAR



Fig. 3

- ① Rueda de recortar 14" × 7/64" × 1" (355 × 2,8 × 25,4mm) 1 pza. (No. de código)
(Acoplada al cuerpo principal)
- ② Llave de barra hex.

⚠ ADVERTENCIA: El uso de recambios o accesorios no recomendados en este manual podría resultar peligroso.

PREPARATIVOS PREVIOS A LA OPERACIÓN

Antes de operar la herramienta mecánica, realice los siguientes preparativos:

1. Instalación

Esta máquina podría ser empernada (2 pernos) sobre una superficie nivelada, utilizando los orificios para pernos provistos en la base.

2. Cordón prolongador

Régimen de amperios (en la placa de características)	12,1 à 16,0
Longitud del cable de ext.	Calibre de alambres A.W.G (mm ²)
25 pies (7,5 m)	14 A.W.G (2,0 mm ²)
50 pies (15 m)	12 A.W.G (3,5 mm ²)
100 pies (30,5 m)	No recomendado

Para utilizar la herramienta mecánica en un sitio que no disponga de una fuente de alimentación apropiada en las proximidades, utilice un cordón prolongador, que deberá ser de un tamaño adecuado para fines de seguridad, así como para evitar la pérdida de potencia y el recalentamiento. Determine el calibre de cordón prolongador apropiado en base a la tabla.

Antes de utilizar el cable de alimentación y los cordones prolongadores, revise si hay flojedad, alambres al descubierto o aislamiento dañado.

Antes de utilizar la herramienta mecánica, repare o reemplace según se requiera.

NOTA: Cuanto menor sea el número del tamaño del cable, mayor será el peso del mismo, y podrá transportar corriente a una distancia mayor sin caída de voltaje.

⚠ ADVERTENCIA: No conecte nunca esta unidad a una fuente de alimentación eléctrica sin haber leído y comprendido a fondo las instrucciones de funcionamiento.

3. Extraiga la cadena.

Como la parte móvil se entrega sujeta mediante la cadena para fines de embarque, empuje ligeramente el mango hacia abajo y sáquele la cadena.

ANTES DEL USO

1. Compruebe que la fuente de alimentación sea apropiada para la herramienta.

⚠️ ADVERTENCIA: No conecte nunca la herramienta mecánica a menos que la fuente de alimentación de CA disponible sea del mismo voltaje que el especificado en la placa de características de la herramienta.

2. Asegúrese de que el interruptor de gatillo esté desconectado.

⚠️ ADVERTENCIA: Si conecta el cable de alimentación a la red con el interruptor de gatillo conectado, la herramienta mecánica comenzará a funcionar imprevistamente y podrían producirse accidentes de gravedad.

3. Revise si hay defectos visibles en la rueda de recortar.

Asegúrese de que la rueda de recortar se encuentre libre de grietas u otros daños visibles.

4. Compruebe que la rueda de recortar se encuentre firmemente asegurada a la herramienta mecánica.

Utilizando la llave de barra hex. suministrada, apriete el perno de fijación del eje de montaje de la rueda de recortar para que ésta quede firmemente asegurada.

⚠️ ADVERTENCIA: Si el perno de fijación está flojo, la rueda de recortar podría dañarse al comenzar a girar el eje de la rueda, produciéndose una situación de peligro.

5. Compruebe la correcta operación de las cubiertas de seguridad.

Esta cubierta de seguridad (cubierta de la rueda) puede evitar accidentes que resultarían de una rueda de recortar agrietada.

Los tornillos de montaje han sido firmemente asegurados en fábrica antes de la entrega, pero para mayor seguridad, vuélvalos a apretar.

La cubierta de seguridad y la cubierta de la rueda han sido diseñadas para proteger al operario contra los riesgos de contacto con la rueda de recortar durante la operación de la herramienta.

⚠️ ADVERTENCIA: NO OPERE NUNCA LA HERRAMIENTA MECÁNICA cuando las cubiertas de seguridad no cumplan correctamente con sus funciones.

6. Utilice ruedas de recortar cuya velocidad periférica sea superior a la velocidad periférica máxima de trabajo.

Cuando reemplace la rueda de recortar, asegúrese de que la rueda de recambio tenga una velocidad periférica superior a 16000 pies/min (4800m/min).

⚠️ ADVERTENCIA: No utilice nunca las ruedas de recortar cuyos regímenes de velocidad periférica sean inferiores a la velocidad periférica máxima de trabajo.

7. Confirme la posición del tope.

Compruebe que el tope utilizado para el montaje y desmontaje de la rueda de recortar haya regresado a la posición de retracción.

8. Fije firmemente el material de corte.

Verifique que el material se encuentre firmemente asegurado mediante el tornillo de

banco. De lo contrario, podría producirse un accidente de gravedad al aflojarse el material o al quebrarse la rueda de recortar durante la operación.

9. Verifique el estado del tomacorriente.

Para evitar recalentamientos, detención accidental u operación intermitente, confirme que el enchufe encaje firmemente en el tomacorriente eléctrico y que no se salga después de ser insertado. En caso defectuoso, repare o reemplace el tomacorriente.

10. Compruebe la inexistencia de daños en el cable de alimentación flexible de la herramienta.

Repáre o reemplace el cable de alimentación si descubre algún daño durante la inspección.

DESPUES DE CONECTAR EL ENCHUFE A UNA FUENTE DE ALIMENTACIÓN DE CA APROPIADA, VERIFIQUE LA OPERACIÓN DE LA HERRAMIENTA, DE LA SIGUIENTE MANERA:

11. Funcionamiento de prueba

Después de confirmar que no hay ninguna persona situada delante de la herramienta, hágase a un lado y ponga en marcha la herramienta mecánica. Compruebe la inexistencia de condiciones anormales antes de intentar una operación de corte.

Periodos de funcionamiento de prueba:

 Cuando se reemplaza la rueda de recortar Más de 3 minutos.

 Al comenzar el trabajo de rutina Más de 1 minuto.

12. Inspeccione la estabilidad de rotación de la rueda de recortar.

Para un corte de precisión, gire la rueda de recortar y compruebe que no hay ninguna inestabilidad evidente; de lo contrario, podrían producirse vibraciones y provocarse un accidente.

APLICACIONES PRÁCTICAS

⚠ ADVERTENCIA: Para evitar lesiones, no remueva ni instale una pieza de trabajo mientras la rueda de recortar esté girando.

1. Procedimiento para fijar el material de corte (Figs. 4 y 5).

Tornillo de banco rápido

Coloque el material de la pieza de trabajo entre el tornillo de banco (A) y el tornillo de banco (B), levante el embrague y presione el mango de tornillo para que el tornillo de banco (A) haga un contacto ligero con el material de la pieza de trabajo, tal como se indica en la Fig.4. Luego, gire el embrague hacia abajo, y fije firmemente el material de la pieza de trabajo en su lugar girando el mango de tornillo. Al finalizar la tarea de corte, gire el mango de tornillo 2 ó 3 veces para aflojar el tornillo de banco, y retire el material de la pieza de trabajo, tal como se indica en la Fig.5.

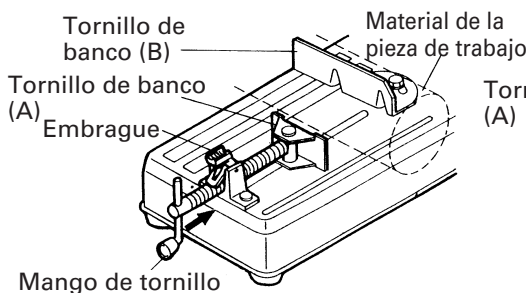


Fig. 4

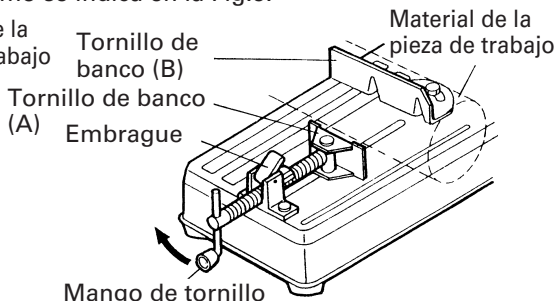


Fig. 5

2. Operación del interruptor

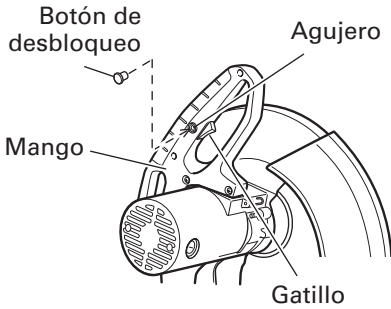


Fig. 6

El botón de desbloqueo del interruptor de gatillo ha sido diseñado para evitar una operación involuntaria de la herramienta mecánica. Para utilizar la herramienta mecánica, primero se deberá introducir a fondo el botón de desbloqueo en el agujero del mango (véase la Fig. 6).

El interruptor de gatillo no accionará a menos que el botón de desbloqueo esté completamente introducido. Al soltar el interruptor de gatillo, la alimentación se desconecta y el botón de desbloqueo regresa automáticamente a su posición original, bloqueando el interruptor de gatillo.

⚠ ADVERTENCIA: Asegúrese de extraer el botón de desbloqueo del mango cuando la herramienta mecánica no esté en uso. Esto permitirá tener la seguridad de que la herramienta mecánica no funcionará involuntariamente o por acción de una persona (especialmente un niño) no calificada para su empleo. Si deja el botón de desbloqueo colocado en el mango, podrían producirse lesiones de gravedad. Dado que el botón de desbloqueo queda algo apretado, podría ser necesario girarlo hacia uno y otro lado para introducirlo o extraerlo.

3. Operación de corte

- (1) Gire la rueda de recortar, presione suavemente el mango hacia abajo, y ponga la rueda de recortar cerca del material que se va a cortar.
- (2) Cuando la rueda de recortar entre en contacto con el material, vuelva a presionar suavemente el mango hacia abajo y empiece a realizar el corte.
- (3) Al finalizar el corte (o el acanalado designado), levante el mango y vuélvalo a colocar en su posición original.
- (4) Cada vez que termine un proceso de corte, desconecte el interruptor para que deje de girar y luego realice la tarea de corte siguiente.

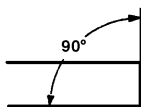
⚠ ADVERTENCIA: Asegúrese de desconectar el interruptor de gatillo y de extraer el enchufe del tomacorriente cuando la herramienta mecánica no esté en uso. Siempre quite el botón de desbloqueo del mango, y guárdelo en un sitio seguro después de finalizar la tarea.

⚠ PRECAUCIÓN:

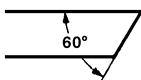
- Aumentar la presión sobre el mango no aumentará la velocidad de corte. Por el contrario, una presión excesiva podría producir la sobrecarga del motor y/o la disminución en la eficiencia de corte.

4. Corte a ángulos (Figs. 7 y 8).

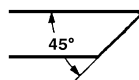
La herramienta permite cortar a ángulos de 45° ó 60°.



Cuando se ajusta a un ángulo de 0°



Cuando se ajusta a un ángulo de 30°

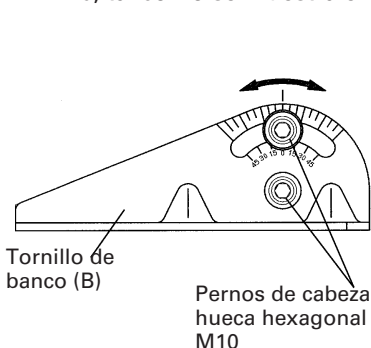


Cuando se ajusta a un ángulo de 45°

Fig. 7

Afloje los dos pernos de cabeza hueca hexagonal M10 en el tornillo de banco (B), y luego ajuste la superficie de trabajo en la mordaza de tornillo a cualquiera de los ángulos de 0°, 30° ó 45°, tal como se indica en la Fig.7.

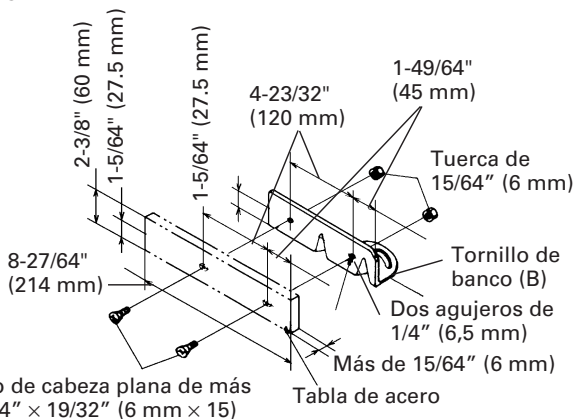
Tras finalizar el ajuste, apriete firmemente los dos pernos de cabeza hueca hexagonal M10, tal como se muestra en la Fig.8.



Tornillo de banco (B)

Pernos de cabeza hueca hexagonal M10

Fig. 8



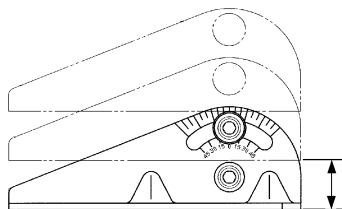
Tornillo de cabeza plana de más de 15/64" x 19/32" (6 mm x 15)

Fig. 9

Para cortar en ángulo material ancho, asegúrelo firmemente colocando una tabla de acero (como el de la Fig.9) en el tornillo de banco (B), de la manera indicada en la Fig.9.

5. Cómo mover la mordaza de tornillo fija (Fig.10)

La herramienta se despacha de fábrica con la apertura del tornillo de banco ajustada a un máximo de 6-11/16" (170mm).



Las mordazas de tornillo se abren a 6-11/16" (170mm), mientras que el tornillo puede ajustarse en dos pasos, 8-5/64" (205mm) y 9-7/16" (240mm)

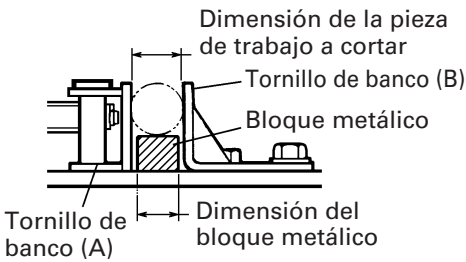
Fig. 10

Si se requiere una apertura mayor que 6-11/16" (170), mueva la mordaza de tornillo a la posición mostrada por la línea de puntos, después de aflojar los dos pernos.

La apertura máxima puede ajustarse en dos pasos, 8-5/64" (205mm) y 9-7/16" (240mm).

Cuando el material a cortar sea excesivamente ancho, podrá resultar eficaz usar el tornillo de banco reposicionando el lado fijo de las mordazas de tornillo.

6. Utilización de un bloque metálico (Fig.11)



(Debe ser algo más pequeño que la pieza de trabajo a cortar)

Fig. 11

Cuando la rueda de recortar sea de un diámetro exterior reducido, inserte entre los tornillos de banco (A) y (B) un bloque metálico de una dimensión ligeramente inferior a la de la pieza de trabajo a cortar, para utilizar la rueda de recortar eficientemente.

DESMONTAJE Y MONTAJE DE LA RUEDA DE RECORTAR

⚠ ADVERTENCIA: Para evitar lesiones, desconecte siempre el interruptor de gatillo y saque el enchufe del tomacorriente antes de desmontar o de montar una rueda.

1. Desmontaje de la rueda de recortar (Fig.12)

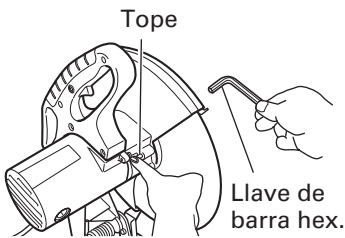


Fig. 12

(1) Presione el tope y afloje el perno con una llave fija.

NOTA: Cuando no consiga fijar el eje de montaje para la rueda de recortar presionando el tope, gire el perno con una llave de barra hexagonal mientras presiona el tope. El eje de montaje para la rueda de recortar se fija cuando se baja el tope.

(2) Saque el perno, la arandela (A) y la arandela de la rueda, y desmonte la rueda de recortar.

2. Montaje de la rueda de recortar

Elimine completamente el polvo de las arandelas y perno de la rueda, arandela (A) y luego instale la rueda invirtiendo el procedimiento de desmontaje.

⚠ PRECAUCIÓN:

- Después de montar o desmontar la rueda de recortar, compruebe que el tope haya regresado a la posición de retracción.
- Apriete el perno para que no se afloje durante la operación de la rueda de recortar. Asegúrese de que el perno esté correctamente apretado antes de poner en marcha la herramienta mecánica.

MANTENIMIENTO E INSPECCIÓN

⚠️ ADVERTENCIA: Para evitar posibles lesiones, antes de realizar el mantenimiento o la inspección de esta herramienta, asegúrese de desconectar el interruptor de gatillo y de desenchufar el cable de alimentación del tomacorriente.

1. Reemplazo de la rueda de recortar

Cuando la rueda de recortar se desafilé debido a un uso frecuente, el motor podría resultar sobrecargado.

Por consiguiente, para mantener la eficiencia de corte, vuelva a afilarla o cámbiela por otra rueda de recortar.

2. Inspección de las escobillas de carbón (Figs.13 y 14)

Las escobillas de carbón del motor son piezas descartables.

Si las escobillas se desgastan excesivamente, podrían producirse averías en el motor. Por consiguiente, inspeccione periódicamente las escobillas, y reemplácelas cuando lleguen a la línea de límite de desgaste, como se muestra en la Fig.13.

Asimismo, mantenga las escobillas de carbón limpias para que se deslicen suavemente dentro de los portaescobillas. Las escobillas de carbón se sacan fácilmente quitando las tapas de las escobillas (véase Fig.14) con un destornillador de cabeza ranurada (punta plana).

Indica los dos últimos números de la escobilla de carbón Código N.º

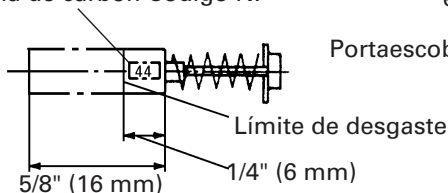


Fig. 13

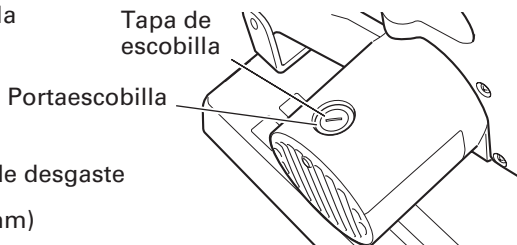


Fig. 14

3. Inspección de los tornillos de montaje

A intervalos regulares, inspeccione si hay flojedad en cada uno de los componentes de la herramienta mecánica.

Reapriete cualquier tornillo de montaje flojo.

⚠️ ADVERTENCIA: Para evitar lesiones, no opere nunca la herramienta mecánica cuando haya algún componente flojo.

4. Inspeccione la condición y la operación correcta de la cubierta de seguridad.

Antes de usar la herramienta, siempre pruebe la cubierta de seguridad (véase Fig.1) para comprobar que se encuentra en buen estado y que se mueve con suavidad.

Jamás utilice la herramienta cuando la cubierta de seguridad no esté funcionando correctamente o cuando presente alguna anomalía mecánica.

5. Almacenamiento

Después de terminar la operación de la herramienta mecánica, asegúrese de desconectar el interruptor de gatillo, de desenchufar el cable de alimentación del tomacorriente y de extraer y guardar el botón de desbloqueo en un sitio seguro.

Guarde la herramienta mecánica en un sitio seco, fuera del alcance de los niños.

6. Lubricación

Lubrique una vez al mes las siguientes superficies deslizantes para mantener la herramienta mecánica funcionando en buenas condiciones durante un tiempo prolongado (véase Figs.1 y 2). Se recomienda utilizar aceite para máquinas.

Puntos de suministro de aceite:

- *Parte de rotación del eje.
- *Parte de rotación del tornillo de banco.
- *Parte de rotación de la mordaza de tornillo.
- *Tornillo de banco rápido.

7. Limpieza

Elimine periódicamente las rebabas y otros materiales de desecho de la superficie de la herramienta mecánica con un paño humedecido en agua jabonosa. Para evitar fallos de funcionamiento del motor, protéjalo para evitar el contacto con el aceite y el agua.

8. Lista de repuestos

- A: N°. ítem
- B: N°. código
- C: N°. usado
- D: Observaciones

PRECAUCIÓN

La reparación, modificación e inspección de las herramientas eléctricas Hitachi deben ser realizadas por un Centro de Servicio Autorizado de Hitachi.

Esta lista de repuestos será de utilidad si es presentada junto con la herramienta al Centro de Servicio Autorizado de Hitachi, para solicitar la reparación o cualquier otro tipo de mantenimiento.

En el manejo y el mantenimiento de las herramientas eléctricas, se deberán observar las normas y reglamentos vigentes en cada país.

MODIFICACIONES

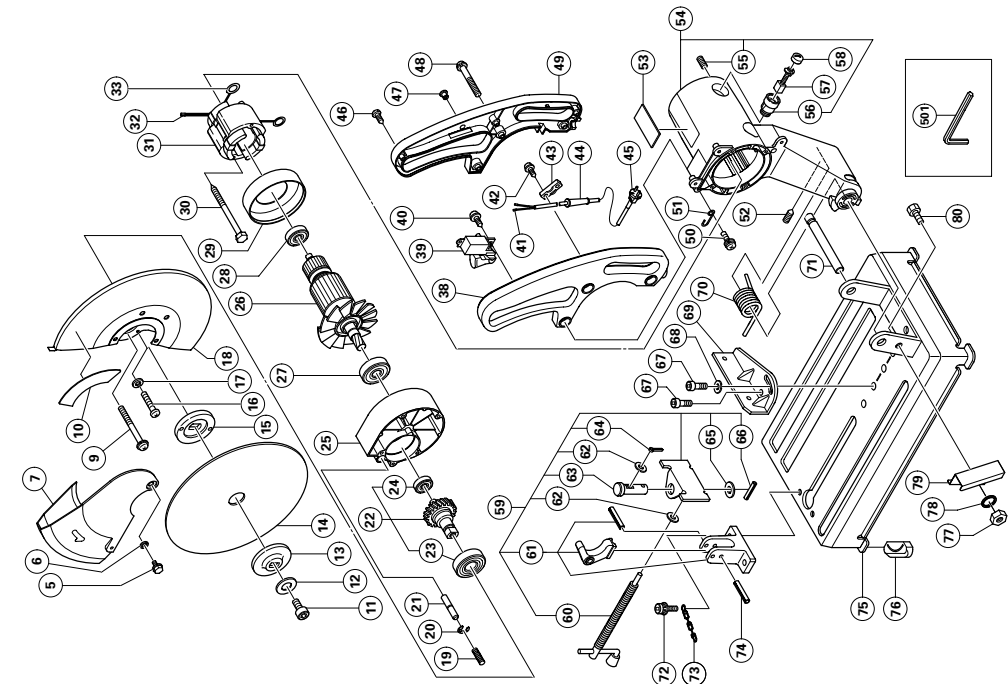
Hitachi Power Tools introduce constantemente mejoras y modificaciones para incorporar los últimos avances tecnológicos.

Por consiguiente, algunas partes (por ejemplo, números de códigos y/o diseño) pueden ser modificadas sin previo aviso.

SERVICIO Y REPARACIONES

Todas las herramientas mecánicas de alta calidad requerirán eventualmente la reparación o el reemplazo de algunas piezas debido al desgaste producido por el uso normal. Para tener la seguridad de que se utilicen sólo repuestos autorizados y para proteger el sistema de doble aislamiento, todos los servicios (que no sea mantenimiento de rutina) deben realizarse ÚNICAMENTE EN UN CENTRO DE SERVICIO DE HERRAMIENTAS MECÁNICAS AUTORIZADO POR HITACHI.

NOTA: Las especificaciones se encuentran sujetas a cambios sin previo aviso, sin ninguna obligación por parte de HITACHI.



A	B	C	D	A	B	C	D
5	321-251	1	M8	55	938-477	2	M5x8
6	321-252	1		56	957-001	2	
7	321-249	1		57	999-044	2	
9	987-410	4	M5x70	58	940-540	2	
10	---	1		59	321-225	1	"60-66"
11	949-844	1	M10x20	60	321-226	1	
12	965-724	1		61	321-227	1	
13	321-247	1		62	949-433	2	M8
14	306-858	1	355MM	63	321-229	1	
15	321-246	1		64	949-537	1	D3x15
16	949-237	1	M5x12	65	321-232	1	M16
17	949-454	1	M5	66	949-681	1	D5x25
18	321-248	1		67	949-844	2	M10x20
19	948-363	1		68	949-434	1	M10
20	955-479	1		69	321-224	1	
21	321-239	1		70	321-422	1	
22	321-235	1	"23, 24"	71	321-237	1	
23	620-6VV	1	6206VVCMPSS	72	307-357	2	M8x25
24	600-1VV	1	6001VVCMPSSL	73	968-520	1	
25	321-243	1		74	949-576	1	D6x32
26	360-584U	1	110V-120V "27, 28"	75	321-222	1	
27	600-2VV	1	6002VVCMPSSL	76	321-223	4	
28	620-0VV	1	6200VVCMPSSL	77	949-558	1	M8
29	306-098	1		78	949-457	1	M8
30	960-251	2	D5x65	79	321-236	1	
31	340-533H	1	120V "32, 33"	80	949-656	1	M8x20
32	981-373	2		501	955-857	1	8MM
33	945-932	2					
38	321-240	1					
39	951-894	1					
40	305-720	1	D4x12				
41	981-373	2					
42	984-750	2	D4x16				
43	937-631	1					
44	938-051	1	D10.1				
45	500-453Z	1					
46	301-653	3	D4x20				
47	951-895	1					
48	321-298	3	M5x35				
49	321-241	1					
50	307-294	1	M5x16				
51	321-234	1					
52	318-044	1	M5x16				
53	---	1					
54	321-242	1	"56, 57"				

WARNING:

Some dust created by power sanding, sawing, grinding, drilling, and other construction activities contains chemicals known to the State of California to cause cancer, birth defects or other reproductive harm. Some examples of these chemicals are:

- Lead from lead-based paints,
- Crystalline silica from bricks and cement and other masonry products, and
- Arsenic and chromium from chemically-treated lumber.

Your risk from these exposures varies, depending on how often you do this type of work. To reduce your exposure to these chemicals: work in a well ventilated area, and work with approved safety equipment, such as those dust masks that are specially designed to filter out microscopic particles.

AVERTISSEMENT:

La poussière résultant d'un ponçage, d'un sciage, d'un meulage, d'un perçage ou de toute autre activité de construction renferme des produits chimiques qui sont connus par l'Etat de Californie pour causer des cancers, des défauts de naissance et autres anomalies de reproduction. Nous énumérons ci-dessus certains de ces produits chimiques:

- Plomb des peintres à base de plomb,
- Silice cristalline des briques et du ciment et autres matériaux de maçonnerie, et
- Arsenic et chrome du bois d'oeuvre traité chimiquement.

Le risque d'exposition à ces substances varie en fonction de la fréquence d'exécution de ce genre de travail. Pour réduire l'exposition à ces produits chimiques, travailler dans un lieu bien ventilé, et porter un équipement de protection agréé, par exemple un masque anti-poussière spécialement conçu pour filter les particules microscopiques.

ADVERTENCIA:

Alogunos polvos creados por el lijado mecánico, el aserrado, el esmerilado, el taladrado y otras actividades de construcción contienen sustancias químicas conocidas por le Estado de California como agentes cancerígenos, defectos congénitos y otros daños reproductores. Algunos ejemplos de estas sustancias químicas son:

- El plomo de las pinturas a base de plomo,
- El sílice cristalino de los ladrillos y cemento y otros productos de mampostería, y
- El arsénico y el cromo de la madera tratada químicamente.

El riesgo resultante de la exposición varía según la frecuencia con que se realiza este tipo de trabajo. Para reducir la exposición a esta sustancias químicas: trabaje en un lugar bien ventilado y realice el trabajo utilizando el equipamiento apropiado, tal como las máscaras para el polvo especialmente diseñados para eliminar las partículas minúsculas.

Issued by

Hitachi Koki Co., Ltd.

Shinagawa Intercity Tower A, 15-1, Konan 2-chome,
Minato-ku, Tokyo 108-6020, Japan

Distributed by

Hitachi Koki U.S.A., Ltd.

3950 Steve Reynolds Blvd.
Norcross, GA 30093

Hitachi Koki Canada Co.

6395 Kestrel Road
Mississauga ON L5T 1Z5

212

Code No. C99115662 N
Printed in Japan