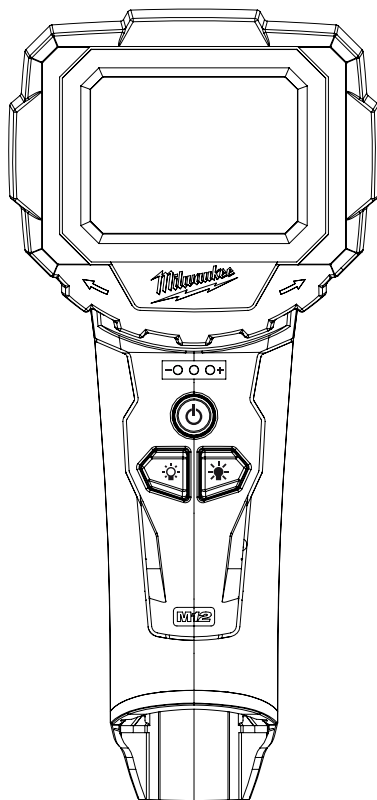




**OPERATOR'S MANUAL
MANUEL de L'UTILISATEUR
MANUAL del OPERADOR**



**Cat. No.
No de Cat.
2313-20
2314-20**

**M-SPECTOR 360™ ROTATING INSPECTION SCOPE
CAMÉRA D'INSPECTION À TÊTE PIVOTANTE M-SPECTOR 360™
VISOR DE INSPECCIÓN ROTATORIO M-SPECTOR 360™**

TO REDUCE THE RISK OF INJURY, USER MUST READ AND UNDERSTAND OPERATOR'S MANUAL.

AFIN DE RÉDUIRE LE RISQUE DE BLESSURES, L'UTILISATEUR DOIT LIRE ET BIEN COMPRENDRE LE MANUEL DE L'UTILISATEUR.

PARA REDUCIR EL RIESGO DE LESIONES, EL USUARIO DEBE LEER Y ENTENDER EL MANUAL DEL OPERADOR.

GENERAL POWER TOOL SAFETY WARNINGS

⚠ WARNING READ ALL SAFETY WARNINGS AND ALL INSTRUCTIONS.
Failure to follow the warnings and instructions may result in electric shock, fire and/or serious injury. *Save all warnings and instructions for future reference*

WORK AREA SAFETY

- **Keep work area clean and well lit.** Cluttered or dark areas invite accidents.
- **Do not operate power tools in explosive atmospheres, such as in the presence of flammable liquids, gases or dust.** Power tools create sparks which may ignite the dust or fumes.
- **Do not operate power tool in an area where it could contact electrical wiring or an electrically charged object.** Contact with a “live” wire or object will make exposed metal parts of the tool “live” and shock the operator.
- **Do not operate power tool near moving machinery.** The cable can be tangled in moving parts, pulling in the power tool and your hands and arms.
- **Do not use near any heat sources** such as radiators, heat registers, stoves, or other apparatus (including amplifiers) that produce heat.
- **Keep children and bystanders away while operating a power tool.** Distractions can cause you to lose control.

ELECTRICAL SAFETY

- **Do not expose power tools to rain or wet conditions.** Water entering a power tool will increase the risk of electric shock. Dry hands before turning tool on or off and before removing or installing the battery pack.

PERSONAL SAFETY

- **Stay alert, watch what you are doing and use common sense when operating a power tool. Do not use a power tool while you are tired or under the influence of drugs, alcohol or medication.** A moment of inattention while operating power tools may result in serious personal injury.
- **Use personal protective equipment. Always wear eye protection.** Protective equipment such as dust mask, non-skid safety shoes, hard hat, or hearing protection used for appropriate conditions will reduce personal injuries.
- **Do not overreach. Keep proper footing and balance at all times.** This enables better control of the power tool in unexpected situations.

POWER TOOL USE AND CARE

- **This Inspection Scope is not intended for medical use or personal inspection.**
- **Store idle power tools out of the reach of children and do not allow persons unfamiliar with the power tool or these instructions to operate the power tool.** Power tools are dangerous in the hands of untrained users.
- **Maintain power tools. Check for misalignment or binding of moving parts, breakage of parts and any other condition that may affect the power tool operation. Do not use if power tool smokes or gives off fumes. If damaged, have the power**

tool repaired before use. Many accidents are caused by poorly maintained power tools.

- **Use the power tool, accessories and tool bits etc., in accordance with these instructions, taking into account the working conditions and the work to be performed.** Use of the power tool for operations different from those intended could result in a hazardous situation. Only use accessories specifically recommended for this tool. Others may be hazardous.
- **Clean only with dry cloth.** Certain cleaning agents and solvents are harmful to plastics and other insulated parts. Some of these include: gasoline, turpentine, lacquer thinner, paint thinner, chlorinated cleaning solvents, ammonia and household detergents containing ammonia. Clean dust and debris from vents. Keep the apparatus handle clean, dry and free of oil or grease.

BATTERY TOOL USE AND CARE

- **Always remove the battery pack before cleaning.**
- **This tool is designed to be powered by a 12 volt MILWAUKEE battery pack.** Do not attempt to use with any other voltage or power supply.
- **Recharge only with the charger specified by the manufacturer.** A charger that is suitable for one type of battery pack may create a risk of fire when used with another battery pack.
- **Use power tools only with specifically designated battery packs.** Use of any other battery packs may create a risk of injury and fire.
- **When battery pack is not in use, keep it away from other metal objects like paper clips, coins, keys, nails, screws, or other small metal objects that can make a connection from one terminal to another.** Shorting the battery terminals together may cause burns or a fire.
- **Under abusive conditions, liquid may be ejected from the battery, avoid contact. If contact accidentally occurs, flush with water. If liquid contacts eyes, additionally seek medical help.** Liquid ejected from the battery may cause irritation or burns.

SERVICE

- **Contact a MILWAUKEE service facility for ALL repairs. Have your power tool serviced by a qualified repair person using only identical replacement parts.** This will ensure that the safety of the power tool is maintained.
- **Never disassemble the power tool or try to do any rewiring on the power tool's electrical system.**

SPECIFIC SAFETY RULES

- **Maintain labels and nameplates.** These carry important information. If unreadable or missing, contact a MILWAUKEE service facility for a free replacement.



Federal Communications Commission

WARNING: This is a class A product. In a domestic environment this product may cause radio interference in which case the user may be required to take adequate measures.

This equipment has been tested and found to comply with the limits for a Class A digital device, pursuant to Part 15 of the FCC Rules. These limits are designed to provide reasonable protection against harmful interference when the equipment is operated in a commercial environment. This equipment generates, uses, and can radiate radio frequency energy and, if not installed and used in accordance with the instruction manual, may cause harmful interference to radio communications. Operation of this equipment in a residential area is likely to cause harmful interference in which case the user will be required to correct the interference at his own expense. This device complies with Part 15 of the FCC Rules. Operation is subject to the following two conditions: (1) this device may not cause harmful interference, and (2) this device must accept any interference received, including interference that may cause undesired operation.

SPECIFICATIONS

Cat. No.	Volts DC	Cable Length
2313-20	12	3 ft
2314-20	12	9 ft

ASSEMBLY

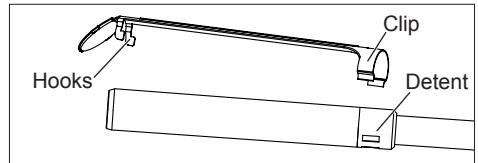
WARNING Recharge only with the charger specified for the battery. For specific charging instructions, read the operator's manual supplied with your charger and battery.

Inserting/Removing the Battery

To **remove** the battery, push in the release buttons and pull the battery pack away from the tool. To **insert** the battery, slide the pack into the body of the tool. Make sure it latches securely into place.

Attaching/Removing Accessories

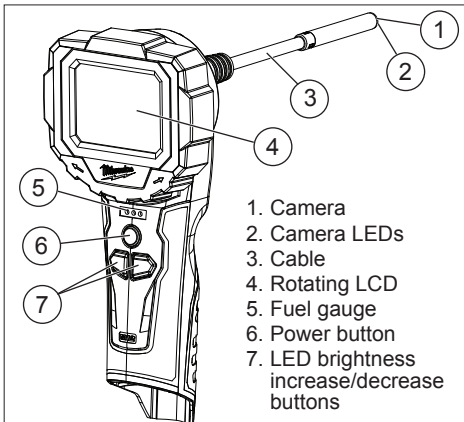
To attach an accessory, hook the two front hooks over the front of the camera. Press the clip over the back end of the camera to snap it into the detents. To remove, pull up on the clip and then unhook the accessory.



SYMBOLGY

	User must read operator's manual
	Wear eye protection
	To prevent electric shock, do not allow product to contact live electrical parts
	Federal Communications Commission
	Direct Current

FUNCTIONAL DESCRIPTION



OPERATION

WARNING To reduce the risk of injury, wear safety goggles or glasses with side shields. Always remove battery pack before changing accessories or making adjustments.

Turning On/Off

Press the Power button to turn the tool on. Press and hold the Power button to turn the tool off.

Sleep Mode

The tool will shut off automatically if unused for 5 minutes. To reset, press the Power button again.

Fuel Gauge

To determine the amount of charge left in the battery, turn on the tool. The Fuel Gauge will light up for 2-3 seconds.

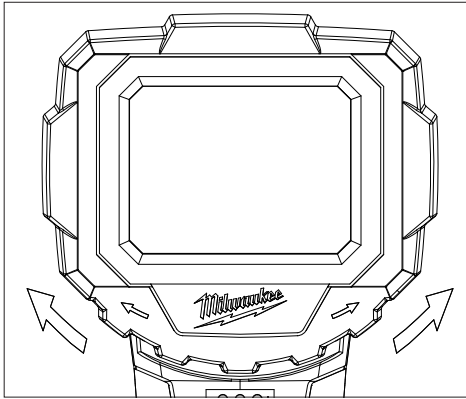
To signal the end of charge, 1 light on the fuel gauge will flash for 2-3 seconds.

Camera LED

The camera LEDs can be adjusted to 4 levels of brightness and turned off. Press the camera LED brightness increase and decrease buttons to change the level of brightness or turn it off.

Rotating Screen

To rotate the screen for ease of use, grasp the LCD housing and turn clockwise or counter clockwise. The screen can be rotated approximately 270°.



WARNING To reduce the risk of explosion, electric shock and property damage, always check the work area before beginning a job. Do not allow cable to contact electrical, chemical, or moving hazards.

Behind walls: Shut off circuit breakers to the entire area.

Inside Pipes: Ensure there is no electrical charge to the pipes before beginning inspection. Do not allow liquid to flow down cable and into tool.

Auto use: Turn off the engine and allow to cool before beginning inspection. Do not allow the camera or cable to contact oil, gas, or other corrosive materials.

CAUTION To reduce the risk of damage to the tool, do not use excessive force or “kink” the cable. Do not use in areas where camera and cable will contact corrosive or oily substances.

Do not use the cable to clear clogs or move obstructions. This is not a drain cleaner!

Using the Inspection Scope

1. Adjust the cable to best fit the opening.
2. After checking the workspace for hazards, insert the cable and adjust the lighting as necessary.

MAINTENANCE

WARNING To reduce the risk of injury, always unplug the charger and remove the battery pack from the charger or tool before performing any maintenance. Never disassemble the tool, battery pack or charger. Contact a **MILWAUKEE** service facility for ALL repairs.

Maintaining Tool

Keep your tool, battery pack and charger in good repair by adopting a regular maintenance program. After six months to one year, depending on use, return the tool, battery pack and charger to a **MILWAUKEE** service facility for:

- Lubrication
- Mechanical inspection and cleaning (gears, spindles, bearings, housing, etc.)
- Electrical inspection (battery pack, charger, motor)
- Testing to assure proper mechanical and electrical operation

If the tool does not start or operate at full power with a fully charged battery pack, clean the contacts on the battery pack. If the tool still does not work properly, return the tool, charger and battery pack, to a **MILWAUKEE** service facility for repairs.

WARNING To reduce the risk of personal injury and damage, never immerse your tool, battery pack or charger in liquid or allow a liquid to flow inside them.

Cleaning

Clean dust and debris from charger and tool vents. Keep tool handles clean, dry and free of oil or grease. Use only mild soap and a damp cloth to clean the tool, battery pack and charger since certain cleaning agents and solvents are harmful to plastics and other insulated parts. Some of these include gasoline, turpentine, lacquer thinner, paint thinner, chlorinated cleaning solvents, ammonia and household detergents containing ammonia. Never use flammable or combustible solvents around tools.

Repairs

For repairs, return the tool, battery pack and charger to the nearest service center listed on the back cover of this operator's manual.

ACCESSORIES

WARNING Always remove battery pack before changing or removing accessories. Only use accessories specifically recommended for this tool. Others may be hazardous.

For a complete listing of accessories refer to your **MILWAUKEE** Electric Tool catalog or go online to www.milwaukeetool.com. To obtain a catalog, contact your local distributor or a service center listed on the back cover of this operator's manual.

FIVE YEAR TOOL LIMITED WARRANTY

MILWAUKEE Test & Measurement Product (including bare tool, battery pack(s) and battery charger) is warranted to the original purchaser only to be free from defects in material and workmanship. Subject to certain exceptions, MILWAUKEE will repair or replace any part on this product which, after examination, is determined by MILWAUKEE to be defective in material or workmanship for a period of five (5) years* after the date of purchase. Return of the Test & Measurement tool to the nearest MILWAUKEE Electric Tool Corporation - factory Service Center, freight prepaid and insured is required. A copy of the proof of purchase should be included with the return product. This warranty does not apply to damage that MILWAUKEE determines to be from repairs made or attempted by anyone other than MILWAUKEE authorized personnel, misuse, alterations, abuse, normal wear and tear, lack of maintenance, or accidents.

*The warranty period for the LITHIUM-ION battery pack that ships with Test & Measurement Product is two (2) years from the date of purchase. *Alkaline battery that ships with Test & Measurement Product is separately warranted by the battery manufacturer.

*The warranty period for a NON-CONTACT VOLTAGE DETECTOR – 2201 20 or Plumb 2-Beam Plumb Laser – 2230 20 is one (1) year from the date of purchase.

Warranty Registration is not necessary to obtain the applicable warranty on MILWAUKEE product. The manufacturing date of the product will be used to determine the warranty period if no proof of purchase is provided at the time warranty service is requested.

ACCEPTANCE OF THE EXCLUSIVE REPAIR AND REPLACEMENT REMEDIES DESCRIBED HEREIN IS A CONDITION OF THE CONTRACT FOR THE PURCHASE OF EVERY MILWAUKEE PRODUCT. IF YOU DO NOT AGREE TO THIS CONDITION, YOU SHOULD NOT PURCHASE THE PRODUCT. IN NO EVENT SHALL MILWAUKEE BE LIABLE FOR ANY INCIDENTAL, SPECIAL, CONSEQUENTIAL OR PUNITIVE DAMAGES, OR FOR ANY COSTS, ATTORNEY FEES, EXPENSES, LOSSES OR DELAYS ALLEGED TO BE AS A CONSEQUENCE OF ANY DAMAGE TO, FAILURE OF, OR DEFECT IN ANY PRODUCT INCLUDING, BUT NOT LIMITED TO, ANY CLAIMS FOR LOSS OF PROFITS. SOME STATES DO NOT ALLOW THE EXCLUSION OR LIMITATION OF INCIDENTAL OR CONSEQUENTIAL DAMAGES, SO THE ABOVE LIMITATION OR EXCLUSION MAY NOT APPLY TO YOU. THIS WARRANTY IS EXCLUSIVE AND IN LIEU OF ALL OTHER WARRANTIES, WRITTEN OR ORAL. TO THE EXTENT PERMITTED BY LAW, MILWAUKEE DISCLAIMS ANY IMPLIED WARRANTIES, INCLUDING WITHOUT LIMITATION ANY IMPLIED WARRANTY OF MERCHANTABILITY OR FITNESS FOR A PARTICULAR USE OR PURPOSE; TO THE EXTENT SUCH DISCLAIMER IS NOT PERMITTED BY LAW, SUCH IMPLIED WARRANTIES ARE LIMITED TO THE DURATION OF THE APPLICABLE EXPRESS WARRANTY AS DESCRIBED ABOVE. SOME STATES DO NOT ALLOW LIMITATIONS ON HOW LONG AN IMPLIED WARRANTY LASTS, SO THE ABOVE LIMITATION MAY NOT APPLY TO YOU, THIS WARRANTY GIVES YOU SPECIFIC LEGAL RIGHTS, AND YOU MAY ALSO HAVE OTHER RIGHTS WHICH VARY FROM STATE TO STATE. This warranty applies to product sold in the U.S.A. and Canada only.

LIMITED WARRANTY - MEXICO, CENTRAL AMERICA AND CARIBBEAN

TECHTRONIC INDUSTRIES' warranty is for 5 year since the original purchase date.

This warranty card covers any defect in material and workmanship on this Power Tool.

To make this warranty valid, present this warranty card, sealed/stamped by the distributor or store where you purchased the product, to the Authorized Service Center (ASC). Or, if this card has not been sealed/stamped, present the original proof of purchase to the ASC.

Call toll-free 1 800 832 1949 to find the nearest ASC, for service, parts, accessories or components.

Procedure to make this warranty valid

Take the product to the ASC, along with the warranty card sealed/stamped by the distributor or store where you purchased the product, and there any faulty piece or component will be replaced without cost for you. We will cover all freight costs relative with this warranty process.

Exceptions

This warranty is not valid in the following situations:

- When the product is used in a different manners from the end-user guide or instruction manual.
- When the conditions of use are not normal.
- When the product was modified or repaired by people not authorized by TECHTRONIC INDUSTRIES.

Note: If cord set is damaged, it should be replaced by an Authorized Service Center to avoid electric risks.

Model: _____

Date of Purchase: _____

Distributor or Store Stamp: _____

SERVICE AND ATTENTION CENTER
Av Presidente Mazarik 29 Piso 7, 11570 Chapultepec Morales
Miguel Hidalgo, Distrito Federal, Mexico
Ph. 52 55 4160-3547

IMPORTED AND COMMERCIALIZED BY:
TECHTRONIC INDUSTRIES MEXICO, S.A. DE C.V.
Av Presidente Mazarik 29 Piso 7, 11570 Chapultepec Morales
Miguel Hidalgo, Distrito Federal, Mexico

RÈGLES GÉNÉRALES DE SÉCURITÉ POUR LES OUTILS

AVERTISSEMENT LIRE TOUTES LES RÈGLES ET INSTRUCTIONS DE SÉCURITÉ.
Ne pas suivre l'ensemble des règles et instructions peut entraîner une électrocution, un incendie ou des blessures graves. **Conserver les règles et les instructions à des fins de référence ultérieure.**

SÉCURITÉ DU LIEU DE TRAVAIL

- Veillez à ce que l'aire de travail soit propre et bien éclairée. Le désordre et le manque de lumière favorisent les accidents.
- Ne pas utiliser un outil électrique dans un environnement propice aux explosions, par exemple en présence de liquides, de gaz ou de poussières inflammables. Les outils électriques génèrent des étincelles qui peuvent enflammer la poussière ou les fumées.
- Ne pas utiliser l'outil électrique dans un endroit où celui-ci risque d'entrer en contact avec le câblage électrique ou un objet porteur d'une charge électrique. Le contact avec un fil sous tension « électrifié » les pièces métalliques exposées de l'outil et peut électrocuter l'utilisateur.
- Ne pas faire fonctionner l'outil électrique à proximité de la machinerie en mouvement. Le câble peut s'emmêler dans les pièces en mouvement, tirant ainsi sur l'outil et entraînant les mains et les bras de l'utilisateur.
- Ne pas faire fonctionner l'outil électrique à proximité de sources de chaleurs comme des radiateurs, des registres de chaleur, des poêles ou d'autres appareils (notamment des amplificateurs) produisant de la chaleur.
- S'assurer que les enfants et les curieux se trouvent à une bonne distance au moment d'utiliser ce produit. Les distractions peuvent résulter en une perte de contrôle.

SÉCURITÉ ÉLECTRIQUE

- Ne pas utiliser l'outil électrique sous la pluie ou dans des endroits humides. L'infiltration d'eau dans l'outil électrique augmente les risques de décharge électrique. Bien se sécher les mains avant de mettre l'outil en marche ou à l'arrêt ou avant de retirer ou d'installer la batterie.

SÉCURITÉ INDIVIDUELLE

- Rester vigilant, se concentrer sur son travail et faire preuve de bon sens au moment d'utiliser un outil électrique. Ne pas utiliser cet appareil en cas de fatigue ou sous l'influence de l'alcool, de drogues ou de médicaments. Un instant d'inattention suffit pour entraîner des blessures graves.
- Porter de l'équipement de protection de qualité professionnelle. Toujours porter une protection oculaire. Selon les conditions, porter aussi un masque antipoussières, des bottes de sécurité antidérapantes, un casque protecteur ou une protection auditive afin de réduire les blessures.
- Ne pas travailler hors de portée. Se tenir bien campé et en équilibre en tout temps. Une bonne stabilité procure un meilleur contrôle de l'outil électrique en cas d'imprévu.

UTILISATION ET ENTRETIEN DE L'OUTIL ÉLECTRIQUE

- Cette caméra d'inspection visuelle n'est pas conçue à des fins médicales ou pour procéder à des inspections corporelles.
- Entreposer l'outil électrique hors de la portée des enfants et interdire à quiconque de l'utiliser si la personne ne connaît pas bien le produit ou les instructions. Les outils sont dangereux dans les mains d'utilisateurs novices.
- Bien entretenir l'outil électrique. Être attentif à tout désalignement ou coincement des pièces en mouvement, à tout bris ou à toute autre condition préjudiciable au bon fonctionnement de l'outil. Ne pas utiliser le produit s'il émet de la fumée. En cas de dommages, faire réparer l'outil avant de l'utiliser. Plusieurs accidents sont causés par des produits mal entretenus.
- Utiliser l'outil électrique, les accessoires, les grains etc. conformément à ces instructions en tenant compte des conditions de travail et de la tâche à effectuer. L'utilisation de cet outil électrique pour effectuer une opération pour laquelle il n'est pas conçu peut occasionner une situation dangereuse. Utiliser seulement des accessoires conçus spécialement pour cet outil. L'utilisation d'autres types d'accessoires peut s'avérer dangereuse.
- Nettoyer seulement l'outil avec un chiffon sec. Certains agents de nettoyage et certains solvants peuvent détériorer le plastique et l'isolation des pièces. En voici des exemples : l'essence, la térebenthine, les diluants à laque ou à peinture, les solvants chlorés, l'ammoniaque et les détergents à usage domestique qui en contiennent. Nettoyer les événements de l'outil des débris et de la poussière. Garder les poignées de l'outil propres, sèches et exemptes d'huile ou de graisse.

UTILISATION ET ENTRETIEN DE LA BATTERIE

- Toujours retirer la cartouche de batterie avant de procéder au nettoyage de l'outil.
- Cet outil fonctionne avec une batterie de 12 V de MILWAUKEE. Ne pas tenter d'utiliser le produit à une autre tension ou avec un autre type d'alimentation.
- Ne recharger la batterie qu'avec le chargeur spécifié par le fabricant. Un chargeur qui convient à un type de batterie peut créer un risque d'incendie s'il est utilisé avec un autre type de batterie.
- N'utiliser l'outil électrique qu'avec une batterie recommandée. L'utilisation de toute autre batterie peut créer un risque de blessures et d'incendie.
- Lorsque la batterie n'est pas utilisée, la tenir éloignée des objets en métal tels que les

trombones, les pièces de monnaie, les clés, les clous, les vis ou d'autres petits objets métalliques qui pourraient connecter les bornes. Le court-circuitage des bornes de la batterie peut entraîner des brûlures ou un incendie.

• **Éviter tout contact avec le liquide pouvant être éjecté de la batterie en cas de manutention abusive. En cas de contact accidentel, rincer abondamment avec de l'eau. Si le liquide entre en contact avec les yeux, consulter un médecin.** L'électrolyte qui s'échappe de la batterie peut causer des démangeaisons ou des brûlures.

ENTRETIEN

• **Pour toute réparation, communiquer avec un centre de service MILWAUKEE. Confier la réparation de l'outil électrique à un réparateur qualifié qui utilise des pièces de rechange identiques aux pièces d'origine, ce qui préservera la sûreté de l'outil électrique.**

• **Ne jamais démonter l'outil électrique ou tenter de procéder à la réparation du câblage électrique de son système électrique.**

RÈGLES DE SÉCURITÉ SPÉCIFIQUES

• **Maintenir en l'état les étiquettes et les plaques d'identification.** Des informations importantes y figurent. Si elles sont illisibles ou manquantes, contacter un centre de services et d'entretien MILWAUKEE pour un remplacement gratuit.



Federal Communications Commission

AVERTISSEMENT Il s'agit d'un produit de classe A. Dans un environnement domestique, ce produit peut causer un brouillage radio, ce qui peut obliger l'utilisateur à prendre des mesures adéquates.

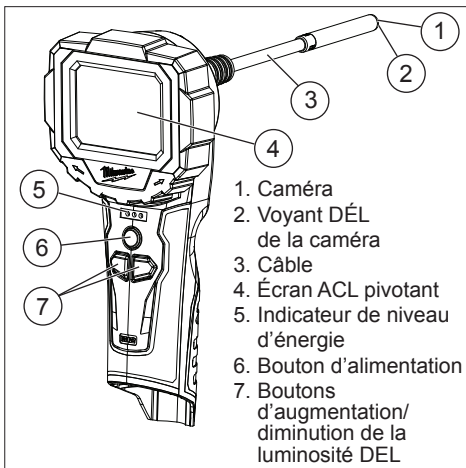
Cet équipement a été mis à l'essai et il a été déterminé qu'il est conforme aux normes sur les appareils numériques de classe A, selon la partie 15 des règles de la FCC (Commission fédérale des communications des États-Unis). Ces normes ont été fixées pour fournir une protection raisonnable contre un brouillage préjudiciable si l'équipement est utilisé dans un environnement commercial. Cet équipement produit et utilise de l'énergie RF. S'il n'est pas installé et utilisé conformément au manuel d'instructions, il peut brouiller de manière préjudiciable les radiocommunications. Le fait d'utiliser cet équipement dans un secteur résidentiel risque de produire un brouillage préjudiciable que l'utilisateur devra éliminer à ses frais.

Ce dispositif est conforme à la partie 15 des règles de la FCC (Commission fédérale des communications des États-Unis). Son utilisation est soumise aux deux conditions suivantes : (1) cet appareil ne doit produire aucun brouillage préjudiciable; (2) l'appareil doit fonctionner en dépit de tout brouillage produit, y compris le brouillage pouvant mener à une opération non désirée.

PICTOGRAPHIE

	Tension CD seul.
	L'utilisateur doit lire le manuel d'utilisation
	Porter une protection oculaire
	Pour éviter les décharges électriques, faire en sorte que le produit n'entre pas en contact avec des composants électriques sous tension.
	Federal Communications Commission (FCC)

DESCRIPTION FONCTIONNELLE



SPÉCIFICATIONS

No de cat.	Volts c.d.	Longueur du câble
2313-20	12	0,9 m (3')
2314-20	12	2,75 m (9')

MONTAGE DE L'OUTIL

⚠ AVERTISSEMENT Ne recharger la batterie qu'avec le chargeur spécifié. Pour les instructions de charge spécifiques, lire le manuel d'utilisation fourni avec le chargeur et les batteries.

Insertion et retrait de la batterie

Pour **retirer** la batterie, appuyer sur les boutons de relâchement puis extraire la batterie de l'outil. Pour **insérer** la batterie, la glisser dans le corps de l'outil. S'assurer qu'elle y est bien insérée.

Montage/démontage d'accessoires



Pour monter un accessoire, raccordez les deux crochets avant sur la face de la caméra. Appuyez sur l'agrafe de l'extrémité arrière de la caméra jusqu'à ce qu'elle s'enclenche dans les détentes. Pour démonter l'accessoire, tirez sur l'agrafe pour le décrocher.



MANIEMENT

⚠ AVERTISSEMENT Pour minimiser les risques de blessures, portez des lunettes à coques latérales. Retirez toujours la batterie avant de changer les accessoires ou d'effectuer des réglages.

Mise en marche et à l'arrêt

Appuyer sur le bouton d'alimentation  pour mettre en marche l'outil. Appuyer sur le bouton d'alimentation  et le tenir enfoncé pour mettre l'outil à l'arrêt.

Mode veille

L'outil s'éteint automatiquement après cinq minutes d'inutilisation. Pour le réinitialiser, appuyer encore sur le bouton d'alimentation.

Indicateur de charge de la batterie

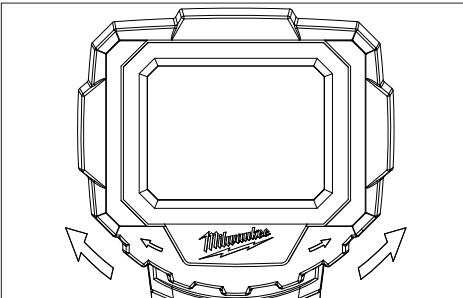
Pour déterminer l'autonomie de la batterie, mettre en marche l'outil. Pour signaler la fin de la charge, l'indicateur de charge de la batterie met à feu une lumière pendant deux à trois secondes.

Voyant DÉL de la caméra

Il est possible d'ajuster le voyant DÉL de la caméra selon trois niveaux d'intensité lumineuse, en plus de l'éteindre. Appuyer sur le bouton « DÉL » de la caméra afin d'augmenter le niveau d'intensité lumineuse du voyant ou de l'éteindre.

Écran pivotant

Pour faire pivoter l'écran afin de faciliter l'utilisation, saisissez le boîtier ACL et tournez-le dans le sens horaire ou antihoraire. L'écran peut être pivoté d'environ 270°.



⚠ AVERTISSEMENT Pour réduire les risques d'explosion, de décharges électriques ou de dommages matériels, toujours examiner le lieu de travail avant de débiter le travail. S'assurer que le câble n'entre pas en contact avec des composants électriques, des produits chimiques ou des pièces en mouvement.

Derrière les murs : Éteindre tous les disjoncteurs du lieu de travail.

À l'intérieur des tuyaux : S'assurer que les tuyaux ne sont pas sous tension avant de débiter l'inspection. S'assurer qu'aucun liquide ne coule le long du câble ou ne s'infiltré dans l'outil.

Mode automatique : Arrêter le moteur et le laisser refroidir avant de débiter l'inspection. S'assurer que la caméra d'inspection visuelle et le câble n'entrent pas en contact avec de l'huile, de l'essence ou d'autres substances corrosives.


⚠ AVERTISSEMENT Pour réduire les risques de dommages matériels, ne pas manipuler le câble avec trop de vigueur et éviter de l'entortiller. Ne pas utiliser l'outil dans des endroits où ce dernier, ou ses composants (le câble, par exemple), risquent d'entrer en contact avec des substances huileuses ou corrosives.

Ne pas utiliser le câble pour retirer ou déplacer des objets représentant un obstacle. Il ne s'agit pas d'un dégorgeoir!

Utilisation de la caméra d'inspection visuelle

1. Ajuster le câble de manière à ce qu'il s'insère parfaitement dans l'ouverture.
2. Après s'être assuré que le lieu de travail est sécuritaire, insérer le câble et régler l'intensité lumineuse selon les besoins.

ENTRETIEN


 **AVERTISSEMENT** Pour minimiser les risques de blessures corporelles, débranchez le chargeur et retirez la batterie du chargeur ou de l'outil avant d'y effectuer des travaux d'entretien. Ne démontez jamais l'outil, la batterie ou le chargeur. Pour toute réparation, consultez un centre de service **MILWAUKEE** accrédité.

Entretien de l'outil

Gardez l'outil, la batterie et le chargeur en bon état en adoptant un programme d'entretien ponctuel. Après une période de six mois à un an, selon l'utilisation, renvoyez l'outil, la batterie et le chargeur à un centre de service **MILWAUKEE** accrédité pour les services suivants:

- Lubrification
- Inspection et nettoyage de la mécanique (engrenages, pivots, coussinets, boîtier etc.)
- Inspection électrique (batterie, chargeur, moteur)
- Vérification du fonctionnement électromécanique

Si l'outil ne démarre pas ou ne fonctionne pas à pleine puissance alors qu'il est branché sur une batterie complètement chargée, nettoyez les points de contact entre la batterie et l'outil. Si l'outil ne fonctionne toujours pas correctement, renvoyez l'outil, le chargeur et la batterie à un centre de service **MILWAUKEE** accrédité, afin qu'on en effectue la réparation (voir "Réparations").

 **AVERTISSEMENT** Pour minimiser les risques de blessures ou de dommages à l'outil, n'immergez jamais l'outil, la batterie ou le chargeur et ne laissez pas de liquide s'y infiltrer.


Nettoyage

Débarrassez les événements du chargeur et de l'outil des débris et de la poussière. Gardez les poignées de l'outil propres, à sec et exemptes d'huile ou de graisse. Le nettoyage de l'outil, du chargeur et de la batterie doit se faire avec un linge humide et un savon doux. Certains nettoyants tels l'essence, la térébenthine, les diluants à laque ou à peinture, les solvants chlorés, l'ammoniaque et les détergents d'usage domestique qui en contiennent pourraient détériorer le plastique et l'isolation des pièces. Ne laissez jamais de solvants inflammables ou combustibles auprès de l'outil.

Réparations

Pour les réparations, retournez outil, batterie et chargeur en entier au centre-service le plus près, selon la liste apparaissant à la dernière page de ce manuel.

ACCESSOIRES

 **AVERTISSEMENT** Retirez toujours la batterie avant de changer ou d'enlever les accessoires. L'utilisation d'autres accessoires que ceux qui sont spécifiquement recommandés pour cet outil peut comporter des risques.

Pour une liste complète des accessoires, prière de se reporter au catalogue **MILWAUKEE** Electric Tool ou visiter le site internet www.milwaukeetool.com. Pour obtenir un catalogue, il suffit de contacter votre distributeur local ou l'un des centres-service énumérés sur la page de couverture de ce manuel.

GARANTIE LIMITÉE - AUX ÉTATS-UNIS ET AU CANADA

Les produits d'essai et de mesure MILWAUKEE (y compris l'outil, les blocs-piles au lithium-ion et le chargeur, mais non les piles alcalines) sont garantis à l'acheteur d'origine être exempts de vice du matériau et de fabrication. Sous réserve de certaines exceptions, MILWAUKEE réparera ou remplacera toute pièce de ce produit qui, après examen par MILWAUKEE, s'avère être affectée d'un vice du matériau ou de fabrication, pendant une période de cinq (5) ans* après la date d'achat. Retourner l'outil d'essai et de mesure, accompagné d'une copie de la preuve d'achat, au centre de réparations en usine MILWAUKEE (société d'outils électriques) le plus près. Cette garantie ne couvre pas les dommages que MILWAUKEE détermine être causés par des réparations ou des tentatives de réparation par quiconque autre que le personnel agréé par MILWAUKEE, des utilisations incorrectes, des altérations, des utilisations abusives, une usure normale, une carence d'entretien ou les accidents.

*La période de la garantie du bloc-piles au lithium-ion qui est fourni avec l'outil d'essai et de mesure est de deux (2) ans à compter de la date d'achat. *La pile alcaline qui est fournie avec l'outil d'essai et de mesure bénéficie d'une garantie distincte accordée par le fabricant de la pile. *La période de la garantie d'un DÉTECTEUR DE TENSION SANS CONTACT – 2201-20 est d'un (1) an à partir de la date d'achat.

L'enregistrement de la garantie n'est pas nécessaire pour bénéficier de la garantie en vigueur sur un produit MILWAUKEE. La date de fabrication du produit servira à établir la période de garantie si aucune preuve d'achat n'est fournie lorsqu'une demande de service sous garantie est faite.

L'ACCEPTATION DES RECOURS EXCLUSIFS DE RÉPARATION ET DE REMPLACEMENT DÉCRITS AUX PRÉSENTES EST UNE CONDITION DU CONTRAT D'ACHAT DE TOUT PRODUIT MILWAUKEE. SI VOUS N'ACCEPTÉZ PAS CETTE CONDITION, VOUS NE DEVEZ PAS ACHETER LE PRODUIT. EN AUCUN CAS MILWAUKEE NE SAURAIT ÊTRE RESPONSABLE DE TOUT DOMMAGE ACCESSOIRE, SPÉCIAL OU INDIRECT, DE DOMMAGES-INTÉRÊTS PUNITIFS OU DE TOUTE DÉPENSE, D'HONORAIRES D'AVOCATS, DE FRAIS, DE PERTE OU DE DÉLAIS ACCESSOIRES À TOUT DOMMAGE, DÉFAILLANCE OU DÉFAUT DE TOUT PRODUIT, Y COMPRIS NOTAMMENT LES PERTES DE PROFIT. CERTAINS ÉTATS ET PROVINCES NE PERMETTANT PAS L'EXCLUSION OU LA LIMITATION DES DOMMAGES DIRECTS OU INDIRECTS, LES RESTRICTIONS CI-DESSUS PEUVENT NE PAS ÊTRE APPLICABLES. CETTE GARANTIE EST EXCLUSIVE ET REMPLACE TOUTE AUTRE GARANTIE EXPRESSE, QU'ELLE SOIT ORALE OU ÉCRITE. DANS LA MESURE PERMISE PAR LA LOI, MILWAUKEE RENONCE À TOUTE GARANTIE IMPLICITE, Y COMPRIS, SANS S'Y LIMITER, TOUTE GARANTIE IMPLICITE DE QUALITÉ MARCHANDE OU D'ADAPTATION À UNE UTILISATION OU À UNE FIN PARTICULIÈRE. DANS LA MESURE OÙ UNE TELLE STIPULATION D'EXONÉRATION N'EST PAS PERMISE PAR LA LOI, LA DURÉE DE CES GARANTIES IMPLICITES EST LIMITÉE À LA PÉRIODE APPLICABLE DE LA GARANTIE EXPRESSE, TEL QUE DÉCRIT PRÉCÉDEMMENT. CERTAINS ÉTATS ET PROVINCES NE PERMETTANT PAS DE LIMITATION DE DURÉE DES GARANTIES IMPLICITES, LES RESTRICTIONS CI-DESSUS PEUVENT NE PAS ÊTRE APPLICABLES. LA PRÉSENTE CONFÈRE À L'UTILISATEUR DES DROITS LÉGAUX PARTICULIERS; IL BÉNÉFICIE ÉGALEMENT D'AUTRES DROITS QUI VARIENT D'UN ÉTAT À L'AUTRE.

Cette garantie s'applique aux produits vendus aux États-Unis, au Canada et au Mexique uniquement.

GARANTIE LIMITÉE - MEXIQUE, AMÉRIQUE CENTRALE ET CARAÏBES

TECHTRONIC INDUSTRIES® garantit le produit pendant cinq ans à partir de la date d'achat d'origine. Le présent bon de garantie couvre tous les vices de matériau et de fabrication que peut afficher cet outil électrique. Pour assurer la validité de la présente garantie, veuillez présenter le bon de commande, estampillé du sceau du distributeur ou du magasin où le produit a été acheté, au centre de réparations agréé. Si le bon de commande n'a pas été estampillé, veuillez fournir la preuve d'achat d'origine au centre de réparations agréé. Pour un entretien, des pièces, des accessoires ou d'autres composants, composer sans frais le 1-800-832-1949 afin d'obtenir les coordonnées du centre de réparations agréé le plus près.

Procédure pour assurer la validité de la garantie

Présenter le produit au centre de réparations agréé, accompagné du bon de commande estampillé du sceau du distributeur ou du magasin où le produit a été acheté. Toute pièce défectueuse ou tout composant défectueux sera remplacé sans frais. Milwaukee assume tous les frais de transport liés à ce processus de garantie.

Exceptions

La garantie ne s'applique pas dans les situations suivantes :

- Si le produit a été utilisé pour une fin autre que celle indiquée dans le guide de l'utilisateur final ou le manuel d'instructions.
- Si les conditions d'utilisations ne sont pas habituelles.
- Si le produit a été modifié ou réparé par une personne non autorisée par TECHTRONIC INDUSTRIES.

Note : Si le cordon électrique est endommagé, il doit être remplacé par un centre de réparations agréé pour éviter les risques d'électrocution.

Modèle : _____

Date d'achat : _____

Sceau du distributeur ou du magasin : _____

CENTRE DE RÉPARATIONS ET DE SERVICE
Av Presidente Mazarik 29 Piso 7, 11570 Chapultepec Morales
Miguel Hidalgo, Distrito Federal, Mexico
Ph. 52 55 4160-3547

IMPORTÉ ET COMMERCIALISÉ PAR :
TECHTRONIC INDUSTRIES MEXICO, S.A. DE C.V.
Av Presidente Mazarik 29 Piso 7, 11570 Chapultepec Morales
Miguel Hidalgo, Distrito Federal, Mexico

REGLAS DE SEGURIDAD GENERALES PARA HERRAMIENTAS OPERADAS POR BATERÍA

⚠ ADVERTENCIA LEA TODAS LAS ADVERTENCIAS E INSTRUCCIONES DE SEGURIDAD. Si no sigue todas las advertencias e instrucciones, se pueden provocar una descarga eléctrica, un incendio o lesiones graves. **GUARDE TODAS LAS ADVERTENCIAS E INSTRUCCIONES PARA CONSULTARLAS EN EL FUTURO.**

SEGURIDAD EN EL ÁREA DE TRABAJO

- Mantenga limpia y bien iluminada el área de trabajo. Las áreas desordenadas u oscuras contribuyen a que se produzcan accidentes.
- No utilice herramientas eléctricas en lugares donde se puedan producir explosiones, como en aquéllos donde hay líquidos, gases o polvo inflamables. Las herramientas eléctricas producen chispas que pueden encender el polvo o las emanaciones.
- No utilice herramientas eléctricas en un área donde pudiera haber cables eléctricos u objetos con carga eléctrica. Si la herramienta entra en contacto con un cable u objeto "con carga", la electricidad se transmitirá a sus piezas metálicas y le provocará una descarga eléctrica al operador.
- No utilice la herramienta eléctrica cerca de maquinaria en movimiento. El cable se podría enredar en las partes móviles y jalarle la herramienta eléctrica, las manos y los brazos.
- No la utilice cerca de fuentes de calor, como radiadores, rejillas de calefacción central, estufas u otros dispositivos (incluso amplificadores) que irradian calor.
- Mantenga a los niños y otras personas alejadas mientras utiliza una herramienta eléctrica. Las distracciones pueden hacerle perder el control.

SEGURIDAD ELÉCTRICA

- No exponga las herramientas eléctricas a la lluvia o a condiciones húmedas. El agua que penetra en una herramienta eléctrica aumenta el riesgo de descarga eléctrica. Séquese las manos antes de encender o apagar la herramienta y antes de retirar o instalar el cartucho de baterías.

SEGURIDAD PERSONAL

- Manténgase alerta, preste atención a lo que está haciendo y use el sentido común cuando utilice una herramienta eléctrica. No use una herramienta eléctrica cuando está cansado o bajo la influencia de drogas, alcohol o medicinas. Un instante de distracción cuando se utiliza una herramienta eléctrica puede tener como resultado lesiones graves.
- Use un equipo de protección personal. Lleve siempre protección ocular. Llevar equipo de protección apropiado para la situación, como una máscara antipolvo, zapatos de seguridad antideslizantes, casco o protección auditiva, reducirá las lesiones personales.
- No estire el cuerpo para alcanzar mayor distancia. Mantenga los pies bien asentados y el equilibrio en todo momento. Esto permite

tener mejor control de la herramienta eléctrica en situaciones inesperadas.

- Esta cámara para inspección visual no está diseñada para el uso médico ni para la inspección personal.

USO Y CUIDADO DE LAS HERRAMIENTAS ELÉCTRICAS

- Almacene las herramientas eléctricas fuera del alcance de los niños y no permita que las utilicen personas no familiarizadas con estos productos o estas instrucciones. Las herramientas eléctricas son peligrosas en las manos de usuarios no capacitados.
- Mantenimiento de las herramientas eléctricas. Revise que no haya piezas móviles que estén desalineadas o que se agarroten, piezas rotas ni ninguna otra condición que pueda afectar el funcionamiento de la herramienta eléctrica. No utilice la herramienta si ésta emite humo u otras emanaciones. Si se encuentran daños, haga que le reparen la herramienta antes de usarla. Las herramientas mal mantenidas son la causa de muchos accidentes.
- Use la herramienta eléctrica, los accesorios, las brocas, etc. según estas instrucciones, teniendo en cuenta las condiciones de trabajo y la tarea que se va a realizar. El uso de la herramienta eléctrica para operaciones diferentes de aquellas para las que se diseñó podría ocasionar una situación peligrosa. Use solamente accesorios específicamente recomendados para esta herramienta. El uso de otros puede resultar peligroso.
- Limpíela sólo con un paño seco. Ciertos agentes limpiadores y disolventes son perjudiciales para los plásticos y para otras piezas aisladas. Algunos de estos agentes son los siguientes: gasolina, turpentina, decapante para laca, decapante para pintura, soluciones limpiadoras con cloro, amoníaco y detergentes para la casa que contengan amoníaco. Limpie el polvo y los fragmentos de los orificios de ventilación. Mantenga el asidero de la herramienta limpio, seco y sin aceite o grasa.

USO Y CUIDADO DE LAS HERRAMIENTAS CON BATERÍA

- Antes de limpiar, siempre debe retirar el cartucho de baterías.
- Esta herramienta está diseñada para ser alimentada por una batería MILWAUKEE de 12 voltios. No intente utilizar otras fuentes de voltaje ni de alimentación.
- Recárguela solamente con el cargador especificado por el fabricante. Un cargador que sea apropiado para un tipo de batería puede crear riesgo de incendio cuando se use con otra batería.

- Use las herramientas eléctricas solamente con baterías específicamente diseñadas. El uso de cualquier otro tipo de batería puede crear riesgo de lesiones o incendio.
- Cuando no se use la batería manténgalo alejado de otros objetos de metal como clips para papel, monedas, llaves, clavos, tornillos u otros objetos de metal pequeños que puedan realizar una conexión entre los bornes. Realizar un cortacircuito en los terminales de la batería puede provocar quemaduras o un incendio.
- En condiciones extremas, puede salir líquido de la batería. Evite el contacto. Si se produce un contacto accidental, lavar con agua. Si el líquido entra en contacto con los ojos, buscar ayuda médica adicional. El líquido que sale despedido de la batería puede causar irritaciones o quemaduras.

MANTENIMIENTO

- Póngase en contacto con un centro de reparaciones **MILWAUKEE** para TODAS las reparaciones. Permita que un técnico de reparación calificado preste servicio a la herramienta eléctrica sólo con piezas de repuesto idénticas. Esto asegurará que se mantenga la seguridad de la herramienta eléctrica.
- No desarme la herramienta eléctrica ni intente cambiar el cableado del sistema eléctrico de la herramienta eléctrica.

REGLAS ESPECIFICAS DE SEGURIDAD

- Mantenga las etiquetas y las placas de identificación. Tienen información importante. Si no se pueden leer o no están colocadas, póngase en contacto con un centro de servicio **MILWAUKEE** para obtener un repuesto gratuito.



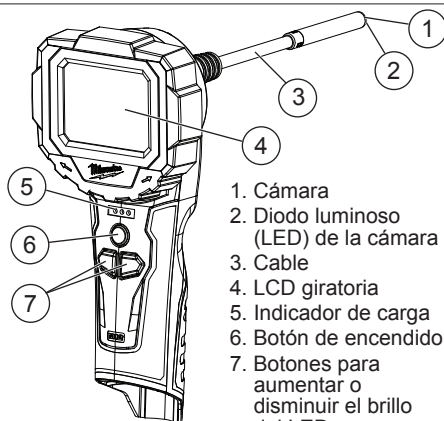
ADVERTENCIA Este es un producto de clase A. En un ambiente doméstico este producto puede causar interferencia con la radio; en tal caso, se solicitará al usuario tomar las medidas adecuadas.

Este equipo ha sido probado y se estableció que cumple con los límites de un dispositivo digital de Clase A, según lo dispone la Parte 15 de las reglas de la FCC (Comisión Federal de Comunicaciones). Estos límites están diseñados para brindar una protección razonable contra la interferencia dañina cuando se opera el equipo en un ambiente comercial. Este equipo genera, utiliza y puede irradiar energía de radiofrecuencia, y si no se instala y se utiliza de acuerdo con el manual de instrucciones, puede ocasionar interferencia dañina en las radiocomunicaciones. Es probable que el funcionamiento de este equipo en áreas residenciales cause interferencia dañina; en tal caso, el usuario necesitará corregir la interferencia por cuenta propia.

Este dispositivo cumple con la Parte 15 de las reglas de la FCC (Comisión Federal de Comunicaciones). El funcionamiento está sujeto a las dos condiciones siguientes:

(1) este dispositivo no puede causar interferencia dañina y (2) este dispositivo debe aceptar cualquier interferencia recibida, incluidas las que pueden ocasionar un funcionamiento no deseado.

DESCRIPCION FUNCIONAL



1. Cámara
2. Diodo luminoso (LED) de la cámara
3. Cable
4. LCD giratoria
5. Indicador de carga
6. Botón de encendido
7. Botones para aumentar o disminuir el brillo del LED

ESPECIFICACIONES

Cat. No.	Volts cd	Longitud del cable
2313-20	12	0,9 m (3')
2314-20	12	2,75 m (9')

SIMBOLOGÍA

	El usuario debe leer el manual del operador.
	Use protección ocular
	Para evitar una descarga eléctrica, no permita que el producto entre en contacto con partes eléctricas con carga.
	Comisión Federal de Comunicaciones
	Volts corriente directa

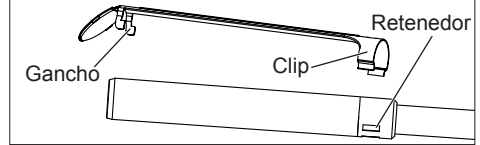
ENSAMBLAJE

⚠ ADVERTENCIA Recárguela solamente con el cargador especificado para la batería. Para obtener instrucciones específicas de carga, lea el manual del operador que se incluye con el cargador y la batería.

Cómo colocar y retirar el cartucho de baterías
Para **retirar** el cartucho de baterías, presione los botones de liberación y jale del cartucho de baterías para sacarlo de la herramienta.
Para **colocar** el cartucho de baterías, deslícelo en el cuerpo de la herramienta. Asegúrese de que quede correctamente colocado.

Colocar y quitar accesorios

Para colocar un accesorio, acople los dos ganchos delanteros sobre la parte frontal de la cámara. Pulse el clip en la parte posterior de la cámara para que encaje en los retenes. Para quitar, tire el clip hacia arriba y luego desenganche el accesorio.



OPERATION

⚠ ADVERTENCIA Para reducir el riesgo de una lesión, use siempre lentes de seguridad o anteojos con protectores laterales. Extraiga la batería antes de cambiar algún accesorio o de hacerle algún ajuste.

Encendido/apagado

Presione el botón de encendido **⏻** para encender la herramienta. Presione y no suelte el botón de encendido **⏻** para apagar la herramienta.

Modo de espera

La herramienta se apagará automáticamente si no está en uso durante 5 minutos. Para reiniciar, presione el botón de encendido otra vez.

Indicador de carga

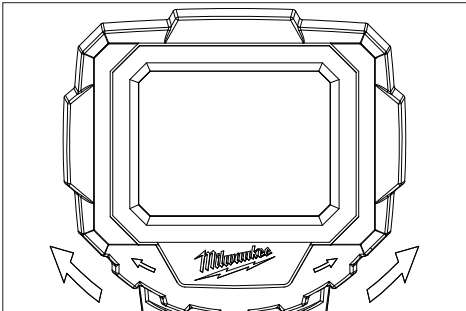
Para determinar la cantidad de carga que queda en la batería, encender la herramienta. El indicador de carga se encenderá durante 2-3 segundos. Para indicar el final de la carga, una luz en el indicador de carga se encenderá durante 2-3 segundos.

Diodo luminoso (LED) de la cámara

Se puede ajustar el diodo luminoso (LED) de la cámara en tres niveles de brillo y se lo puede apagar. Presione el botón del diodo luminoso (LED) de la cámara para aumentar el nivel de brillo o para apagarlo.

Pantalla giratoria

Para girar la pantalla para facilitar su uso, sujete la cubierta LCD y gírela a la derecha o a la izquierda. La pantalla se puede girar aproximadamente 270°.



⚠ ADVERTENCIA Para reducir el riesgo de explosión, descarga eléctrica y daños materiales, revise siempre el área de trabajo antes de comenzar una tarea. No permita que el cable entre en contacto con objetos eléctricos o móviles, o con sustancias químicas que impliquen un riesgo.

Detrás de las paredes: Corte los disyuntores de toda el área.

Dentro de las cañerías: Asegúrese de que no haya carga eléctrica en las cañerías antes de comenzar la inspección. No permita que el líquido fluya por el cable hasta el interior de la herramienta.

Uso en automóviles: Apague el motor y espere a que se enfríe antes de comenzar la inspección. No permita que la cámara para inspección visual o el cable entre en contacto con aceite, gasolina u otras sustancias corrosivas.


PRECAUCIÓN Para reducir el riesgo de daño de la herramienta, no ejerza demasiada fuerza ni "retuerza" el cable. No utilice en áreas donde la cámara de inspección visual y el cable entren en contacto con sustancias corrosivas o aceitosas.

No utilice el cable para desbloquear obturaciones o mover obstrucciones. ¡Este dispositivo no es un destapa cañerías!

Cómo utilizar la cámara para inspección visual


1. Ajuste el cable para que se adapte a la abertura de mejor manera posible.
2. Luego de identificar los riesgos del área de trabajo, introduzca el cable y ajuste la iluminación y la función de ampliación y reducción de imagen según sus necesidades.

ACCESORIOS

 **ADVERTENCIA** Para reducir el riesgo de lesiones, siempre extraiga la batería antes de cambiar o retirar accesorios. Utilice únicamente accesorios específicamente recomendados para esta herramienta. El uso de accesorios no recomendados podría resultar peligroso.

Para una lista completa de accesorios, refiérase a su catálogo *MILWAUKEE* Electric Tool o visite nuestro sitio en Internet: www.milwaukeetool.com. Para obtener un catálogo, contacte su distribuidor local o uno de los centros de servicio listos en la página de cubierta de este manual.

MANTENIMIENTO


 **ADVERTENCIA** Para reducir el riesgo de una lesión, desconecte siempre la herramienta antes de darle cualquier mantenimiento. Nunca desarme la herramienta ni trate de hacer modificaciones en el sistema eléctrico de la misma. Acuda siempre a un Centro de Servicio *MILWAUKEE* para **TODAS** las reparaciones.

Adopte un programa regular de mantenimiento y mantenga sus baterías y cargador en buenas condiciones. Después de 6 meses a un año, dependiendo del uso dado, envíe su herramienta, batería y cargador, al Centro de Servicio *MILWAUKEE* más cercano para que le hagan:

- Lubricación
- Inspección mecánica y limpieza (engranes, flechas, baleros, carcasa, etc.)
- Inspección eléctrica (batería, cargador, motor)
- Probarla para asegurar una adecuada operación mecánica y eléctrica

Mantenimiento de la herramienta

Si la herramienta no arranca u opera a toda su potencia con una batería completamente cargada, limpie, con una goma o borrador, los contactos de la batería y de la herramienta. Si aun así la herramienta no trabaja correctamente, regrésela, con el cargador y la batería, a un centro de servicio *MILWAUKEE* para que sea reparada.

 **ADVERTENCIA** Para reducir el riesgo de una explosión, no queme nunca una batería, aun si está dañada, "muerta" o completamente descargada.

Limpieza

Limpie el polvo y suciedad de las ventilas del cargador y la herramienta. Mantenga los mangos y empuñaduras limpios, secos y libres de aceite o grasa. Use solo jabón neutro y un trapo húmedo para limpiar la herramienta, batería y el cargador, ya que algunas sustancias y solventes limpiadores son dañinos a los plásticos y partes aislantes. Algunos de estos incluyen: gasolina, turpentina, thinner, lacas, thinner para pinturas, solventes para limpieza con cloro, amoníaco y detergentes caseros que tengan amonía. Nunca use solventes inflamables o combustibles cerca de una herramienta.

Reparaciones

Si su herramienta, batería o cargador están dañados, envíela al centro de servicio más cercano de los listados en la cubierta posterior de este manual del operario.

GARANTÍA LIMITADA - E.U.A. Y CANADA

Se garantiza al comprador original que los productos de pruebas y mediciones MILWAUKEE (que incluyen la herramienta, la(s) batería(s) de iones de litio y el cargador de baterías, excepto las baterías alcalinas) no presentan defectos de material ni de mano de obra. Sujeto a ciertas excepciones, MILWAUKEE reparará o reemplazará cualquier pieza de este producto que, después de ser examinada, MILWAUKEE determine que es defectuosa por material o mano de obra durante un período de cinco (5) años* después de la fecha de compra. Envíe la herramienta de pruebas y mediciones, y una copia del comprobante de la compra al centro de servicio más cercano de fábrica de MILWAUKEE Electric Tool Corporation. Esta garantía no se aplica a los daños que MILWAUKEE determine son consecuencia de reparaciones realizadas o intentos de reparaciones por parte de personal no autorizado por MILWAUKEE, uso indebido, alteraciones, abuso, desgaste y deterioro normales, falta de mantenimiento o accidentes.

*El período de garantía para la batería de IONES DE LITIO que viene con la herramienta de pruebas y mediciones es de dos (2) años a partir de la fecha de compra. *La batería alcalina que viene con la herramienta de pruebas y mediciones tiene una garantía por separado otorgada por el fabricante de la batería. *El período de garantía para un DETECTOR DE VOLTAJE SIN CONTACTO – 2201-20 es de un (1) año a partir de la fecha de compra.

No se necesita registro de garantía para obtener la garantía correspondiente de los productos MILWAUKEE. Se usará la fecha de fabricación del producto para determinar el período de garantía en caso de no presentarse el comprobante de la compra en el momento de solicitar el servicio de garantía.

LA ACEPTACIÓN DE LOS DERECHOS A REPARACIÓN Y REEMPLAZO EXCLUSIVAMENTE DESCRITOS EN EL PRESENTE DOCUMENTO CONSTITUYE UNA CONDICIÓN DEL CONTRATO POR LA COMPRA DE CADA PRODUCTO MILWAUKEE. SI NO ACEPTA ESTA CONDICIÓN, NO DEBE COMPRAR EL PRODUCTO. MILWAUKEE NO SERÁ EN NINGÚN CASO RESPONSABLE DE DAÑOS INCIDENTALES, ESPECIALES, CONSECUENTES O PUNITIVOS, NI DE COSTOS, HONORARIOS DE ABOGADOS, GASTOS, PÉRDIDAS O DEMORAS SUPUESTAMENTE CAUSADOS COMO CONSECUENCIA DE CUALQUIER DAÑO, FALLA O DEFECTO EN CUALQUIER PRODUCTO, INCLUIDOS, A MODO DE EJEMPLO, RECLAMOS POR PÉRDIDA DE GANANCIAS. ALGUNOS ESTADOS NO PERMITEN LA EXCLUSIÓN O LA LIMITACIÓN DE DAÑOS INCIDENTALES O CONSECUENTES. POR LO TANTO, LAS LIMITACIONES Y EXCLUSIONES ANTERIORES PUEDEN NO APLICARSE PARA USTED. ESTA GARANTÍA ES EXCLUSIVA Y SUSTITUYE A TODAS LAS OTRAS GARANTÍAS EXPRESAS, ESCRITAS U ORALES. SEGÚN LO PERMITA LA LEY, MILWAUKEE SE EXIME DE TODA GARANTÍA IMPLÍCITA, INCLUIDOS, A MODO DE EJEMPLO, TODA GARANTÍA IMPLÍCITA DE COMERCIABILIDAD O IDONEIDAD PARA UN USO O PROPOSITO EN PARTICULAR; EN LA MEDIDA EN QUE DICHA RENUNCIA NO ESTÉ PERMITIDA POR LA LEY, DICHAS GARANTÍAS IMPLÍCITAS ESTÁN LIMITADAS A LA DURACIÓN DE LA GARANTÍA EXPRESA APLICABLE SEGÚN SE DESCRIBE ANTERIORMENTE. ALGUNOS ESTADOS NO PERMITEN LIMITACIONES EN LA DURACIÓN DE UNA GARANTÍA IMPLÍCITA. POR LO TANTO, LA LIMITACIÓN ANTERIOR PUEDE NO APLICARSE PARA USTED. ESTA GARANTÍA LE OTORGA DERECHOS LEGALES ESPECÍFICOS Y TAMBIÉN PUEDE TENER OTROS DERECHOS QUE VARIAN DE ESTADO EN ESTADO.

Esta garantía se aplica únicamente a los productos vendidos en EE. UU., Canadá y México.

PÓLIZA DE GARANTÍA - VALIDA SOLO PARA MÉXICO, AMÉRICA CENTRAL Y EL CARIBE

TECHTRONIC INDUSTRIES, garantiza por 5 años este producto a partir de la fecha original de compra.

Esta garantía cubre cualquier defecto que presenten las piezas, componentes y la mano de obra contenidas en este producto. Para América Central y el Caribe se debe confirmar en el Centro de Servicio Autorizado el plazo de la garantía.

Para hacer efectiva la Garantía deberá presentar al Centro de Servicio Autorizado la Póliza de Garantía sellada por el establecimiento en donde adquirió el producto. Si no la tienen, podrá presentar el comprobante de compra original.

Usted puede llamar sin costo al teléfono 01 800 832 1949 o por correo electrónico a la dirección "servicio@tigroupna.com", para ubicar el Centro de Servicio Autorizado más cercano a su domicilio, en el cual además podrá adquirir partes, componentes, consumibles y accesorios, que usted necesite.

Procedimiento para hacer válida la garantía

Acuda al Centro de Servicio con el producto y la póliza de garantía sellada por el establecimiento donde realizó la compra. Ahí se reemplazará cualquier pieza o componente defectuoso sin cargo alguno para el usuario final. La empresa se hace responsable de los gastos de transportation razonablemente erogados que se deriven del cumplimiento de la presente garantía.

Excepciones

La garantía perderá validez en los siguientes casos:

- Cuando el producto se hubiese utilizado en condiciones distintas a las normales.
- Cuando el producto no hubiese sido operado de acuerdo con el instructivo de uso que le acompaña.
- Cuando el producto hubiese sido alterado o reparado por personas no autorizadas por TECHTRONIC INDUSTRIES.

Nota: Si el cordón de alimentación es dañado, este debe ser reemplazado por el fabricante o por un Centro de Servicio Autorizado para evitar riesgos.

Modelo: _____

Fecha de Compra: _____

Sello del Distribuidor: _____

CENTRO DE SERVICIO Y ATENCIÓN A CLIENTES
Av Presidente Mazanik 29 Piso 7, 11570 Chapultepec Morales
Miguel Hidalgo, Distrito Federal, Mexico
Tel. 52 55 4160-3547

IMPORTADO Y COMERCIALIZADO POR:
TECHTRONIC INDUSTRIES MEXICO, S.A. DE C.V.
Av Presidente Mazanik 29 Piso 7, 11570 Chapultepec Morales
Miguel Hidalgo, Distrito Federal, Mexico

UNITED STATES MILWAUKEE Service

MILWAUKEE prides itself in producing a premium quality product that is NOTHING BUT HEAVY DUTY®. Your satisfaction with our products is very important to us! If you encounter any problems with the operation of this tool, or you would like to locate the *factory Service/Sales Support Branch* or *authorized service station* nearest you, please call...

Additionally, we have a nationwide network of *authorized* Distributors ready to assist you with your tool and accessory needs. Check your "Yellow Pages" phone directory under "Tools-Electric" for the names & addresses of those nearest you or see the 'Where To Buy' section of our website.

1-800-SAWDUST

(1.800.729.3878)

Monday-Friday
7:00 AM - 6:30 PM
Central Time
or visit our website at

www.milwaukeetool.com

For service information, use the 'Service Center Search' icon found in the 'Parts & Service' section.

Contact our Corporate After Sales Service Technical Support about ...

- Technical Questions
- Service/Repair Questions
- Warranty

call: 1-800-SAWDUST

fax: 1.800.638.9582

email: metproductsupport@milwaukeetool.com

Register your tool online at www.milwaukeetool.com and...

- receive important notifications regarding your purchase
- ensure that your tool is protected under the warranty
- become a HEAVY DUTY club member

CANADA - Service MILWAUKEE

MILWAUKEE prides itself in producing a premium quality product that is NOTHING BUT HEAVY DUTY®. Your satisfaction with our products is very important to us!

If you encounter any problems with the operation of this tool, or you would like to locate the *factory Service/Sales Support Branch* or *authorized service station* nearest you, please call...

1.800.268.4015

Monday – Friday 7:00 – 4:30 CST

fax: 866.285.9049

Milwaukee Electric Tool (Canada) Ltd

140 Fernstaff Court, Unit 4 18129 111 Avenue NW
Vaughan, ON L4K 3L8 Edmonton, AB T5S 2P2

Additionally, we have a nationwide network of *authorized* Distributors ready to assist you with your tool and accessory needs. Call 1.800.268.4015 to find the names and addresses of the closest retailers or consult "Where to buy" on our Web site www.milwaukeetool.com

MILWAUKEE est fier de proposer un produit de première qualité NOTHING BUT HEAVY DUTY®. Votre satisfaction est ce qui compte le plus!

En cas de problèmes d'utilisation de l'outil ou pour localiser le centre de service/ventes ou le *centre d'entretien* le plus proche, appelez le...

1.800.268.4015

Lundi – Vendredi 7:00 – 4:30 CST

fax: 866.285.9049

Milwaukee Electric Tool (Canada) Ltd

140 Fernstaff Court, Unit 4 18129 111 Avenue NW
Vaughan, ON L4K 3L8 Edmonton, AB T5S 2P2

Notre réseau national de distributeurs *agréés* se tient à votre disposition pour fournir l'aide technique, l'outillage et les accessoires nécessaires. Composez le 1.800.268.4015 pour obtenir les noms et adresses des revendeurs les plus proches ou bien consultez la section «Où acheter» sur notre site web à l'adresse www.milwaukeetool.com

MEXICO - Soporte de Servicio MILWAUKEE

CENTRO DE ATENCIÓN A CLIENTES

Rafael Buelna No. 1, Col Tezozomoc,
Delegación Azcapotzalco, México, D.F.
Telefono sin costo 01 800 832 1949
e-mail: servicio@ttigroupna.com

Adicionalmente, tenemos una red nacional de distribuidores autorizados listos para ayudarle con su herramienta y sus accesorios. Por favor, llame al 01 800 832 1949 para obtener los nombres y direcciones de los más cercanos a usted, o consulte la sección 'Where to buy' (Dónde comprar) de nuestro sitio web en

www.ttigroupmexico.com

Registre su herramienta en línea, en www.ttigroupmexico.com y...

- reciba importantes avisos sobre su compra
- asegúrese de que su herramienta esté protegida por la garantía
- conviértase en integrante de Heavy Duty

MILWAUKEE ELECTRIC TOOL CORPORATION
13135 West Lisbon Road • Brookfield, Wisconsin, U.S.A. 53005