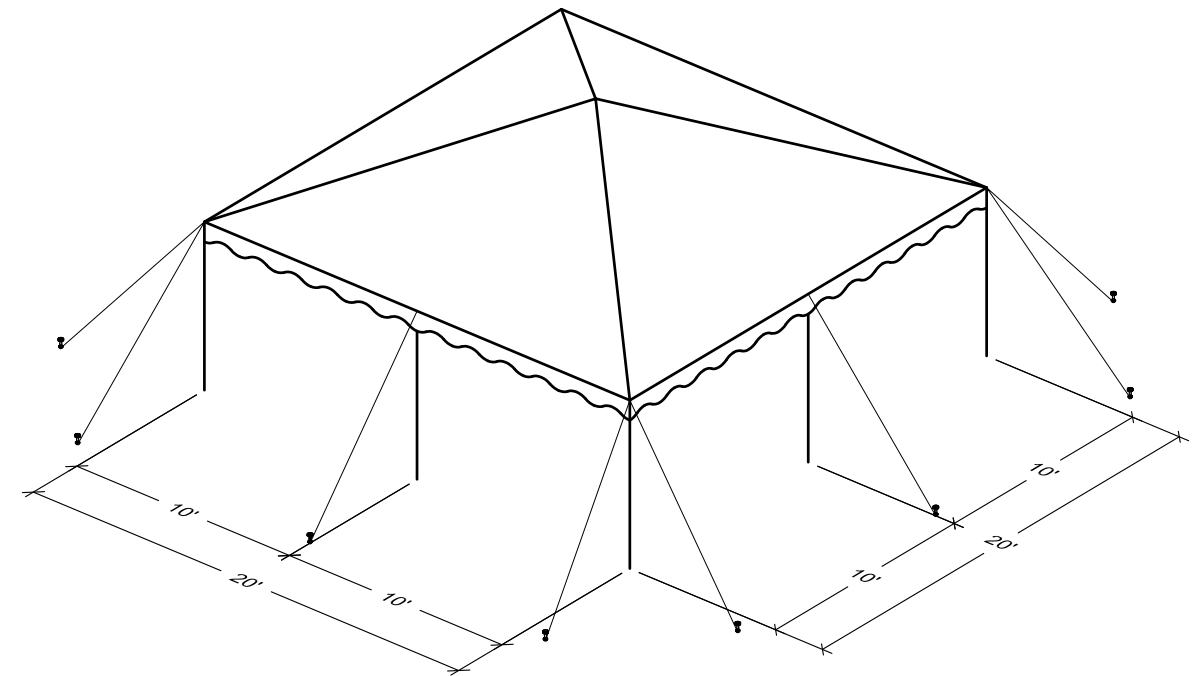
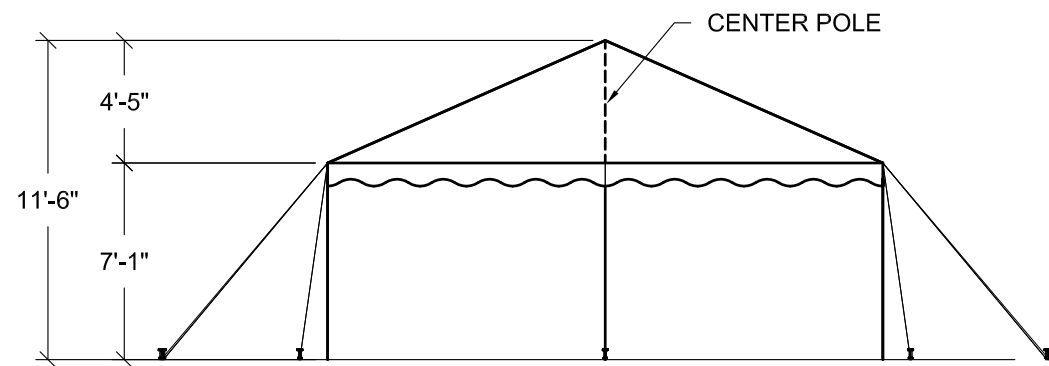


PLAN



ISOMETRIC



SIDE ELEVATION

REVISIONS			ANCHOR INDUSTRIES INC.		
EC/PR NO.	DATE	BY	BROCHURE DRAWING 20' SQ. ALL PURPOSE CANOPY		
1	05-11-11	DMK	DRAWN BY: DMK	CHECKED BY:	DRAWING NO.
			APPROVED BY:	EC/PR NO.	DATE: 01-30-09
					09-130-2