

STIHL®

STIHL KM 110 R, 130 R

Instruction Manual
Manual de instrucciones



Warning!

Read and follow all safety precautions in Instruction Manual – improper use can cause serious or fatal injury.

Advertencia!

Lea y siga todas las precauciones de seguridad dadas en el manual de instrucciones – el uso incorrecto puede causar lesiones graves o mortales.



Instruction Manual

1 - 36

Manual de instrucciones

37 - 76

Contents

| | |
|--|----|
| KombiSystem | 2 |
| Guide to Using this Manual | 2 |
| Safety Precautions and Working Techniques | 3 |
| Approved KombiTools | 11 |
| Mounting the Loop Handle | 12 |
| Adjusting the Throttle Cable | 13 |
| 4-MIX Engine | 13 |
| Fuel | 13 |
| Fueling | 14 |
| Starting / Stopping the Engine | 16 |
| Operating Instructions | 18 |
| Cleaning the Air Filter | 18 |
| Engine Management | 19 |
| Adjusting the Carburetor | 19 |
| Spark Arresting Screen in Muffler | 21 |
| Spark Plug | 22 |
| Replacing the Starter Rope and Rewind Spring | 23 |
| Storing the Machine | 25 |
| Maintenance and Care | 26 |
| Main Parts | 28 |
| Specifications | 29 |
| Special Accessories | 30 |
| Maintenance and Repairs | 31 |
| STIHL Incorporated Federal Emission Control Warranty Statement | 31 |
| STIHL Incorporated California Exhaust and Evaporative Emissions Control Warranty Statement | 33 |

| | |
|------------|----|
| Trademarks | 35 |
|------------|----|

Allow only persons who fully understand the manuals of the KombiEngine and the KombiTool to operate this power tool combination.

To receive maximum performance and satisfaction from your STIHL power tool, it is important that you read, understand and follow the safety precautions and the operating and maintenance instructions in chapter "Safety Precautions and Working Techniques" before using your power tool. For further information you can go to www.stihlusa.com.

Contact your STIHL dealer or the STIHL distributor for your area if you do not understand any of the instructions in the two manuals.

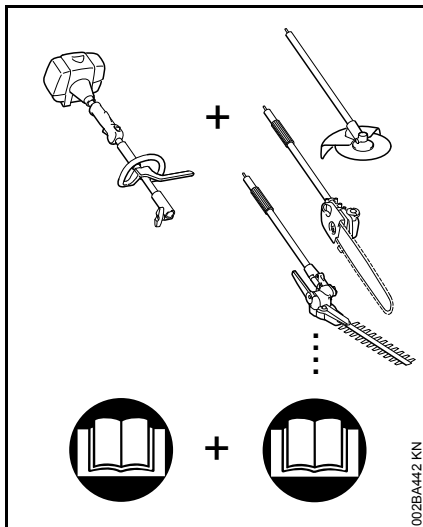
Warning!

Because this KombiEngine is the engine for a high-speed power tool, some special safety precautions must be observed to reduce the risk of personal injury. Careless or improper use may cause serious or even fatal injury.

STIHL®

KM 110 R, KM 130 R

KombiSystem



In the STIHL KombiSystem a number of different KombiEngines and KombiTools can be combined to produce a power tool. In this instruction manual the functional unit formed by the KombiEngine **and** KombiTools is referred to as the power tool.

Therefore, the separate instruction manuals for the KombiEngine and KombiTool should be used together for the power tool.

Always read and make sure you understand both instruction manuals before using your power tool for the first time and keep them in a safe place for future reference.

Guide to Using this Manual

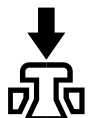
Pictograms

The meanings of the pictograms attached to or embossed on the machine are explained in this manual.

Depending on the model concerned, the following pictograms may be on your machine.



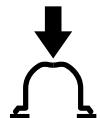
Fuel tank for gasoline and engine oil mixture



Press to operate decompression valve



Manual fuel pump



Press to operate manual fuel pump



Filler hole for gear lubricant



Air intake summer mode



Air intake winter mode



Handle heating

Symbols in Text

Many operating and safety instructions are supported by illustrations.

The individual steps or procedures described in the manual may be marked in different ways:

- A bullet marks a step or procedure.

A description of a step or procedure that refers directly to an illustration may contain item numbers that appear in the illustration. Example:

- Loosen the screw (1).
- Lever (2) ...

In addition to the operating instructions, this manual may contain paragraphs that require your special attention. Such paragraphs are marked with the symbols and signal words described below:



DANGER

Indicates an imminent risk of severe or fatal injury.



WARNING

Indicates a hazardous situation which, if not avoided, could result in severe or fatal injury.



Indicates a risk of property damage, including damage to the machine or its individual components.

Engineering Improvements

STIHL's philosophy is to continually improve all of its products. As a result, engineering changes and improvements are made from time to time. Therefore, some changes, modifications and improvements may not be covered in this manual. If the operating characteristics or the appearance of your machine differs from those described in this manual, please contact your STIHL dealer for assistance.

Safety Precautions and Working Techniques



Because this KombiEngine is the engine for a high-speed power tool, special safety precautions must be observed to reduce the risk of personal injury.



It is important that you read, fully understand and observe the following safety precautions and warnings. Read the instruction manuals and the safety precautions of your KombiEngine and KombiTool periodically. Careless or improper use may cause serious or fatal injury.

Have your STIHL dealer show you how to operate your power tool. Observe all applicable local safety regulations, standards and ordinances.



Warning!

Do not lend or rent your power tool without the instruction manuals. Be sure that anyone using it understands the information contained in these manuals.

Use your power tool only for the applications described in the instruction manual of the KombiTool you are using.



Warning!

Do not use it for other purposes, since misuse may result in personal injury or property damage, including damage to the machine.



Warning!

Minors should never be allowed to use this power tool. Bystanders, especially children, and animals should not be allowed in the area where it is in use.



Warning!

To reduce the risk of injury to bystanders and damage to property, never let your power tool run unattended. When it is not in use (e.g. during a work break), shut it off and make sure that unauthorized persons do not use it.

Most of these safety precautions and warnings apply to the use of all STIHL power tools. Different models may have different parts and controls. See the appropriate section of your KombiEngine and KombiTool instruction manuals for a description of the controls and the function of the parts of your model.

Do not clean your machine with a pressure washer. The solid jet of water may damage parts of the machine.

Safe use of a KombiEngine involves

1. the operator
2. the power tool
3. the use of the power tool

THE OPERATOR

Physical Condition

You must be in good physical condition and mental health and not under the influence of any substance (drugs, alcohol, etc.) which might impair vision, dexterity or judgment. Do not operate this machine when you are fatigued.



Warning!

Be alert – if you get tired, take a break. Tiredness may result in loss of control. Working with any power tool can be strenuous. If you have any condition that might be aggravated by strenuous work, check with your doctor before operating this machine.



Warning!

Prolonged use of a power tool (or other machines) exposing the operator to vibrations may produce whitefinger disease (Raynaud's phenomenon) or carpal tunnel syndrome.

These conditions reduce the hand's ability to feel and regulate temperature, produce numbness and burning sensations and may cause nerve and circulation damage and tissue necrosis.

All factors which contribute to whitefinger disease are not known, but cold weather, smoking and diseases or physical conditions that affect blood vessels and blood transport, as well as high vibration levels and long periods of

exposure to vibration are mentioned as factors in the development of whitefinger disease. In order to reduce the risk of whitefinger disease and carpal tunnel syndrome, please note the following:

- Most STIHL power tools are available with an anti-vibration ("AV") system designed to reduce the transmission of vibrations created by the machine to the operator's hands. An AV system is recommended for those persons using power tools on a regular or sustained basis.
- Wear gloves – not while using KombiTool BG-KM – and keep your hands warm.
- Keep the AV system well maintained. A power tool with loose components or with damaged or worn AV elements will tend to have higher vibration levels.
- Maintain a firm grip at all times, but do not squeeze the handles with constant, excessive pressure. Take frequent breaks.

All the above-mentioned precautions do not guarantee that you will not sustain whitefinger disease or carpal tunnel syndrome. Therefore, continual and regular users should closely monitor the condition of their hands and fingers. If any of the above symptoms appear, seek medical advice immediately.



Warning!

The ignition system of the STIHL unit produces an electromagnetic field of a very low intensity. This field may interfere with some pacemakers. To reduce the risk of serious or fatal injury, persons with a pacemaker should consult their physician and the pacemaker manufacturer before operating this tool.

Proper Clothing



Warning!

To reduce the risk of injury, the operator should wear proper protective apparel.



Warning!



Power tool noise may damage your hearing. Wear sound barriers (ear plugs or ear muffs) to protect your hearing.

Continual and regular users should have their hearing checked regularly.

Be particularly alert and cautious when wearing hearing protection because your ability to hear warnings (shouts, alarms, etc.) is restricted.



Avoid loose-fitting jackets, scarfs, neckties, jewelry, flared or cuffed pants, unconfined long hair or anything that could become caught on branches, brush or the moving parts of the unit. Secure hair so it is above shoulder level.

For further instructions on proper clothing see the safety precautions in the instruction manual of the KombiTool you are using.

THE POWER TOOL

For illustrations and definitions of the power tool parts see the chapter on "Main Parts."



Warning!

Never modify this power tool in any way. Only attachments supplied by STIHL or expressly approved by STIHL for use with the specific STIHL KombiEngine model are authorized. Although certain unauthorized attachments are useable with STIHL power tools, their use may, in fact, be extremely dangerous.

If this tool is subjected to unusually high loads for which it was not designed (e.g. heavy impact or a fall), always check that it is in good condition before continuing work. Check in particular that the fuel system is tight (no leaks) and that the controls and safety devices are working properly. Do not continue operating this machine if it is damaged. In case of doubt, have it checked by your STIHL servicing dealer.

THE USE OF THE POWER TOOL

Transporting the Power Tool



Warning!

Always switch off the engine and make sure the working tool has stopped before putting a power tool down. When transporting your power tool in a vehicle, properly secure it to prevent turnover, fuel spillage and damage to the power tool.

Fuel

Your STIHL power tool uses an oil-gasoline mixture for fuel (see the chapter on "Fuel" of your instruction manual).



Warning!



Gasoline is an extremely flammable fuel. If spilled and ignited by a spark or other ignition source, it can cause fire and serious burn injury or

property damage. Use extreme caution when handling gasoline or fuel mix. Do not smoke or bring any fire or flame near the fuel or the power tool. Note that combustible fuel vapor may escape from the fuel system.

Fueling Instructions



Warning!

To reduce the risk of serious injury from burns, never attempt to refuel the unit until it has been completely removed from the operator.



Warning!

Fuel your power tool in well-ventilated areas, outdoors. Always shut off the engine and allow it to cool before refueling. Gasoline vapor pressure may build up inside the fuel tank depending on the fuel used, the weather conditions and the tank venting system.

In order to reduce the risk of burns and other personal injury from escaping gas vapor and fumes, remove the fuel filler cap on your power tool carefully so as to allow any pressure build-up in the tank to release slowly. Never remove the fuel filler cap while the engine is running.

Select bare ground for fueling and move at least 10 feet (3 m) from the fueling spot before starting the engine. Wipe off any spilled fuel before starting your machine.



Warning!



Check for fuel leakage while refueling and during operation. If fuel leakage is found, do not start or run the engine until the leak is fixed and

any spilled fuel has been wiped away. Take care not to get fuel on your clothing. If this happens, change your clothing immediately.

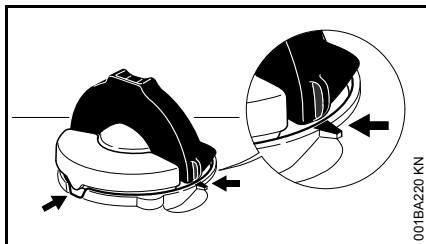
Different models may be equipped with different fuel caps.

Toolless cap with grip



Warning!

In order to reduce the risk of fuel spillage and fire from an improperly tightened fuel cap, correctly position and tighten the fuel cap in the fuel tank opening.



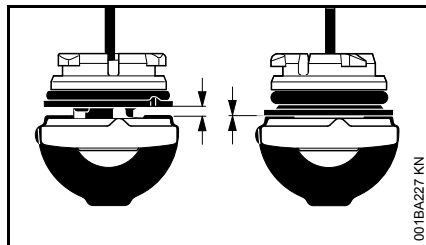
To do this with this STIHL cap, raise the grip on the top of the cap until it is upright at a 90° angle. Insert the cap in the fuel tank opening with the raised positioning marks on the grip of the cap and on the fuel tank opening lining up. Using the grip, press the cap down firmly while turning it clockwise as far as it will go (approx. 1/4 turn).



Fold the grip flush with the top of the cap. Grip the cap and check for tightness. If the grip does not lie completely flush with the cap and the detent on the grip does not fit in the corresponding recess in the filler opening, or if the cap is loose in the filler opening, the cap is not properly seated and tightened and you must repeat the above steps.

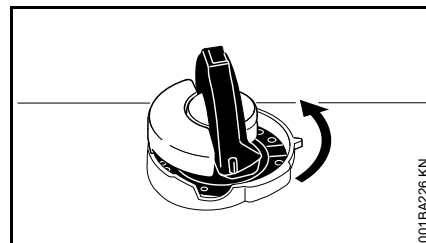
Misaligned, damaged or broken cap

- If the cap does not drop fully into the opening when the positioning marks line up and/or if the cap does not tighten properly when twisted, the base of the cap may be prematurely rotated (in relation to the top) to the closed position. Such misalignment can result from handling, cleaning or an improper attempt at tightening.



Left: Base of cap in closed position (with open space)

Right: Base of cap correctly positioned for installation



- To return the cap to the open position for installation, turn the cap (with the grip up) until it drops fully into the tank opening. Next, twist the cap counterclockwise as far as it will go (approx. 1/4 turn) – this will twist the base of the cap into the correct position. Then, twist the cap clockwise, closing it normally.
- If your cap still does not tighten properly, it may be damaged or broken; immediately stop use of the unit and take it to your authorized STIHL dealer for repair.

Screw Cap



Warning!



Unit vibrations can cause an improperly tightened fuel filler cap to loosen or come off and spill quantities of fuel. In order to reduce the risk of fuel

spillage and fire, tighten the fuel filler cap by hand as securely as possible.

See also the "Fueling" chapter in your Instruction Manual for additional information.

Before Starting

Warning!

Always check your power tool for proper condition and operation before starting, particularly the throttle trigger, throttle trigger lockout, stop switch, cutting attachment, deflector and harness. The throttle trigger must move freely and always spring back to the idle position. Never attempt to modify the controls or safety devices.

Warning!

Never operate your power tool if it is damaged, improperly adjusted or maintained, or not completely or securely assembled.

Warning!

Check that the spark plug boot is securely mounted on the spark plug – a loose boot may cause arcing that could ignite combustible fumes and cause a fire.

Keep the handles clean and dry at all times; it is particularly important to keep them free of moisture, pitch, oil, fuel mix, grease or resin in order for you to maintain a firm grip and properly control your power tool.

Starting

Start the engine at least 10 feet (3 m) from the fueling spot, outdoors only.

For specific starting instructions, see the appropriate section of your KombiEngine and KombiTool manuals. Place the power tool on firm ground or

other solid surface in an open area. Maintain good balance and secure footing.

Warning!

To reduce the risk of injury from loss of control, be absolutely sure that the working tool is clear of you and all other obstructions and objects, including the ground, because when the engine starts at starting-throttle, engine speed will be fast enough for the clutch to engage and move the working tool.

Once the engine has started, immediately blip the throttle trigger, which should release the starting throttle and allow the engine to slow down to idle.

Warning!

Your power tool is a one-person machine. Do not allow other persons in the general work area, even when starting.

Warning!

To reduce the risk of injury from loss of control, do not attempt to "drop start" your power tool.

Warning!

When you pull the starter grip, do not wrap the starter rope around your hand. Do not let the grip snap back, but guide the starter rope to rewind it properly. Failure to follow this procedure may result in injury to your hand or fingers and may damage the starter mechanism.

See also the safety precautions on Starting in the instruction manual of the KombiTool.

Important Adjustments

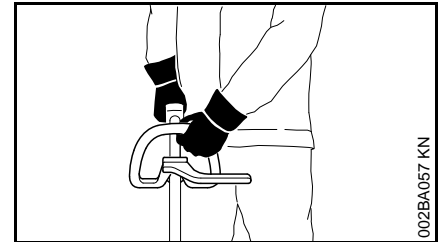
Warning!

To reduce the risk of personal injury from loss of control or contact with the running working tool, do not use a power tool with incorrect idle adjustment. At correct idle speed, the working tool should not move. For directions on how to adjust idle speed, see the appropriate section of your instruction manual.

If you cannot set the correct idle speed, have your STIHL dealer check your power tool and make proper adjustments and repairs.

During Operation

Holding and Controlling the Power Tool



Always hold the unit firmly with both hands on the handles while you are working. Wrap your fingers and thumbs around the handles.

Your right hand should grip the rear handle. This also applies to left-handers.

 **Warning!**

To reduce the risk of injury from loss of control, never work on a ladder or on any other insecure support.

Working Conditions

Operate and start your power tool only outdoors in a well ventilated area. Operate it under good visibility and daylight conditions only. Work carefully.

 **Warning!**



As soon as the engine is running, this product generates toxic exhaust fumes containing chemicals, such as unburned hydrocarbons (including benzene) and carbon monoxide, that are known to cause respiratory problems, cancer, birth defects, or other reproductive harm. Some of the gases (e.g. carbon monoxide) may be colorless and odorless. To reduce the risk of serious or fatal injury/illness from inhaling toxic fumes, never run the machine indoors or in poorly ventilated locations.

 **Warning!**

Inhalation of certain dusts, especially organic dusts such as mold or pollen, can cause susceptible persons to have an allergic or asthmatic reaction. Substantial or repeated inhalation of dust and other airborne contaminants, in particular those with a smaller particle size, may cause respiratory or other illnesses. Control dust at the source where possible. Use good work practices, such as operating the unit so that the wind or operating process directs any dust raised by the power tool away from the operator. Follow the recommendations of EPA/OSHA/NIOSH and occupational and trade associations with respect to dust ("particulate matter"). When the inhalation of dust cannot be substantially controlled, i.e., kept at or near the ambient (background) level, the operator and any bystanders should wear a respirator approved by NIOSH/MSHA for the type of dust encountered.

Operating Instructions

 **Warning!**

Do not operate your power tool using the starting throttle lock, as you do not have control of the engine speed.

In the event of an emergency, switch off the engine immediately – move the slide control / stop switch to **0** or **STOP**.

 **Warning!**

Never modify your muffler. Any modification could cause an increase in heat radiation, sparks or sound level, thereby increasing the risk of fire, burn injury or hearing loss. You may also permanently damage the engine. Have your muffler serviced and repaired by your STIHL servicing dealer only.

 **Warning!**

The muffler and other parts of the engine (e.g. fins of the cylinder, spark plug) become hot during operation and remain hot for a while after stopping the engine. To reduce risk of burns, do not touch the muffler and other parts while they are hot. Keep the area around the muffler clean. Remove excess lubricant and all debris such as pine needles, branches or leaves. Let the engine cool down sitting on concrete, metal, bare ground or solid wood away from any combustible substances.

 **Warning!**

An improperly mounted or damaged cylinder housing or a damaged/deformed muffler shell may interfere with the cooling process of the muffler. To reduce the risk of fire or burn injury, do not continue work with a damaged or improperly mounted cylinder housing or a damaged/deformed muffler shell.

Your muffler is furnished with a spark arresting screen designed to reduce the risk of fire from the emission of hot particles. Never operate your unit with a missing or damaged spark arresting screen. If your gas/oil mix ratio is correct

(i.e., not too rich), this screen will normally stay clean as a result of the heat from the muffler and need no service or maintenance. If you experience loss of performance and you suspect a clogged screen, have your muffler maintained by a STIHL servicing dealer. Some state or federal laws or regulations may require a properly maintained spark arrestor for certain uses. See the "Maintenance, Repair and Storing" section of these Safety Precautions. Remember that the risk of a brush or forest fire is greater in hot or dry conditions.



Warning!



Some STIHL power tools are equipped with a catalytic converter, which is designed to reduce the exhaust emissions of the engine by a chemical

process in the muffler. Due to this process, the muffler does not cool down as rapidly as conventional mufflers when the engine returns to idle or is shut off. To reduce the risk of fire and burn injuries when using a catalytic converter, always set your power tool down in the upright position and never locate it where the muffler is near dry brush, grass, wood chips or other combustible materials while it is still hot.

MAINTENANCE, REPAIR AND STORING

Maintenance, replacement, or repair of the emission control devices and systems may be performed by any nonroad engine repair establishment or

individual. However, if you make a warranty claim for a component which has not been serviced or maintained properly or if nonapproved replacement parts were used, STIHL may deny coverage.



Warning!

Use only identical STIHL replacement parts for maintenance and repair. Use of non-STIHL parts may cause serious or fatal injury.

Strictly follow the maintenance and repair instructions in the appropriate section of your KombiEngine and KombiTool instruction manuals. Please refer to the maintenance charts respectively the maintenance notes in these manuals.



Warning!

Always stop the engine and make sure that the working tool is stopped before doing any maintenance or repair work or cleaning the power tool. Do not attempt any maintenance or repair work not described in your KombiEngine and KombiTool instruction manuals. Have such work performed by your STIHL servicing dealer only.



Warning!

Use the specified spark plug and make sure it and the ignition lead are always clean and in good condition. Always press spark plug boot snugly onto spark plug terminal of the proper size. (Note: If terminal has detachable SAE adapter nut, it must be attached.) A loose connection between spark plug boot and the ignition wire connector in the boot may create arcing that could ignite combustible fumes and cause a fire.



Warning!

Never test the ignition system with the ignition wire boot removed from the spark plug or with a removed spark plug, since uncontained sparking may cause a fire.



Warning!

Do not operate your power tool if the muffler is damaged, missing or modified. An improperly maintained muffler will increase the risk of fire and hearing loss. Your muffler is equipped with a spark-arresting screen to reduce the risk of fire; never operate your power tool if the screen is missing, damaged or clogged. Remember that the risk of a brush or forest fire is greater in hot or dry weather.

In California, it is a violation of § 4442 or § 4443 or the Public Resources Code to use or operate gasoline-powered tools on forest-covered, brush-covered or grass-covered land unless the engine's exhaust system is equipped with a complying spark arrestor that is maintained in effective working order.

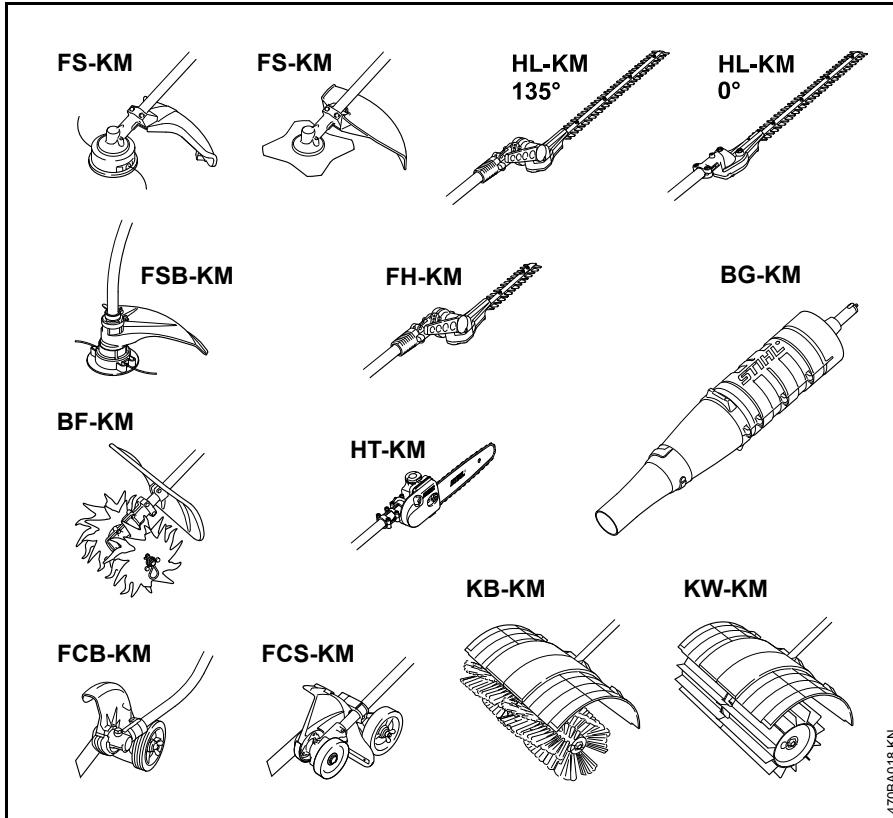
English

The owner/operator of this product is responsible for properly maintaining the spark arrester. Other states or governmental entities/agencies, such as the U.S. Forest Service, may have similar requirements. Contact your local fire agency or forest service for the laws or regulations relating to fire protection requirements.

Store the power tool in a dry and high or locked location out of reach of children.

Before storing for longer than a few days, always empty the fuel tank. See chapter "Storing the machine" in this manual.

Approved KombiTools



The following STIHL KombiTools may be mounted on the KombiEngine:

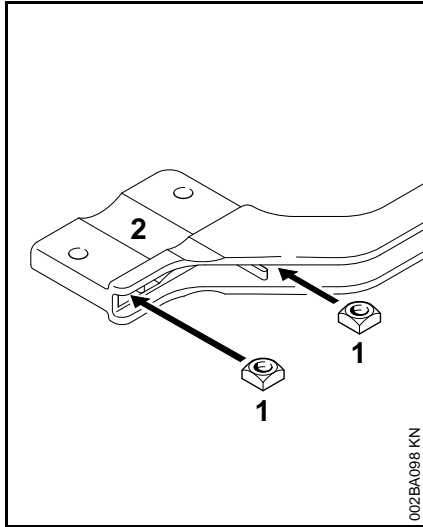
| KombiTool | Purpose |
|------------|--------------------------------------|
| FS-KM | Brushcutter with mowing head |
| FS-KM | Brushcutter with grass cutting blade |
| FSB-KM | Brushcutter with mowing head |
| HL-KM 135° | Hedge trimmer, adjustable |
| HL-KM 0° | Hedge trimmer |
| FH-KM 135° | Power scythe |
| BG-KM | Blower |
| HT-KM | Pole pruner |
| BF-KM | Pick tines |
| FCB-KM | Power edger |
| FCS-KM | Power edger |
| KB-KM | Bristle brush |
| KW-KM | PowerSweep |

The barrier bar supplied with the machine must be mounted to the loop handle – see also "Mounting the Loop Handle".

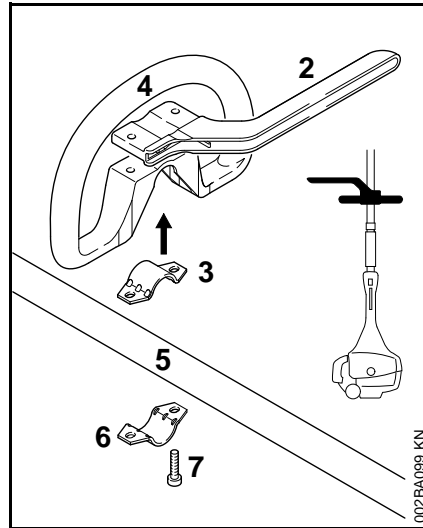
4770BPA018 KN

Mounting the Loop Handle

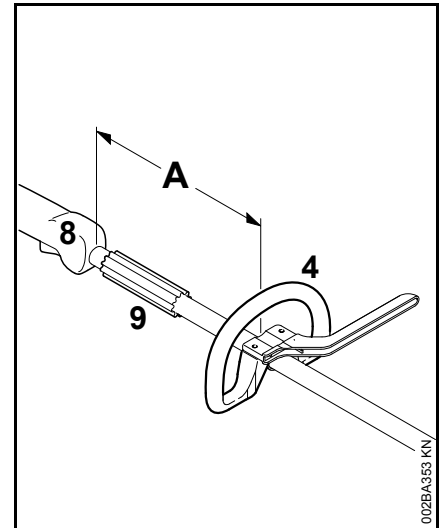
A barrier bar is supplied with the machine. Attach the barrier bar to the loop handle.



- Insert square nuts (1) in the barrier bar (2) – the holes must line up



- Insert the clamp (3) in the loop handle (4) and position them together on the shaft (5)
- Position clamp (6)
- Position barrier bar (2) – note position!
- Line up the holes
- Insert bolts (7) in the holes – and screw them into the barrier bar as far as possible



- Fit the loop handle (4) at a distance of (A) approx. 20 cm (8 in) forward of the control handle (8)
- Orient the loop handle
- Tighten the bolts – lock the nuts if necessary

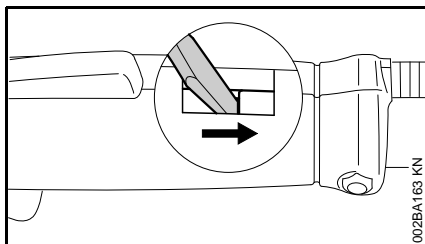
The sleeve (9) is present depending on the country and must be located between the loop handle and control handle.

Always leave the barrier bar attached.

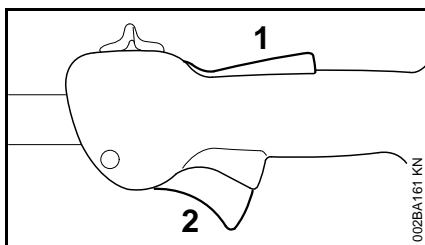
Adjusting the Throttle Cable

A properly adjusted throttle cable is the precondition for correct operation in the full throttle, starting throttle and idle positions.

- Adjust the throttle cable only when the unit is completely and properly assembled.



- Use a suitable tool to push the slide to the end of the slot (see illustration).



- Press down the throttle trigger lockout (1) and squeeze the throttle trigger (2) (full throttle) – this sets the throttle cable correctly.

4-MIX Engine

The **STIHL 4-MIX engine** features mixture lubrication and must be run on a **fuel mixture** of gasoline and engine oil.

It operates otherwise on the 4-stroke principle.

Fuel

This engine is certified to operate on unleaded gasoline and the STIHL two-stroke engine oil at a mix ratio of 50:1.

Your engine requires a mixture of high-quality gasoline and two-stroke air cooled engine oil.

Use mid-grade unleaded gasoline with a minimum octane rating of 89 (R+M/2) and no more than 10% ethanol content.

Fuel with a lower octane rating may increase engine temperatures. This, in turn, increases the risk of piston seizure and damage to the engine.

The chemical composition of the fuel is also important. Some fuel additives not only detrimentally affect elastomers (carburetor diaphragms, oil seals, fuel lines, etc.), but magnesium castings and catalytic converters as well. This could cause running problems or even damage the engine. For this reason STIHL recommends that you use only high-quality unleaded gasoline!

Gasoline with an ethanol content of more than 10% can cause running problems and major damage in engines with a manually adjustable carburetor and should not be used in such engines.

The ethanol content in gasoline affects engine running speed – it may be necessary to readjust the carburetor if you use fuels with various ethanol contents.

Warning!

To reduce the risk of personal injury from loss of control and / or contact with the running cutting tool, do not use your unit with incorrect idle adjustment. At correct idle speed, the cutting tool should not move.

If your power tool shows an incorrect idle adjustment, have your STIHL dealer check your power tool and make proper adjustments and repairs.

The idle speed and maximum speed of the engine change if you switch from a fuel with a certain ethanol content to another fuel with a much higher or lower ethanol content.

This problem can be avoided by always using fuel with the same ethanol content.

Use STIHL HP Ultra oil or ask your dealer for an equivalent high quality oil to ensure the maximum performance of the product for the full lifetime.

To meet the requirements of EPA 40CFR90/1054 we recommend to use STIHL HP Ultra oil.

Do not use BIA or TCW rated (two-stroke water cooled) mix oils or other mix oils that state they are for use in both water cooled and air cooled engines (e.g., outboard motors, snowmobiles, chain saws, mopeds, etc.).

Take care when handling gasoline. Avoid direct contact with the skin and avoid inhaling fuel vapor. When filling at the pump, first remove the container from your vehicle and place the container on the ground before filling. To reduce the risk of sparks from static

discharge and resulting fire and/or explosion, do not fill fuel containers that are sitting in or on a vehicle or trailer.

The container should be kept tightly closed in order to limit the amount of moisture that gets into the mixture.

The machine's fuel tank should be cleaned as necessary.

Fuel mix ages

Only mix sufficient fuel for a few days work, not to exceed 3 months of storage. Store in approved fuel-containers only. When mixing, pour oil into the container first, and then add gasoline. Close the container and shake it vigorously by hand to ensure proper mixing of the oil with the fuel.

Gasoline Oil (STIHL 50:1 or equivalent high-quality oils)

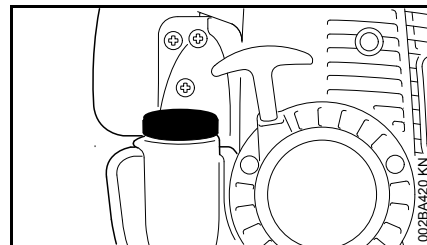
| US gal. | US fl.oz. |
|---------|-----------|
| 1 | 2.6 |
| 2 1/2 | 6.4 |
| 5 | 12.8 |

Dispose of empty mixing-oil containers only at authorized disposal locations.

Fueling



Preparations



- Before fueling, clean the filler cap and the area around it to ensure that no dirt falls into the tank.

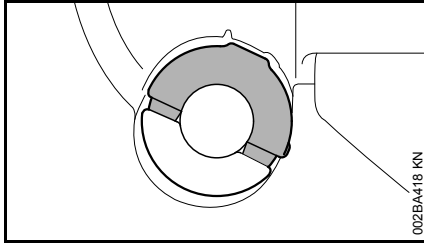
Always thoroughly shake the mixture in the canister before fueling your machine.

- Position the machine so that the filler cap is facing up.

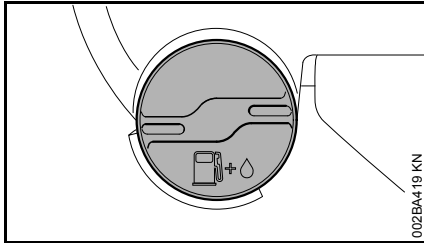


In order to reduce the risk of fire and personal injury from escaping gas vapor and fumes, remove the fuel filler cap carefully so as to allow any pressure build-up in the tank to release slowly.

One of two different filler caps is installed as standard at the factory.

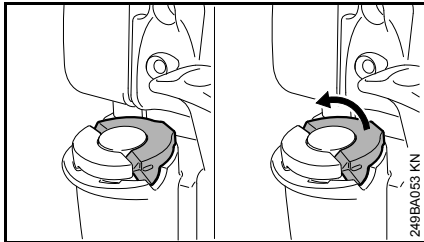


Toolless filler cap (with folding grip)

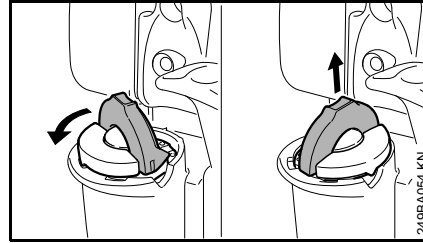


Threaded filler cap

Opening the toolless filler cap



- Swing the grip into an upright position.

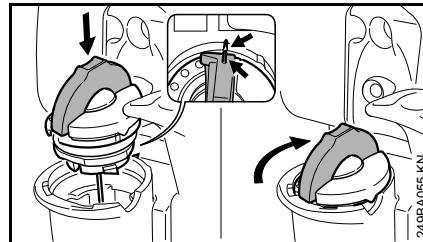


- Turn the cap counterclockwise (approx. 1/4 turn).
- Remove the filler cap.

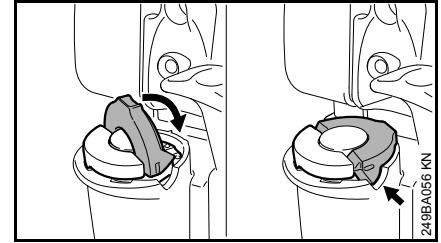
Refueling

Take care not to spill fuel while fueling, and do not overfill the tank. STIHL recommends use of the STIHL refueling system (special accessory).

Closing the toolless filler cap



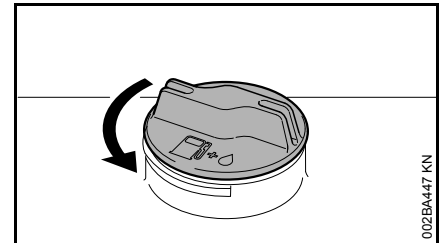
- Position the cap with the grip in an upright position; the raised positioning marks must line up.
- Turn cap clockwise as far as it will go (approx. 1/4 turn).



- Fold the grip down so that it is flush with the surface.

If the grip is not flush with the surface and the lug on the clip does not engage entirely in the recess (arrow), the cap is not properly closed and the steps described above must be repeated. See also the "Toolless cap with grip" section in the Safety Precautions.

Opening the threaded filler cap

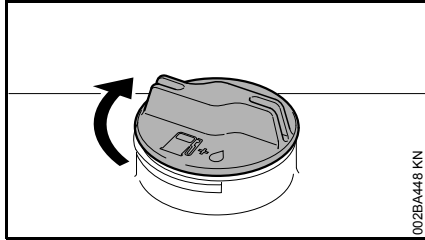


- Turn the cap counterclockwise until it can be removed from the tank opening.
- Remove the filler cap.

Refueling

Take care not to spill fuel while fueling and do not overfill the tank. STIHL recommends use of the STIHL refueling system (special accessory).

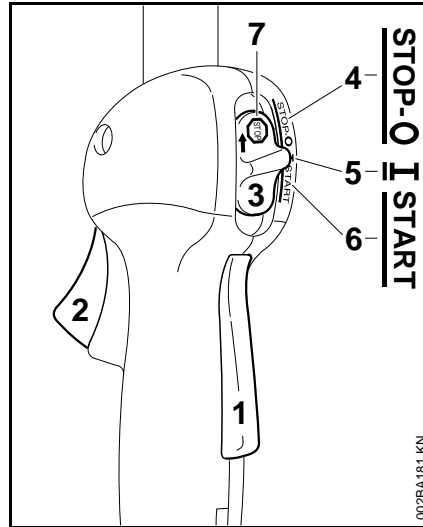
Closing the threaded filler cap



- Position cap.
- Turn the cap clockwise as far as it will go and tighten it as securely as possible by hand.

Starting / Stopping the Engine

Controls

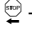



- 1 Throttle trigger lockout
- 2 Throttle trigger
- 3 Slide control

Positions of slide control

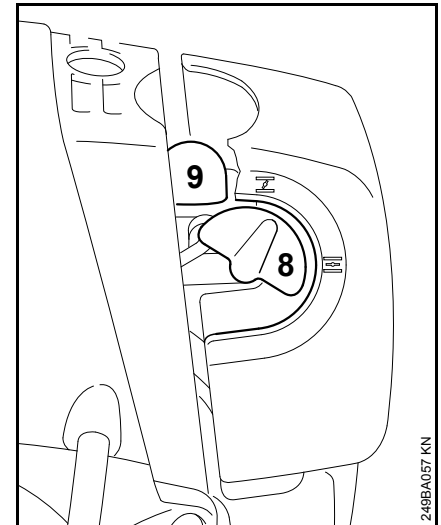
- 4 **STOP-0** – engine off – the ignition is switched off
- 5 **I** – normal run position – the engine is running or can start
- 6 **START** – the ignition is switched on – the engine can start

Symbol on slide control



- 7  – stop symbol and arrow. To stop the engine, push the slide control in the direction of the arrow on the stop symbol () to **STOP-0**.

Starting

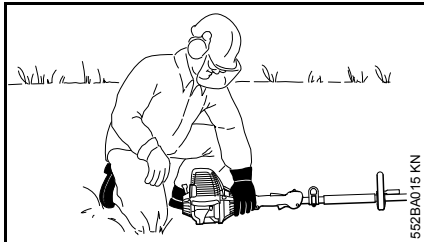
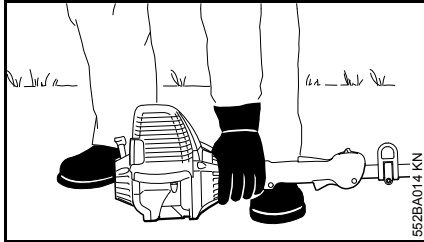
- Press down the trigger lockout lever and squeeze the throttle trigger.
- and hold them in that position.
- Move the slide control to **START** and hold it there.
- Now release the throttle trigger, slide control and trigger lockout in that order. This is the **starting throttle position**.



- Set the choke knob (8)

-  if the engine is cold
-  for warm start – also use this position if the engine has been running but is still cold.
- Press the fuel pump bulb (9) at least five times – even if the bulb is filled with fuel.

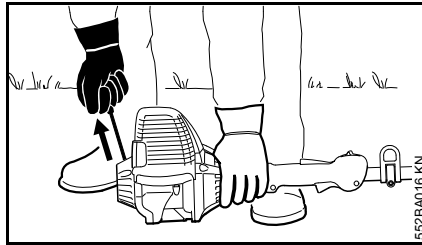
Starting



- Place the power tool on the ground so that it rests on the machine support: Check that the working tool is not touching the ground or any other obstacles – see also "Starting / Stopping the Engine" in the KombiTool instruction manual.
- Make sure you have a safe and secure footing.
- Hold the unit with your left hand and press it down **firmly** – your thumb should be under the fan housing.




Do not stand or kneel on the drive tube.



- Hold the starter grip with your right hand.
- Pull the starter grip slowly until you feel it engage and then give it a brisk strong pull.



Do not pull out the starter rope all the way – **it might otherwise break.**

- Do not let the starter grip snap back. Guide it slowly back into the housing so that the starter rope can rewind properly.
- Crank the engine until it begins to fire. After no more than **five attempts**, turn the choke knob to .
- Continue cranking.

As soon as the engine runs


- Blip the throttle trigger. The slide control moves to the normal run position **I** – and the engine settles down to idle speed.



Make sure the carburetor is correctly adjusted. The working tool must not rotate when the engine is idling.

Your machine is now ready for operation.

Stopping the engine

- Push the slide control in the direction of the arrow on the stop symbol () to **STOP-0**.


At very low outside temperatures:


As soon as the engine runs:

- Blip the throttle trigger to disengage the **starting throttle position**. The slide control moves to the normal run position (**I**) – and the engine settles down to idle speed.
- Open the throttle slightly.
- Warm up the engine for a short period.

If the engine does not start

Choke knob

If you did not turn the choke knob to  quickly enough after the engine began to fire, the combustion chamber is flooded.

- Turn the choke knob to .
- Set the slide control, lockout lever and throttle trigger to the **starting throttle position**.
- Start the engine by pulling the starter rope briskly – 10 to 20 pulls may be necessary.

If the engine still does not start

- Move the slide control to **STOP-0**.
- Remove the spark plug – see "Spark Plug".
- Dry the spark plug.
- Crank the engine several times with the starter to clear the combustion chamber.
- Refit the spark plug – see "Spark Plug".
- Move the slide control to **START**.
- Set the choke knob to $\overline{\text{I}}$ – even if the engine is cold.
- Now start the engine.

Throttle cable adjustment

- Check adjustment of throttle cable – see chapter on "Adjusting the Throttle Cable".

Fuel tank run until completely dry

- After refueling, press the fuel pump bulb at least five times – even if the bulb is filled with fuel.
- Set the choke knob according to engine temperature.
- Start the engine.

Operating Instructions

During break-in period

A factory-new machine should not be run at high revs (full throttle off load) for the first three tank fillings. This avoids unnecessary high loads during the break-in period. As all moving parts have to bed in during the break-in period, the frictional resistances in the engine are greater during this period. The engine develops its maximum power after about 5 to 15 tank fillings.

During Operation

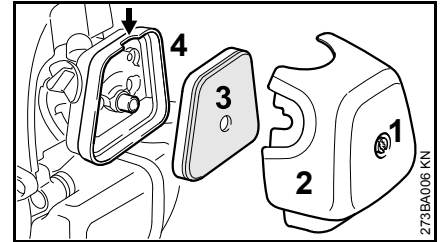
After a long period of full throttle operation, allow the engine to run for a short while at idle speed so that engine heat can be dissipated by the flow of cooling air. This protects engine-mounted components (ignition, carburetor) from thermal overload.

After Finishing Work

Storing for a short period: Wait for the engine to cool down. Empty the fuel tank and keep the machine in a dry place, well away from sources of ignition, until you need it again. For longer out-of-service periods – see "Storing the Machine".

Cleaning the Air Filter

If there is a noticeable loss of engine power



- Turn the choke knob to $\overline{\text{I}}$
- Take out the screw (1) and remove the filter cover (2).
- Clean away loose dirt from around the filter.
- Grip the filter element (3) at the cutout (arrow) in the filter housing (4) and remove it.
- Fit a new filter element. As a temporary measure you can knock it out on the palm of your hand or blow it out with compressed air. Do not wash.
- Replace damaged parts.

Installing the filter

- Install the filter element in the filter housing and fit the cover.
- Insert the screw and tighten it down firmly.

Engine Management

Exhaust emissions are controlled by the design of the fundamental engine parameters and components (e.g. carburation, ignition, timing and valve or port timing) without the addition of any major hardware.

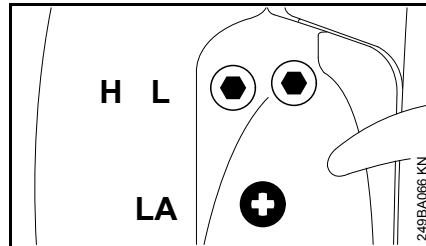
Adjusting the Carburetor

The carburetor comes from the factory with a standard setting.

This setting provides an optimum fuel-air mixture under most operating conditions.

These power tools are equipped with different carburetors:

Version A



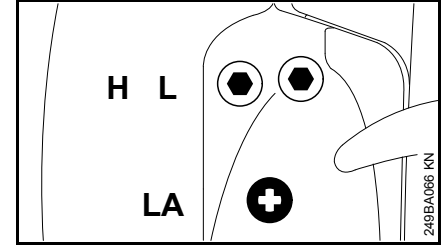
- High speed screw and low speed screw with special head – without slotted head.

On these machine versions it is no longer necessary to adjust the carburetor.

These machines have been set at the factory to provide an optimum fuel-air mixture in all locations and operating conditions.

Adjusting Idle Speed

Engine stops while idling



- Warm up the engine for about 3 minutes.
- Turn the idle speed screw (LA) slowly clockwise until the engine runs smoothly – the cutting attachment must not move.

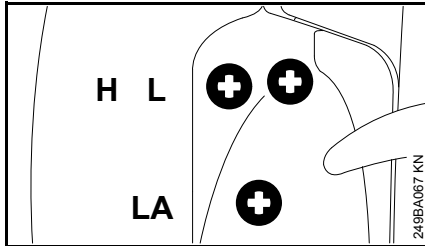
Cutting attachment runs when engine is idling

- Turn the idle speed screw (LA) counterclockwise until the cutting attachment stops running and then turn the screw about another 1/2 to 3/4 turn in the same direction.



If the working tool or cutting attachment continues to run when the engine is idling, have your machine checked and repaired by your servicing dealer.

Version B

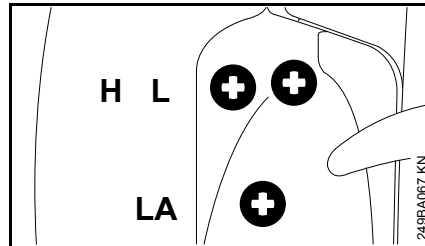


- High speed screw and low speed screw with slotted head.

With this carburetor it is only possible to adjust the high speed and low speed screws within fine limits.

Standard Setting

- Stopping the Engine
- Mount the KombiTool complete with working tool or cutting attachment.
- Check the air filter and clean or replace as necessary.
- Check that the throttle cable is properly adjusted – readjust if necessary – see chapter on "Adjusting the Throttle Cable".
- Check the spark arresting screen (not in all versions) and clean or replace as necessary.



- Carefully turn both adjusting screws counterclockwise as far as stop:
- The high speed screw (H) is 3/4 turn open.
- The low speed screw (L) is 3/4 turn open.
- Start and warm up the engine.
- Adjust idle speed with the idle speed screw (LA) so that the cutting attachment does not move.

Adjusting Idle Speed

It is usually necessary to change the setting of the idle speed screw (LA) after every correction to the low speed screw (L).

- Warm up the engine for about 3 minutes.

Engine stops while idling

- Turn the idle speed screw (LA) slowly clockwise until the engine runs smoothly – the cutting attachment must not move.

Cutting attachment runs when engine is idling

- Turn the idle speed screw (LA) counterclockwise until the cutting attachment stops running and then turn the screw about another 1/2 to 3/4 turn in the same direction.



If the working tool or cutting attachment continues to run when the engine is idling, have your machine checked and repaired by your servicing dealer.

Erratic idling behavior, engine stops even though setting of LA-screw has been corrected, poor acceleration

Idle setting is too lean:

- Turn the low speed screw (L) counterclockwise, no further than stop, until the engine runs and accelerates smoothly.

Erratic idling behavior

Idle setting is too rich

- Turn the low speed screw (L) clockwise, no further than stop, until the engine runs and accelerates smoothly.

Version B: Fine Tuning

A slight correction of the setting of the high speed screw (H) may be necessary if engine power is not satisfactory when operating at high altitude, sea level or after changing the working tool.

Rule of thumb:

Turn the high speed screw (H) about one quarter turn for every 1000m (3300 ft) change in altitude.

Conditions for adjustment

- Carry out the standard setting without disturbing the high speed screw (H).
- Warm up the engine for about 3 minutes.
- Open the throttle wide.

At high altitude

- Turn the high speed screw (H) clockwise (leaner), no further than stop, until there is no further noticeable increase in engine speed.

At sea level

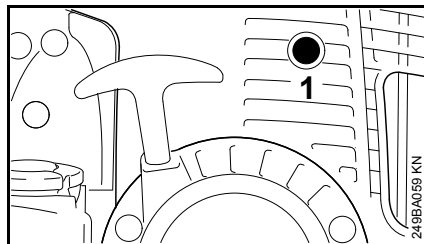
- Turn the high speed screw (H) counterclockwise (richer), no further than stop, until there is no noticeable increase in engine speed.

It is possible that maximum engine speed may be reached with the standard setting.

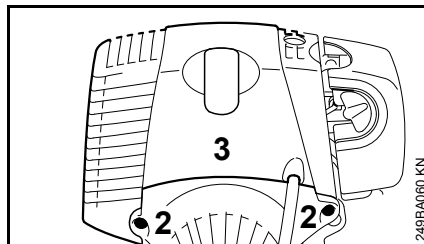
Spark Arresting Screen in Muffler

In some countries the muffler is equipped with a spark arresting screen.

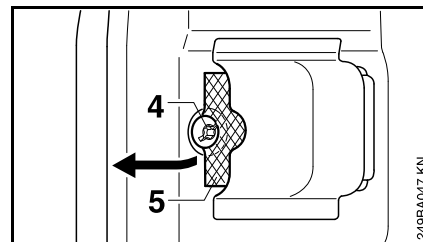
- If the engine is down on power, check the spark arresting screen in the muffler.
- Wait for the muffler to cool down.
- Move the slide control to **STOP-0**.



- Take out the screw (1).



- Take out the screws (2) and remove the shroud (3).



- Take out the screw (4).
- Lift the spark arresting screen (5) and pull it out.
- Clean the spark arresting screen. If the screen is damaged or heavily carbonized, fit a new one.
- Refit the spark arresting screen.
- Insert the screw and tighten it down firmly.
- Fit the shroud.

Spark Plug

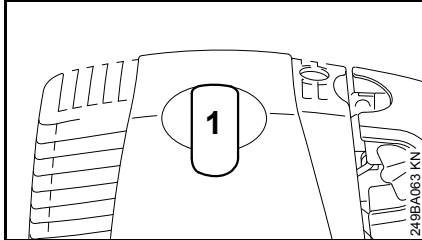
If engine is down on power, difficult to start or runs poorly at idling speed, first check the spark plug.

Fit a new spark plug after approx. 100 operating hours or earlier if the electrodes are badly eroded.

Wrong fuel mix (too much engine oil in the gasoline), a dirty air filter and unfavorable running conditions (mostly at part throttle etc.) affect the condition of the spark plug. These factors cause deposits to form on the insulator nose which may result in trouble in operation.

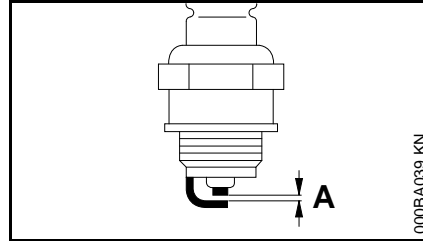
Removing the spark plug

- Move the slide control to **STOP-0**.



- Pull off the spark plug boot (1).
- Unscrew the spark plug.

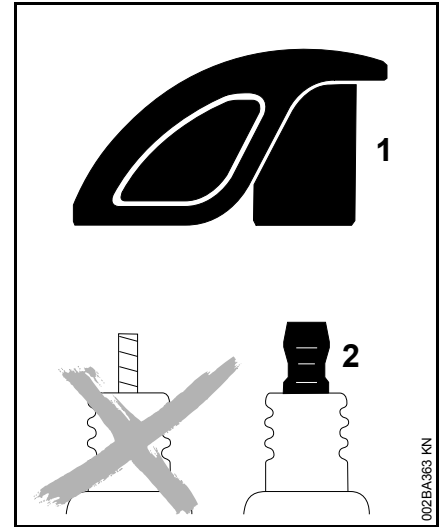
Checking the Spark Plug



- Clean dirty spark plug.
- Check electrode gap (A) and readjust if necessary – see "Specifications".
- Use only resistor type spark plugs of the approved range.

Rectify problems which have caused fouling of spark plug:

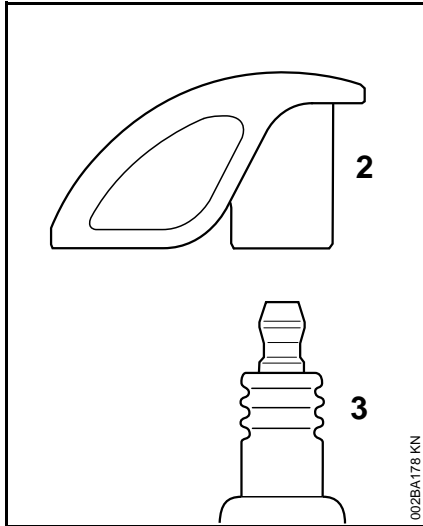
- Too much oil in fuel mix.
- Dirty air filter.
- Unfavorable running conditions, e.g. operating at part load.



Warning!

To reduce the risk of fire and burn injury, use only spark plugs authorized by STIHL. Always press spark plug boot (1) snugly onto spark plug terminal (2) of the proper size. (Note: If terminal has detachable SAE adapter nut, it must be attached.) A loose connection between spark plug boot and ignition wire connector in the boot may create arcing that could ignite combustible fumes and cause a fire.

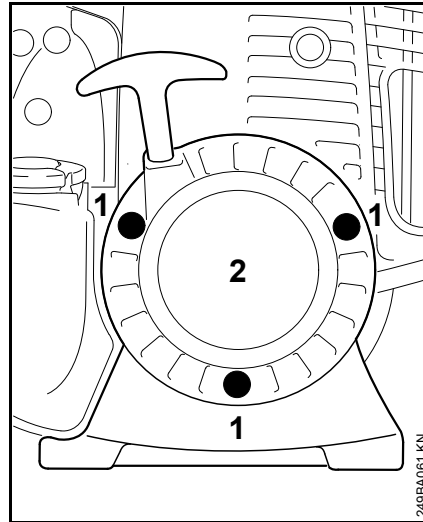
Installing the spark plug




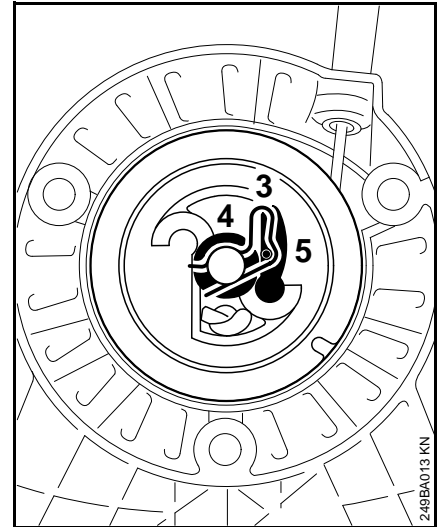
- Screw the spark plug (3) into the cylinder and fit the boot (2) (press it down firmly).

Replacing the Starter Rope and Rewind Spring

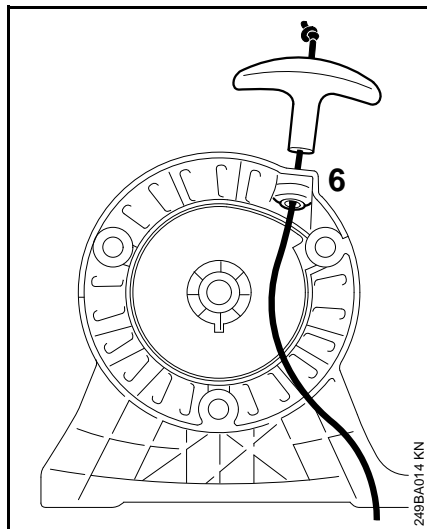
Replacing the Starter Rope



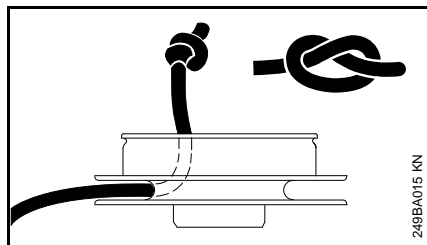
- Push the slide control in direction of arrow  – to **STOP-0**.
- Take out the screws (1).
- Remove the starter cover (2) from the housing.



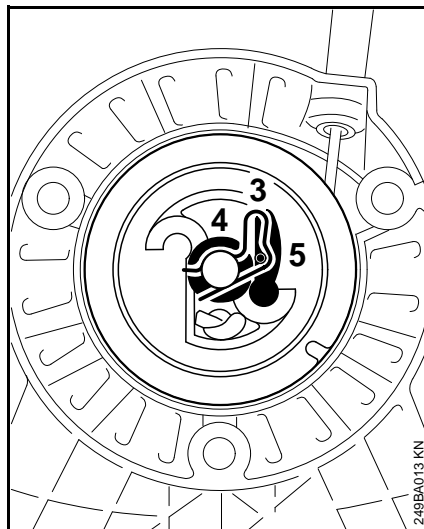
- Ease the spring clip (3) off the starter post.
- Remove the rope rotor with washer (4) and pawl (5).
- Remove the remaining rope from the rotor and starter grip.



- Tie a simple overhand knot in the new rope and then thread it through the top of the grip and the rope bushing (6).



- Thread the rope through the rotor and secure it with a simple overhand knot.
- Coat the rope rotor bearing bore with non-resinous oil.
- Slip the rotor over the starter post – turn it back and forth to engage the anchor loop of the rewind spring.



- Refit the pawl (5) in the rotor.
- Fit the washer (4) on the starter post.
- Use a screwdriver or suitable pliers to fit the spring clip (3) on the starter post and over the pawl's peg – the spring clip must point counterclockwise – as shown in the illustration.
- Go to "Tensioning the Rewind Spring".

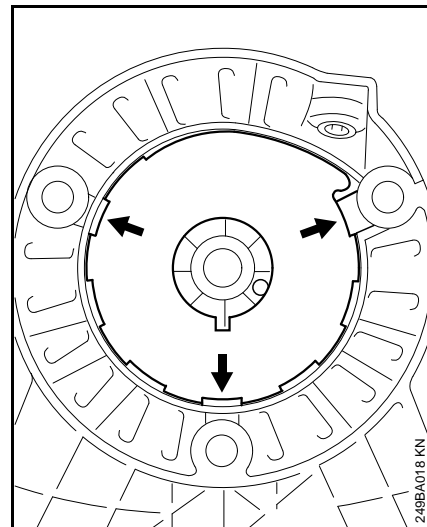
Replacing a broken rewind spring

- Remove the rope rotor as described in chapter on "Replacing the starter rope".



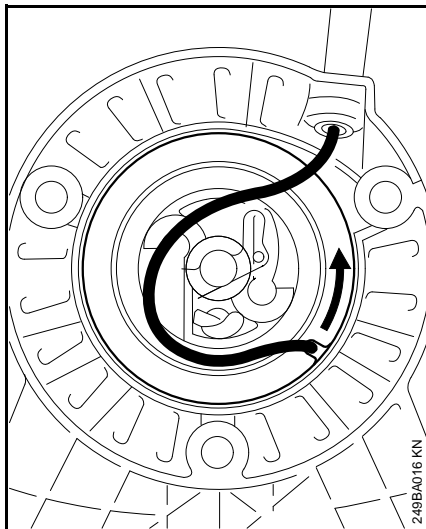
The bits of spring may still be under tension and could fly apart when you take them out of the housing. To reduce the risk of injury, wear face protection and work gloves.

- Remove the spring housing and pieces of spring.
- Lubricate the new spring with a few drops of non-resinous oil.



- Position the new spring housing, bottom plate facing up, against the cutouts (arrows).
- Push the spring housing into the starter cover.
- Reinstall the rope rotor – then go to "Tensioning the Rewind Spring".
- If the spring pops out of the spring housing and uncoils: Refit it counterclockwise, starting outside and working inwards.

Tensioning the rewind spring



- Make a loop in the unwound starter rope and use it to turn the rope rotor six full revolutions in the direction of the arrow.
- Hold the rotor steady. Pull out and straighten the twisted rope.
- Let go of the rotor.
- Release the rope slowly so that it winds onto the rotor. The starter grip must locate firmly in the rope bushing. If the grip droops to one side: Add one more turn on the rope rotor to increase spring tension.
- When the starter rope is fully extended it must still be possible to rotate the rotor another half turn. If this is not the case, the spring is overtensioned and could break. Take one turn of the rope off the rotor.

- Fit the starter cover on the housing.
- Tighten down the screws firmly.

Storing the Machine

For periods of 3 months or longer

- Drain and clean the fuel tank in a well ventilated area.
- Dispose of fuel properly in accordance with local environmental requirements.
- Run the engine until the carburetor is dry – this helps prevent the carburetor diaphragms sticking together.
- Thoroughly clean the machine – pay special attention to the cylinder fins and air filter.
- Remove, clean and inspect the working tool.
- Store the machine in a dry, high or locked location, out of the reach of children and other unauthorized persons.

Maintenance and Care

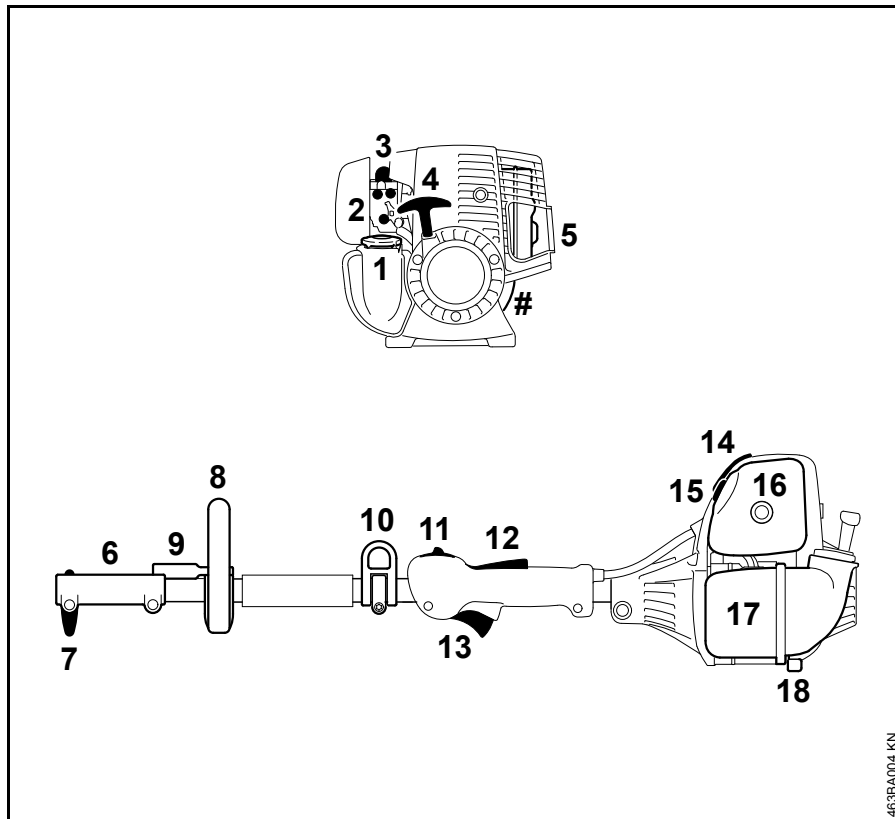
| The following intervals apply to normal operating conditions only. If your daily working time is longer or operating conditions are difficult (very dusty work area, etc.), shorten the specified intervals accordingly. | | before starting work | after finishing work or daily | after each refueling stop | weekly | monthly | every 12 months | if problem | if damaged | if required |
|--|---|----------------------|-------------------------------|---------------------------|--------|---------|-----------------|------------|------------|-------------|
| | | | | | | | | | | |
| Complete machine | Visual inspection (condition, leaks) | X | | X | | | | | | |
| | Clean | | X | | | | | | | |
| Control handle | Check operation | X | | X | | | | | | |
| Air filter | Clean | | | | | | | X | | X |
| | Replace | | | | | | | | X | |
| Pickup body in fuel tank | Have checked by dealer ¹⁾ | | | | | | | X | | |
| | Have replaced by dealer ¹⁾ | | | | | | X | | X | X |
| Fuel tank | Clean | | | | | | | X | | X |
| Carburetor | Check idle adjustment – the working tool must not move | X | | X | | | | | | |
| | Adjusting Idle Speed | | | | | | | | | X |
| Spark plug | Readjust electrode gap | | | | | | | X | | |
| | Replace after every 100 operating hours | | | | | | | | | |
| Cooling inlets | Visual inspection | | X | | | | | | | |
| | Clean | | | | | | | | | X |
| Valve clearance ¹⁾ | Check and, if necessary, have adjusted by dealer after first 139 hours of operation | | | | | | | | | X |
| Combustion chamber ^{1) 2)} | Decoke after first 139 hours of operation, then every 150 hours of operation | | | | | | | | | X |
| Spark arresting screen in muffler | Check | | X | | | | | X | | |
| | Clean or replace | | | | | | | | X | X |

| The following intervals apply to normal operating conditions only. If your daily working time is longer or operating conditions are difficult (very dusty work area, etc.), shorten the specified intervals accordingly. | | before starting work | after finishing work or daily | after each refueling stop | weekly | monthly | every 12 months | if problem | if damaged | if required |
|--|---------------------------------------|----------------------|-------------------------------|---------------------------|--------|---------|-----------------|------------|------------|-------------|
| | | | | | | | | | | |
| All accessible screws and nuts (not adjusting screws) | Retighten | | | | | | | | | X |
| Antivibration elements | Check | X | | | | | | X | | X |
| | Have replaced by dealer ¹⁾ | | | | | | | | X | |
| Safety labels | Replace | | | | | | | | X | |

¹⁾ STIHL recommends a STIHL servicing dealer.

²⁾ CARB licensed engines only

Main Parts



- 1 Fuel Filler Cap
- 2 Carburetor Adjusting Screws
- 3 Fuel Pump
- 4 Starter Grip
- 5 Muffler with Spark Arresting Screen
- 6 Coupling Sleeve
- 7 Wing Screw
- 8 Loop Handle
- 9 Barrier Bar
- 10 Carrying Ring
- 11 Slide Control
- 12 Throttle Trigger Lockout
- 13 Throttle Trigger
- 14 Spark Plug Boot
- 15 Choke Knob
- 16 Air Filter Cover
- 17 Fuel Tank
- 18 Machine Support
- # Serial Number

463BA004 KN

Definitions

- 1 Fuel Filler Cap**
For closing the fuel tank.
- 2 Carburetor Adjusting Screws**
For tuning the carburetor.
- 3 Fuel Pump**
Provides additional fuel feed for a cold start.
- 4 Starter Grip**
The grip of the pull starter, for starting the engine.
- 5 Muffler with Spark Arresting Screen**
Muffler reduces exhaust noises and diverts exhaust gases away from operator.
Spark arresting screen is designed to reduce the risk of fire.
- 6 Coupling Sleeve**
Connects drive tube to lower part of drive tube (stub shaft).
- 7 Wing Screw**
Secures lower part of the drive tube (stub shaft).
- 8 Loop Handle**
For easy control of machine during cutting work.
- 9 Barrier Bar**
Helps keep user's feet and legs clear of the cutting attachment.
- 10 Carrying Ring**
Connects the unit to the harness.
- 11 Slide Control**
For starting throttle, run and stop.
Keeps the choke partially open during starting and switches off the ignition to stop the engine.
- 12 Throttle Trigger Lockout**
Must be depressed before the throttle trigger can be activated.
- 13 Throttle Trigger**
Controls the speed of the engine.
- 14 Spark Plug Boot**
Connects the spark plug with the ignition lead.
- 15 Choke Knob**
Eases engine starting by enriching mixture.
- 16 Air Filter Cover**
Covers and protects the air filter element.
- 17 Fuel Tank**
For fuel and oil mixture.
- 18 Machine Support**
For resting machine on the ground.

Specifications

EPA / CEPA

The Emission Compliance Period referred to on the Emissions Compliance Label indicates the number of operating hours for which the engine has been shown to meet Federal emission requirements.

Category

A = 300 hours

B = 125 hours

C = 50 hours

CARB

The Emission Compliance Period used on the CARB-Air Index Label indicates the terms:

Extended = 300 hours

Intermediate = 125 hours

Moderate = 50 hours

Engine

Single cylinder four-stroke engine with mixture lubrication

KM 110 R

| | |
|------------------------------|---|
| Displacement: | 1.92 cu. in. (31.4 cm ³) |
| Bore: | 1.57 in. (40 mm) |
| Stroke: | 0.98 in. (25 mm) |
| Engine power to ISO 8893: | 1.40 HP (1.05 kW) at 7,000 rpm |
| Idle speed: | 2,800 rpm |
| Cut-off speed (rated): | 10,500 rpm |

KM 130 R

| | |
|------------------------------|---|
| Displacement: | 2.22 cu. in. (36.3 cm ³) |
| Bore: | 1.69 in (43 mm) |
| Stroke: | 0.98 in. (25 mm) |
| Engine power to ISO 8893: | 1.90 hp (1.4 kW) at 8,500 rpm |
| Idle speed: | 2,800 rpm |
| Cut-off speed (rated): | 10,500 rpm |

Ignition System

Electronic magneto ignition

KM 110 R

| | |
|--------------------------------|-------------------|
| Spark plug (resistor type): | Bosch USR 7AC |
| Electrode gap: | 0.02 in. (0.5 mm) |

KM 130 R

| | |
|--------------------------------|-------------------|
| Spark plug (resistor type): | NKG CMR 6H |
| Electrode gap: | 0.02 in. (0.5 mm) |

Fuel System

All position diaphragm carburetor with
integral fuel pump

| | |
|---------------------|------------------------|
| Fuel tank capacity: | 17.9 fl.oz (0.53 L) |
|---------------------|------------------------|

Weight

dry, without KombiTool

| | |
|-----------|----------------------|
| KM 110 R: | 9.9 lbs (4.5 kg) |
| KM 130 R: | 10.1 lbs (4.6 kg) |


Special Accessories

Contact your STIHL dealer for
information regarding special
accessories that may be available for
your product.

Maintenance and Repairs

Users of this unit should carry out only the maintenance operations described in this manual. Other repair work may be performed only by authorized STIHL service shops.

Warranty claims following repairs can be accepted only if the repair has been performed by an authorized STIHL servicing dealer using original STIHL replacement parts.

Original STIHL parts can be identified by the STIHL part number, the **STIHL** logo and, in some cases, by the STIHL parts symbol . The symbol may appear alone on small parts.

STIHL Incorporated Federal Emission Control Warranty Statement

Not for California

Your Warranty Rights and Obligations

The U.S. Environmental Protection Agency (EPA) and STIHL Incorporated are pleased to explain the Emission Control System Warranty on your equipment type engine. In the U.S. new 1997 and later model year small off-road equipment engines must be designed, built and equipped, at the time of sale, to meet the U.S. EPA regulations for small non road engines. The equipment engine must be free from defects in materials and workmanship which cause it to fail to conform with U.S. EPA standards for the first two years of engine use from the date of sale to the ultimate purchaser.

STIHL Incorporated must warrant the emission control system on your small off-road engine for the period of time listed below provided there has been no abuse, neglect or improper maintenance of your small off-road equipment engine.

Your emission control system includes parts such as the carburetor and the ignition system. Also included may be hoses, and connectors and other emission-related assemblies.

Where a warrantable condition exists, STIHL Incorporated will repair your small off-road equipment engine at no cost to you, including diagnosis (if the diagnostic work is performed at an authorized dealer), parts, and labor.

Manufacturer's Warranty Coverage

In the U.S., 1997 and later model year small off-road equipment engines are warranted for two years. If any emission-related part on your engine is defective, the part will be repaired or replaced by STIHL Incorporated free of charge.

Owner's Warranty Responsibilities

As the small off-road equipment engine owner, you are responsible for the performance of the required maintenance listed in your instruction manual. STIHL Incorporated recommends that you retain all receipts covering maintenance on your small off-road equipment engine, but STIHL Incorporated cannot deny warranty solely for the lack of receipts or for your failure to ensure the performance of all scheduled maintenance.

Any replacement part or service that is equivalent in performance and durability may be used in non-warranty maintenance or repairs, and shall not reduce the warranty obligations of the engine manufacturer.

As the small off-road equipment engine owner, you should be aware, however, that STIHL Incorporated may deny you warranty coverage if your small off-road equipment engine or a part has failed due to abuse, neglect, improper maintenance or unapproved modifications.

You are responsible for presenting your small off-road equipment engine to a STIHL service center as soon as a problem exists. The warranty repairs will be completed in a reasonable amount of time, not to exceed 30 days.

If you have any questions regarding your warranty rights and responsibilities, please contact a STIHL customer service representative at 1-800-467-8445 or you can write to

STIHL Inc.,
536 Viking Drive, P.O. Box 2015,
Virginia Beach, VA 23450-2015
www.stihlusa.com

Coverage by STIHL Incorporated

STIHL Incorporated warrants to the ultimate purchaser and each subsequent purchaser that your small off-road equipment engine will be designed, built and equipped, at the time of sale, to meet all applicable regulations. STIHL Incorporated also warrants to the initial purchaser and each subsequent purchaser that your engine is free from defects in materials and workmanship which cause the engine to fail to conform with applicable regulations for a period of two years.

Warranty Period

The warranty period will begin on the date the utility equipment engine is purchased by the initial purchaser and you have signed and sent back the warranty card to STIHL.

If any emission-related part on your engine is defective, the part will be replaced by STIHL Incorporated at no cost to the owner. Any warranted part which is not scheduled for replacement as required maintenance, or which is scheduled only for regular inspection to the effect of "repair or replace as necessary" will be warranted for the warranty period. Any warranted part which is scheduled for replacement as

required maintenance will be warranted for the period of time up to the first scheduled replacement point for that part.

Diagnosis

You, as the owner, shall not be charged for diagnostic labor which leads to the determination that a warranted part is defective. However, if you claim warranty for a component and the machine is tested as non-defective, STIHL Incorporated will charge you for the cost of the emission test. Mechanical diagnostic work will be performed at an authorized STIHL servicing dealer. Emission test may be performed either at STIHL Incorporated or at any independent test laboratory.

Warranty Work

STIHL Incorporated shall remedy warranty defects at any authorized STIHL servicing dealer or warranty station. Any such work shall be free of charge to the owner if it is determined that a warranted part is defective.

Any manufacturer-approved or equivalent replacement part may be used for any warranty maintenance or repairs on emission-related parts and must be provided without charge to the owner. STIHL Incorporated is liable for damages to other engine components caused by the failure of a warranted part still under warranty.

The following list specifically defines the emission-related warranted parts:

- Air Filter
- Carburetor
- Fuel Pump

- Choke (Cold Start Enrichment System)
- Control Linkages
- Intake Manifold
- Magneto or Electronic Ignition System (Ignition Module)
- Spark Plug
- Catalytic Converter (if applicable)
- Fuel Tank
- Fuel Cap
- Fuel Line
- Fuel Line Fittings
- Clamps
- Fasteners

Where to make a Claim for Warranty Service

Bring the product to any authorized STIHL servicing dealer and present the signed warranty card.

Maintenance Requirements

The maintenance instructions in this manual are based on the application of the recommended 2-stroke fuel-oil mixture (see also instruction "Fuel"). Deviations from this recommendation regarding quality and mixing ratio of fuel and oil may require shorter maintenance intervals.

Limitations

This Emission Control Systems Warranty shall not cover any of the following:

- repair or replacement required because of misuse, neglect or lack of required maintenance,
 - repairs improperly performed or replacements not conforming to STIHL Incorporated specifications that adversely affect performance and/or durability, and alterations or modifications not recommended or approved in writing by STIHL Incorporated,
- and
- replacement of parts and other services and adjustments necessary for required maintenance at and after the first scheduled replacement point.

STIHL Incorporated California Exhaust and Evaporative Emissions Control Warranty Statement

For California only

Your Warranty Rights and Obligations

The California Air Resources Board (CARB) and STIHL Incorporated are pleased to explain the Emission Control System Warranty on your 2007 and later small off-road equipment engine.

In California, new equipment that uses small off-road engines must be designed, built, and equipped to meet the State's stringent anti-smog standards. STIHL Incorporated must warrant the emissions control system on your small off-road engine for the period listed below provided there has been no abuse, neglect or improper maintenance of your small off-road engine.

Your emissions control system may include parts such as:

Air Filter, Carburetor, Fuel Pump, Choke (Cold Start Enrichment System), Control Linkages, Intake Manifold, Magneto or Electronic Ignition System (Ignition Module), Spark Plug, Catalytic Converter (if applicable), Fuel Tank, Fuel Cap, Fuel Line, Fuel Line Fittings, Clamps, Fasteners.

Where a warrantable condition exists, STIHL Incorporated will repair your small off-road equipment engine at no cost to you including diagnosis, parts and labor.

Manufacturer's Warranty Responsibilities

This emissions control system is warranted for two years in California. If any emissions-related part on your equipment is defective, the part will be repaired or replaced by STIHL Incorporated free of charge.

Owner's Warranty Responsibilities

As the small off-road equipment engine owner, you are responsible for performance of the required maintenance listed in your instruction manual. STIHL Incorporated recommends that you retain all receipts covering maintenance on your small off-road equipment engine, but STIHL Incorporated cannot deny warranty solely for the lack of receipts or your failure to ensure the performance of all scheduled maintenance.

As the small off-road equipment engine owner, you should however be aware that STIHL Incorporated may deny you warranty coverage if your small off-road equipment engine or a part has failed due to abuse, neglect, or improper maintenance or unapproved modifications.

You are responsible for presenting your small off-road equipment engine to a STIHL servicing dealer as soon as the problem exists. The warranty repairs should be completed in a reasonable amount of time, not to exceed 30 days. If you have any questions regarding your warranty rights and responsibilities, please contact a STIHL customer service representative at 1-800-467-8445 or you can write to

STIHL Inc., 536 Viking Drive,
P.O. Box 2015,
Virginia Beach, VA 23450-2015.

Coverage by STIHL Incorporated

STIHL Incorporated warrants to the ultimate purchaser and each subsequent purchaser that your small off-road equipment engine is designed, built and equipped, at the time of sale, to meet all applicable emission regulations.

STIHL Incorporated also warrants to the initial purchaser and each subsequent purchaser that your engine is free from defects in materials and workmanship which cause the engine to fail to conform to applicable emission regulations for a period of two years.

Defects Warranty Period

The warranty periods will begin on the date the utility equipment engine is purchased by the initial purchaser. If any emission-related part on your engine is defective, the part will be replaced by STIHL Incorporated at no cost to the owner.

Add-on or modified parts that are not exempted by CARB may not be used. The use of any non exempted add-on or modified parts will be grounds for disallowing a warranty claim. STIHL Incorporated will not be liable to warrant failures of warranted parts caused by the use of a non exempted add-on or modified part.

The warranty on emissions-related parts will be interpreted as follows:

1. Any warranted part that is not scheduled for replacement as required maintenance in the written instructions required in the Emission Warranty Parts List (see below) must be warranted for the warranty period defined in Subsection COVERAGE BY STIHL INCORPORATED, see above. If any such part fails during the period of warranty coverage, it must be repaired or replaced by the manufacturer according to Subsection (4) below. Any such part repaired or replaced under the warranty must be warranted for the remaining warranty period.
2. Any warranted part that is scheduled only for regular inspection in the written instructions required by the Emission Warranty Parts List (see below) must be warranted for the warranty period defined in Subsection COVERAGE BY STIHL INCORPORATED, see above. A statement in such written instructions to the effect of "repair or replace as necessary" will not reduce the period of warranty coverage. Any such part repaired or replaced under warranty must be warranted for the remaining warranty period.
3. Any warranted part that is scheduled for replacement as required maintenance in the written instructions required by the Emission Warranty Parts List (see below) must be warranted for the period of time prior to the first scheduled replacement point for

that part. If the part fails prior to the first scheduled replacement, the part must be repaired or replaced by the engine manufacturer according to Subsection (4) below. Any such part repaired or replaced under warranty must be warranted for the remainder of the period prior to the first scheduled replacement point for the part.

4. Repair or replacement of any warranted part under the warranty must be performed at a warranty station at no charge to the owner.
5. Notwithstanding the provisions of Subsection (4) above, warranty services or repairs will be provided at all manufacturer distribution centers that are authorized to service the subject engines.
6. The owner must not be charged for diagnostic labor that leads to the determination that a warranted part is in fact defective, provided that such diagnostic work is performed at a warranty station.

Warranty Work

STIHL Incorporated shall remedy warranty defects at any authorized STIHL servicing dealer or warranty station. Any such work shall be free of charge to the owner if it is determined that a warranted part is defective. Any manufacturer approved or equivalent replacement part may be used for any warranty maintenance or repairs on emission-related parts and must be provided without charge to the owner. STIHL Incorporated is liable for

damages to other engine components caused by the failure of a warranted part still under warranty.

Emission Warranty Parts List

Air Filter, Carburetor, Fuel Pump, Choke (Cold Start Enrichment System), Control Linkages, Intake Manifold, Magneto or Electronic Ignition System (Ignition Module), Spark Plug, Catalytic Converter (if applicable), Fuel Tank, Fuel Cap, Fuel Line, Fuel Line Fittings, Clamps, Fasteners

Where to make a Claim for Warranty Service

Bring the STIHL product to any authorized STIHL servicing dealer and present the signed STIHL product registration card, or the print-out of the electronic product registration.

Limitations

The repair or replacement of any warranted part otherwise eligible for warranty coverage may be excluded from such warranty coverage if STIHL Incorporated demonstrates that the STIHL product has been abused, neglected, or improperly maintained, and that such abuse, neglect, or improper maintenance was the direct cause of the need for repair or replacement of the part. That notwithstanding, any adjustment of a component that has a factory installed, and properly operating, adjustment limiting device is still eligible for warranty coverage.

Trademarks

STIHL Registered Trademarks

STIHL®

STIHL®



The color combination orange-grey (U.S. Registrations #2,821,860; #3,010,057, #3,010,058, #3,400,477; and #3,400,476)



4-MIX®

AUTOCUT®

EASYSTART®

FARM BOSS®

iCademy®

MAGNUM®

MasterWrench Service®

MotoMix®

OIOMATIC®

STIHL Cutquik®

STIHL DUROMATIC®

STIHL Quickstop®

STIHL ROLLOMATIC®

STIHL WOOD BOSS®

TIMBERSPORTS®

WOOD BOSS®

YARD BOSS®

Some of STIHL's Common Law Trademarks



BioPlus™

Easy2Start™

EasySpool™

ElastoStart™

Ematic™

FixCut™

HT Plus™

IntelliCarb™

Master Control Lever™

Micro™

Pro Mark™

Quad Power™

Quiet Line™

STIHL Arctic™

STIHL Compact™

English

STIHL HomeScaper Series TM

STIHL Interchangeable Attachment
Series TM

STIHL M-Tronic TM

STIHL MiniBoss TM

STIHL MotoPlus 4 TM

STIHL Multi-Cut HomeScaper Series TM

STIHL OUTFITTERS TM

STIHL PICCO TM

STIHL PolyCut TM

STIHL PowerSweep TM

STIHL Precision Series TM

STIHL Protech TM

STIHL RAPID TM

STIHL SuperCut TM

STIHL Territory TM

TapAction TM

TrimCut TM

This listing of trademarks is subject to
change.

Any unauthorized use of these
trademarks without the express written
consent of
ANDREAS STIHL AG & Co. KG,
Waiblingen is strictly prohibited.

Contenido

| | | | |
|---|----|---|----|
| Sistema KombiSystem | 38 | Declaración de garantía de STIHL Incorporated sobre el control de emisiones de gases de escape y emisiones por evaporación para el Estado de California | 72 |
| Acerca de este manual de instrucciones | 38 | Marcas comerciales | 75 |
| Medidas de seguridad y técnicas de manejo | 39 | | |
| Herramientas KombiTool aprobadas | 48 | | |
| Montaje del mango tórico | 49 | | |
| Ajuste del cable del acelerador | 50 | | |
| Motor 4-MIX | 50 | | |
| Combustible | 50 | | |
| Llenado de combustible | 52 | | |
| Arranque / parada del motor | 53 | | |
| Instrucciones para el uso | 56 | | |
| Limpieza del filtro de aire | 57 | | |
| Gestión del motor | 57 | | |
| Ajuste del carburador | 57 | | |
| Chispero en el silenciador | 59 | | |
| Bujía | 60 | | |
| Sustitución de la cuerda de arranque y del resorte de rebobinado | 61 | | |
| Almacenamiento de la máquina | 64 | | |
| Información para mantenimiento | 65 | | |
| Componentes importantes | 67 | | |
| Especificaciones | 68 | | |
| Accesorios especiales | 69 | | |
| Información de reparación | 70 | | |
| Declaración de garantía de STIHL Incorporated sobre sistemas de control de emisiones según normas Federales | 70 | | |

Permita que solamente las personas que comprenden la materia tratada en los manuales del motor KombiEngine y del accesorio KombiTool manejen esta herramienta motorizada combinada.

Para obtener el rendimiento y satisfacción máximos de la herramienta motorizada STIHL, es importante que lea, comprenda y respete las medidas de seguridad y las instrucciones de uso y mantenimiento dadas en el capítulo "Medidas de seguridad y técnicas de uso", antes de usar su herramienta motorizada. Para obtener información adicional, visite www.stihlusa.com.

Comuníquese con el concesionario o distribuidor de STIHL si no se entiende alguna de las instrucciones dadas en los dos manuales.

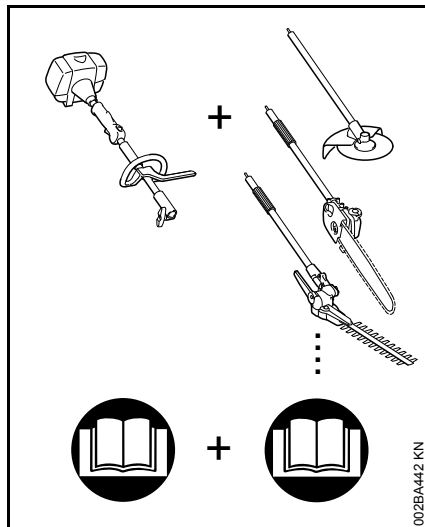


Advertencia!

Dado que este motor KombiEngine es el motor para una herramienta motorizada que funciona a gran velocidad, es necesario tomar algunas medidas especiales de seguridad para reducir el riesgo de lesiones personales. El uso descuidado o inadecuado puede causar lesiones graves e incluso mortales.

STIHL®

Sistema KombiSystem



Con el sistema KombiSystem de STIHL, varios motores KombiEngine y accesorios KombiTool pueden combinarse para formar una herramienta motorizada. En este manual de instrucciones la unidad formada por el motor KombiEngine y la herramienta KombiTool se identifica como la herramienta motorizada.

Por lo tanto, para esta herramienta motorizada es necesario usar juntos los manuales de instrucciones para el motor KombiEngine y la herramienta KombiTool.

Siempre lea y entienda los dos manuales de instrucciones antes de usar la herramienta motorizada por primera vez y guarde los mismos en un lugar seguro para referencia futura.

Acerca de este manual de instrucciones

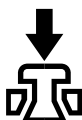
Pictogramas

Todos los pictogramas que se encuentran fijados o grabados en la máquina se explican en este manual.

Según el modelo, los pictogramas siguientes pueden aparecer en su máquina.



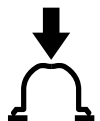
Tanque de combustible que contiene la mezcla de combustible y aceite



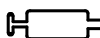
Presione para accionar la válvula de descompresión



Bomba de combustible manual



Presione para accionar la bomba manual de combustible



Orificio de llenado para lubricante de engranajes



Toma de aire para modo de verano



Toma de aire para modo de invierno



Calentador de manillar

Símbolos en el texto

Muchas de las instrucciones de uso y seguridad vienen acompañadas de ilustraciones.

Los pasos individuales o procedimientos descritos en el manual pueden estar señalados en diferentes maneras:

- Se usa un punto para denotar un paso o procedimiento.

Una descripción de un paso o procedimiento que se refiere directamente a una ilustración puede contener números de referencia que aparecen en la ilustración. Ejemplo:

- Suelte el tornillo (1).
- Palanca (2) ...

Además de las instrucciones de uso, en este manual pueden encontrarse párrafos a los que usted debe prestar atención especial. Tales párrafos están marcados con los símbolos y las palabras identificadoras que se describen a continuación.

PELIGRO

Indica un riesgo inminente de lesiones graves o mortales.

ADVERTENCIA

Identifica una situación de peligro que, al no evitarse, puede resultar en lesiones graves o mortales.



Indica el riesgo de daños a la propiedad, incluyendo a la máquina o sus componentes.

Mejoramientos técnicos

La filosofía de STIHL es mejorar continuamente todos sus productos. Como resultado de ello, periódicamente se introducen cambios de diseño y mejoras. Por lo tanto, es posible que algunos cambios, modificaciones y mejoras no se describen en este manual. Si las características de funcionamiento o la apariencia de su máquina difieren de las descritas en este manual, comuníquese con el concesionario STIHL para obtener la ayuda que requiera.

Medidas de seguridad y técnicas de manejo



Dado que este motor KombiEngine es el motor para una herramienta motorizada que funciona a gran velocidad, es necesario tomar medidas especiales de seguridad para reducir el riesgo de lesiones personales.



Es importante que usted lea, comprenda bien y respete las siguientes advertencias y medidas de seguridad. Lea periódicamente los manuales de instrucciones y las precauciones de seguridad de su motor Kombi y accesorio Kombi. El uso descuidado o inadecuado puede causar lesiones graves o incluso mortales.

Pida a su concesionario STIHL que le enseñe el manejo de la herramienta motorizada. Respete todas las disposiciones, reglamentos y normas de seguridad locales del caso.



¡Advertencia!

No preste ni alquile nunca su herramienta motorizada sin entregar los manuales de instrucciones. Asegúrese que todas las personas que utilicen la máquina lean y comprendan la información contenida en estos manuales.

Utilice su herramienta motorizada solamente para las aplicaciones descritas en el manual de instrucciones del accesorio KombiTool que está usando.



¡Advertencia!

No debe usarse para ningún otro propósito ya que el uso indebido puede resultar en lesiones personales o daños a la propiedad, incluso daños de la máquina.



¡Advertencia!

Nunca se debe permitir a los niños que usen esta herramienta motorizada. No se debe permitir la proximidad de otros, especialmente niños y animales, donde se esté utilizando la máquina.



¡Advertencia!

Para reducir el riesgo de ocasionar lesiones a las personas en la cercanía y daños a la propiedad, nunca deje la herramienta motorizada en marcha desatendida. Cuando no está en uso (por ejemplo durante el descanso), apáguela y asegúrese de que las personas no autorizadas no puedan usarla.

Las medidas de seguridad y avisos contenidos en este manual se refieren al uso de todas las herramientas motorizadas STIHL. Los distintos modelos pueden contar con piezas y controles diferentes. Vea la sección correspondiente de sus manuales de instrucciones del motor KombiEngine y accesorio KombiTool para tener una descripción de los controles y la función de los componentes de su modelo.

No limpie la máquina con una lavadora a presión. El chorro fuerte de agua puede dañar las piezas de la máquina.

El uso seguro de un motor KombiEngine atañe a

1. el operador
2. la herramienta motorizada
3. el uso de la herramienta motorizada

EL OPERADOR

Condición física

Usted debe estar en buenas condiciones físicas y psíquicas y no encontrarse bajo la influencia de ninguna sustancia (drogas, alcohol, etc.) que le pueda restar visibilidad, destreza o juicio. No maneje esta máquina cuando está fatigado.



¡Advertencia!

Esté alerta. Si se cansa, tómese un descanso. El cansancio puede provocar una pérdida del control. El uso de cualquier herramienta motorizada es fatigoso. Si usted padece de alguna dolencia que pueda ser agravada por la fatiga, consulte a su médico antes de utilizar esta máquina.



¡Advertencia!

El uso prolongado de una herramienta motorizada (u otras máquinas) expone al operador a vibraciones que pueden provocar el fenómeno de Raynaud (dedos blancos) o el síndrome del túnel carpiano.

Estas condiciones reducen la capacidad de las manos de sentir y regular la temperatura, producen entumecimiento y ardor y pueden provocar trastornos nerviosos y circulatorios, así como necrosis de los tejidos.

No se conocen todos los factores que contribuyen a la enfermedad de Raynaud, pero el clima frío, el fumar y las enfermedades o condiciones físicas que afectan los vasos sanguíneos y la circulación de la sangre, como asimismo los niveles altos de vibración y períodos prolongados de exposición a la vibración son mencionados como factores en el desarrollo de la

enfermedad de Raynaud. Por lo tanto, para reducir el riesgo de la enfermedad de dedos blancos y del síndrome del túnel carpiano, sírvase notar lo siguiente:

- La mayor parte de las herramientas motorizadas de STIHL se ofrecen con un sistema antivibración ("AV") cuyo propósito es reducir la transmisión de las vibraciones creadas por la máquina a las manos del operador. Se recomienda el uso del sistema AV a aquellas personas que utilizan herramientas motorizadas en forma constante y regular.
- Use guantes – no durante el uso de la herramienta KombiTool BG-KM – y mantenga las manos abrigadas.
- Mantenga el sistema AV en buen estado. Una herramienta motorizada con los componentes flojos o con elementos AV dañados o desgastados también tendrá tendencia a tener niveles más altos de vibración.
- Agarre firmemente los mangos en todo momento, pero no los apriete con fuerza constante y excesiva. Tómese descansos frecuentes.

Todas las precauciones antes mencionadas no le garantizan que va a estar totalmente protegido contra la enfermedad de Raynaud o el síndrome del túnel carpiano. Por lo tanto, los operadores constantes y regulares deben revisar con frecuencia el estado de sus manos y dedos. Si aparece alguno de los síntomas arriba mencionados, consulte inmediatamente al médico.

**¡Advertencia!**

El sistema de encendido de la máquina STIHL produce un campo electromagnético de intensidad muy baja. El mismo puede interferir con algunos tipos de marcapasos. Para reducir el riesgo de lesiones graves o mortales, las personas portadoras de marcapasos deben consultar a sus médicos y al fabricante del marcapasos antes de usar esta máquina.

Vestimenta adecuada**¡Advertencia!**

Para reducir el riesgo de lesiones el operador debe usar el equipo protector adecuado.

**¡Advertencia!**

El ruido de la herramienta motorizada puede dañar los oídos. Siempre use amortiguadores del ruido (tapones u orejeras) para protegerse los

oídos. Los usuarios constantes y regulares deben someterse con frecuencia a un examen o control auditivo.

Esté especialmente alerta y tenga cuidado cuando se usa protectores de oídos, ya que los mismos reducen la posibilidad de oír señales de advertencia (gritos, alarmas, etc.).



Evite el uso de chaquetas sueltas, bufandas, corbatas, joyas, pantalones acampanados o con vueltas, pelo largo suelto o cualquier cosa que pueda engancharse en las ramas, matorrales o piezas en movimiento de la máquina. Sujétese el pelo de modo que quede sobre los hombros.

Para instrucciones adicionales acerca de la ropa adecuada, vea las precauciones de seguridad, en el manual de instrucciones del accesorio KombiTool que está usando.

LA HERRAMIENTA MOTORIZADA

Para las ilustraciones y definiciones de los componentes de la herramienta motorizada, vea el capítulo sobre "Piezas principales".

**¡Advertencia!**

Nunca modifique, de ninguna manera, esta herramienta motorizada. Utilice únicamente los accesorios suministrados por STIHL o expresamente autorizados por STIHL para usarse con el modelo específico de motor KombiEngine de STIHL. Si bien es posible conectar a la herramienta motorizada de STIHL ciertos accesorios no autorizados, su uso puede ser, en la práctica, extremadamente peligroso.

Si la máquina experimenta cargas excesivas para las cuales no fue diseñada (por ejemplo, impactos severos o una caída), siempre

asegúrese de que la máquina esté en buenas condiciones antes de seguir con el trabajo. Inspeccione específicamente la integridad del sistema de combustible (ausencia de fugas) y asegúrese de que los controles y dispositivos de seguridad funcionen como es debido. No siga manejando esta máquina si está dañada. En caso de dudas, pida que el concesionario de servicio de STIHL la revise.

USO DE LA HERRAMIENTA MOTORIZADA**Transporte de la herramienta motorizada****¡Advertencia!**

Antes de apoyar la herramienta motorizada en el suelo, siempre apague el motor y asegúrese de que el accesorio ha dejado de girar. Cuando transporte la herramienta motorizada en un vehículo, sujétela firmemente para impedir su vuelco, el derrame de combustible y el daño a la herramienta motorizada.

Combustible

La herramienta motorizada STIHL utiliza una mezcla de aceite-gasolina como combustible (vea el capítulo "Combustible" en el manual del propietario).

¡Advertencia!



La gasolina es un combustible muy inflamable. Si se derrama y arde a causa de una chispa u otra fuente de ignición, puede provocar un

incendio y quemaduras graves o daños a la propiedad. Tenga sumo cuidado cuando manipule gasolina o la mezcla de combustible. No fume cerca del combustible o la herramienta motorizada, ni acerque ningún fuego o llama a ellos. Puede escapar vapor inflamable del sistema de combustible.

Instrucciones para el llenado de combustible

¡Advertencia!

Para reducir el riesgo de lesiones graves causadas por quemaduras, nunca intente abastecer la máquina con combustible sin que el operador se haya despojado de la misma.

¡Advertencia!

Cargue de combustible su herramienta motorizada en lugares al aire libre bien ventilados. Siempre apague el motor y deje que se enfríe antes de llenar de combustible. Dependiendo del combustible utilizado, de las condiciones climáticas y del sistema de ventilación del tanque, es posible que se forme vapor de gasolina a presión dentro del tanque de combustible.

Para reducir el riesgo de quemaduras, así como otras lesiones corporales ocasionadas por los escapes de vapor

de gasolina y otras emanaciones, quite la tapa de llenado de combustible de la herramienta motorizada cuidadosamente de modo que la presión que se pueda haber acumulado en el tanque se disipe lentamente. Nunca quite la tapa de llenado de combustible mientras el motor esté funcionando.

Elija una superficie despejada para llenar el tanque y aléjese 3 m (10 pies) por lo menos del lugar en que lo haya llenado antes de arrancar el motor. Limpie todo el combustible derramado antes de arrancar la máquina.

¡Advertencia!



Compruebe que no existan fugas de combustible mientras llena el tanque y durante el funcionamiento de la máquina. Si detecta alguna fuga de combustible, no arranque el motor ni lo haga funcionar sin antes reparar la fuga y limpiar el combustible derramado. Tenga cuidado de no mancharse la ropa con combustible. Si la mancha, cámbiesela inmediatamente.

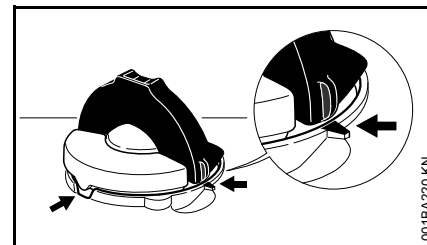
El tipo de tapa de llenado difiere con los distintos modelos.

El tipo de tapa de llenado difiere con los distintos modelos.

Tapa sin herramientas con empuñadura

¡Advertencia!

Para reducir el riesgo de derramar combustible y provocar un incendio debido a una tapa de combustible mal apretada, coloque la tapa en la posición correcta y apriétela en la boca de llenado del tanque.



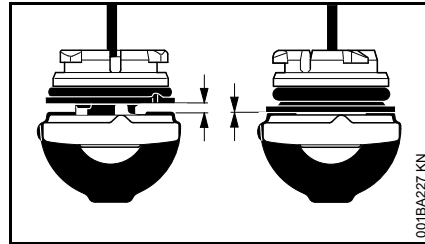
Para hacer esto con esta tapa STIHL, levante la empuñadura en la parte superior de la tapa hasta dejarla vertical a un ángulo de 90°. Inserte la tapa en la boca de llenado del tanque, alineando las marcas de posición en la empuñadura de la tapa y en la boca del tanque. Utilice la empuñadura para oprimir la tapa firmemente hacia abajo mientras la gira en sentido horario hasta que tope (aprox. un cuarto de vuelta).



Doble la empuñadura dejándola a ras con la parte superior de la tapa. Sujete la tapa y compruebe que esté bien apretada. Si la empuñadura no queda completamente a ras con la tapa y el tope de la empuñadura no encaja en la hendidura correspondiente de la abertura de llenado, o si la tapa está suelta en la boca de llenado, la tapa no está debidamente asentada ni apretada y es necesario repetir los pasos previamente descritos.

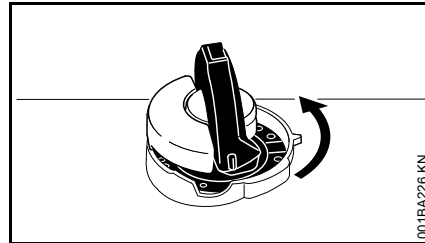
Tapa desalineada, dañada o rota

- Si la tapa no encaja completamente en la abertura cuando se alinean las marcas de posición y/o si la tapa no se aprieta debidamente al girarla, la base de la tapa puede haber girado prematuramente (con relación a la parte superior) hasta la posición cerrada. Tal desalineación puede ser resultado de la manipulación, limpieza o un intento incorrecto de apriete.



A izquierda: Base de la tapa en posición cerrada (con espacio vacío)

A derecha: Base de la tapa correctamente colocada para la instalación



- Para volver a colocar la tapa en posición abierta para instalarla, gírela (con la empuñadura hacia arriba) hasta que caiga completamente en la abertura del tanque. A continuación, gire la tapa en sentido contrahorario hasta que tope (aprox. 1/4 de vuelta) – esto gira la base de la tapa a la posición correcta. Luego gire la tapa en sentido horario, cerrándola de modo normal.
- Si aún no es posible apretar la tapa de modo debido, la misma podría estar averiada o rota; ponga la máquina fuera de servicio de

inmediato y llévala a un concesionario STIHL autorizado para repararla.

Tapa roscada



¡Advertencia!



Las vibraciones de la máquina pueden aflojar una tapa de combustible que ha quedado mal apretada, o simplemente soltarla y derramar combustible.

Para reducir el riesgo de derrames e incendio, apriete la tapa de llenado de combustible a mano tan firmemente como sea posible.

Consulte también el capítulo "Combustible" del Manual de instrucciones para obtener información adicional.

Antes de arrancar



¡Advertencia!

Siempre revise la herramienta motorizada para comprobar que está en buenas condiciones y que funciona correctamente antes de arrancarla, en particular el gatillo de aceleración, el bloqueo de gatillo de aceleración, el interruptor de parada, el accesorio de corte, el deflector y el arnés. El gatillo de aceleración debe moverse libremente y siempre debe regresar a la posición de marcha en vacío por la acción de resorte. Nunca intente modificar los controles o los dispositivos de seguridad.

 **¡Advertencia!**

No maneje nunca una herramienta motorizada que esté dañada, mal ajustada o mantenida o que no fue armada completa y debidamente.

 **¡Advertencia!**

Asegúrese de que el casquillo de la bujía esté firmemente colocado – un casquillo suelto puede crear un arco voltaico y encender los vapores del combustible, provocando un incendio.

Mantenga los mangos limpios y secos en todo momento; es particularmente importante mantenerlos libres de humedad, aceite, combustible, grasa o resinas para garantizar que la máquina pueda empuñarse firmemente para mantenerla bajo control seguro.

Arranque

Arranque el motor al aire libre, por lo menos 3 m (10 pies) del lugar en que lo haya llenado.

Para las instrucciones específicas de arranque, vea la sección correspondiente de los manuales del motor y accesorio KombiTool. Coloque la herramienta motorizada sobre suelo firme u otra superficie sólida en un lugar abierto. Mantenga el equilibrio y elija un buen punto de apoyo para los pies.

 **¡Advertencia!**

Para reducir el riesgo de lesiones debido a la pérdida de control, esté absolutamente seguro que la herramienta motorizada se encuentra lejos de su cuerpo y de todas las obstrucciones y objetos, incluido el suelo, porque al arrancar el motor acelerado, su velocidad será lo suficientemente rápida para que el embrague se engrane y haga funcionar la herramienta motorizada.

Tan pronto arranque, accione inmediatamente por un breve momento el gatillo de aceleración para desconectarlo de la posición de arranque y permitir que el motor se desacelere a la marcha en vacío.

 **¡Advertencia!**

Su herramienta motorizada es una máquina que debe ser manejada por solamente una persona. No deje que otras personas estén en el lugar de trabajo, aun durante el arranque.

 **¡Advertencia!**

Para reducir el riesgo de sufrir lesiones causadas por la pérdida de control, no intente arrancar el motor de la herramienta "por lanzamiento".

 **¡Advertencia!**

Cuando tire del mango de arranque, no enrolle la cuerda de arranque alrededor de la mano. No deje que el mango retroceda bruscamente, sino guíe la cuerda de arranque para que se enrolle debidamente. Si no ejecuta este procedimiento puede lastimarse la mano o los dedos y también dañar el mecanismo de arranque.

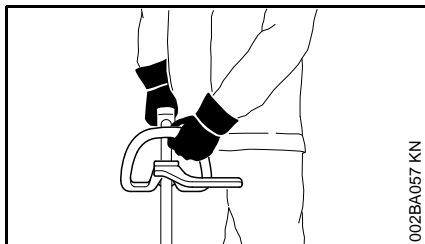
Vea también las precauciones de seguridad de arranque en el manual de instrucciones del accesorio KombiTool.

Ajustes importantes

 **¡Advertencia!**

Para reducir el riesgo de lesiones personales debido a la pérdida de control o al contacto con la herramienta motorizada en movimiento, no use una herramienta cuyo ajuste de marcha en vacío está mal regulado. Cuando la velocidad de marcha en vacío está correctamente regulada, la herramienta no debe girar. Para instrucciones acerca de cómo ajustar el régimen de marcha en vacío, vea la sección correspondiente del manual de instrucciones.

Si no puede regular correctamente el ralentí, pida a su concesionario STIHL que revise la herramienta motorizada y haga los ajustes o reparaciones correspondientes.

Durante el trabajo**Sujeción y control de la herramienta motorizada**

Al trabajar, siempre sujete la máquina firmemente con ambas manos en los mangos. Cierre firmemente los dedos y pulgares sobre los mangos.

La mano derecha debe sujetar el mango trasero. Esto también corresponde a personas zurdas.

**¡Advertencia!**

Para reducir el riesgo de lesiones causadas por la pérdida del control, nunca trabaje sobre una escalera o cualquier otra superficie de soporte poco seguro.

Condiciones de trabajo

Maneje y arranque su herramienta motorizada solamente al aire libre en un lugar bien ventilado. Manéjela solamente en condiciones de buena visibilidad y a la luz del día. Trabaje con mucho cuidado.

**¡Advertencia!**

Tan pronto arranca, este producto genera vapores de escape tóxicos que contienen productos químicos (tales como hidrocarburos sin quemar y monóxido del carbono, incluyendo el benceno) considerados como causantes de enfermedades respiratorias, cáncer, defectos de nacimiento u otra toxicidad reproductora. Algunos de estos gases (por ej., monóxido de carbono) pueden ser incoloros e inodoros. Para reducir el riesgo de sufrir lesiones graves o mortales por respirar gases tóxicos, nunca haga funcionar la máquina puertas adentro o en lugares mal ventilados.

**¡Advertencia!**

La inhalación de ciertos polvos, especialmente los polvos orgánicos, tales como el moho o polen, puede provocar reacciones alérgicas o asmáticas en las personas sensibles. La inhalación repetida o de grandes cantidades de polvo u otros contaminantes del aire, especialmente los de partículas pequeñas puede causar enfermedades respiratorias o de otro tipo. Controle el polvo en su fuente, siempre que sea posible. Utilice buenas prácticas de trabajo, tal como trabajar de manera que el viento o el proceso de corte dirija el polvo producido por la herramienta motorizada en sentido opuesto del operador. Observe las recomendaciones emitidas por EPA/OSHA/NIOSH y las asociaciones de trabajo y los sindicatos con respecto al polvo ("materia particulada"). Cuando sea imposible eliminar significativamente la inhalación del polvo, es decir mantener el nivel cerca del valor ambiente, el operador y las personas que se encuentren en la cercanía siempre deberán usar un respirador aprobado por NIOSH/MSHA para el tipo de polvo presente en el lugar.

Instrucciones de manejo**¡Advertencia!**

No maneje la herramienta motorizada usando el bloqueo de acelerador para arranque, pues no tendrá control de la velocidad del motor.

En caso de emergencia, apague el motor inmediatamente – mueva el control deslizante / interruptor de parada a **0** o **STOP**



¡Advertencia!

Nunca modifique el silenciador. La modificación del silenciador podría causar el aumento del calor irradiado, de las chispas y del nivel de ruido, lo que aumentará el riesgo de incendios, lesiones por quemadura o la pérdida auditiva. Además, se podría dañar permanentemente el motor. Haga reparar el silenciador únicamente por el concesionario de servicio STIHL.



¡Advertencia!

El silenciador y otros componentes del motor (por ej., aletas del cilindro, bujía) se calientan durante el funcionamiento y permanecen calientes por un buen rato después de apagar el motor. Para reducir el riesgo de quemaduras, no toque el silenciador ni los otros componentes mientras están calientes. Mantenga limpia la zona alrededor del silenciador. Quite el lubricante excesivo y toda la basura tal como las agujas de pinos, ramas u hojas. Deje que el motor se enfríe apoyado sobre una superficie de hormigón, metal, suelo raso o madera maciza, lejos de cualquier sustancia combustible.



¡Advertencia!

Una caja de cilindro dañada o mal instalada, o una envuelta del silenciador dañada o deformada, puede perjudicar el proceso de enfriamiento del silenciador. Para reducir el riesgo de incendio o lesiones por quemadura, no continúe trabajando con una caja de cilindro dañada o mal instalada, o una envuelta del silenciador dañada o deformada.

El silenciador tiene un chispero diseñado para reducir el riesgo de incendio debido a la emisión de partículas calientes. Nunca haga funcionar la unidad sin tener instalado el chispero. Si la mezcla de gasolina y aceite está correcta (no es demasiado rica), en condiciones normales el chispero quedará limpio como resultado del calor del silenciador y no necesitará servicio ni mantenimiento. Si el rendimiento de su máquina comienza a disminuir y sospecha que las rejillas están obstruidas, haga reparar el silenciador por un concesionario de servicio STIHL. Para ciertas aplicaciones, las leyes o los reglamentos estatales o federales pueden requerir el uso de un chispero en buenas condiciones. Consulte la sección "Mantenimiento, Reparación y Almacenamiento" de estas Medidas de seguridad. Recuerde que el riesgo de incendios de matorrales o forestales es mayor durante las estaciones calurosas y secas.



¡Advertencia!



Algunas herramientas motorizadas STIHL están equipadas con un convertidor catalítico, el que está diseñado para reducir las emisiones de escape del motor mediante un proceso químico en el silenciador. Debido a este proceso, el silenciador no se enfría tan rápidamente como los del tipo convencional cuando el motor regresa a marcha en vacío o es apagado. Para reducir el riesgo de incendios y lesiones por quemadura al usar un convertidor catalítico, apoye siempre su herramienta motorizada en posición vertical y no la coloque nunca donde el silenciador quede cerca de material seco como por ejemplo matorrales, pasto, virutas de madera u otros materiales combustibles mientras todavía está caliente.

MANTENIMIENTO, REPARACIÓN Y ALMACENAMIENTO

Los trabajos de mantenimiento, reemplazo o reparación de los dispositivos y sistemas de control de emisiones de escape pueden ser realizados por cualquier taller o técnico de motores no diseñados para vehículos. Sin embargo, si usted está reclamando cobertura de garantía para algún componente que no ha sido reparado o mantenido debidamente, o cuando se utilizan repuestos no autorizados, STIHL puede denegar la garantía.


¡Advertencia!

Utilice solamente piezas de repuesto de STIHL para el mantenimiento y la reparación. El uso de piezas no fabricadas por STIHL puede causar lesiones graves o mortales.

Siga precisamente las instrucciones de mantenimiento y reparación dadas en la sección correspondiente de los manuales de instrucciones del motor KombiEngine y del accesorio KombiTool. Consulte las tablas de mantenimiento y las notas de mantenimiento en estos manuales.


¡Advertencia!

Siempre apague el motor y verifique que el accesorio está parado antes de llevar a cabo cualquier trabajo de mantenimiento, reparación o limpieza del accesorio motorizado. No intente hacer ningún trabajo de mantenimiento o reparación que no esté descrito en su manual de instrucciones del motor KombiEngine o del accesorio KombiTool. Este tipo de trabajo debe ser realizado únicamente por el concesionario de servicio de STIHL.


¡Advertencia!

Use la bujía especificada y asegúrese de que ella y el cable de encendido estén limpios y en buen estado. Siempre inserte el casquillo de la bujía bien apretado en el borne de la bujía del tamaño adecuado. (Nota: Si el borne tiene una tuerca adaptadora SAE desmontable, tiene que ser instalada.) Una conexión suelta entre el casquillo de la bujía y el conector del cable de encendido en el casquillo puede crear un arco voltaico y encender los vapores del combustible, provocando un incendio.


¡Advertencia!

No pruebe nunca el sistema de encendido con el casquillo del cable de encendido desconectado de la bujía, o sin tener instalada la bujía, ya que las chispas al descubierto pueden causar un incendio.


¡Advertencia!

Nunca maneje su herramienta motorizada si el silenciador está dañado, se ha perdido o si fue modificado. Un silenciador mal cuidado aumenta el riesgo de incendio y puede causar pérdida de audición. El silenciador está equipado con un chispero para reducir el riesgo de incendio; no maneje nunca su herramienta motorizada si le falta el chispero o está dañado. Recuerde que el riesgo de incendios de matorrales o forestales es mayor durante las estaciones calurosas y secas.

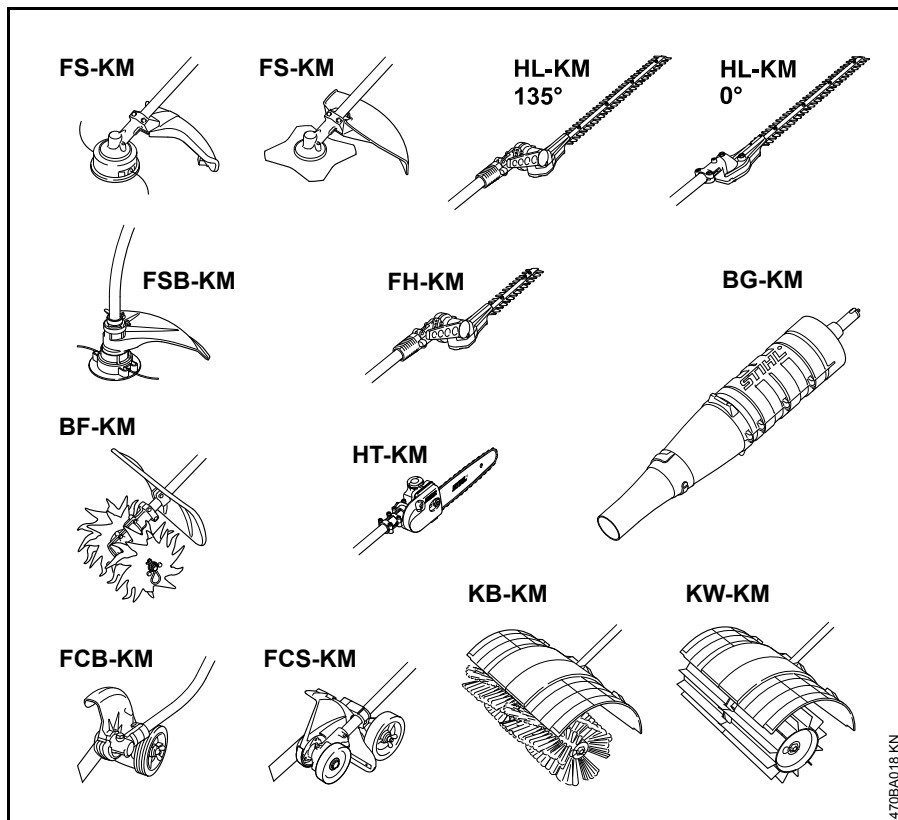
En California, es una violación de los acápites § 4442 o § 4443 o de Código de Recursos Públicos el uso de

herramientas con motor de gasolina en tierras cubiertas por bosques, arbustos o pasto a menos que el sistema de escape del motor cuente con un chispero que satisfaga los requisitos legales y que reciba el mantenimiento adecuado para estar en buenas condiciones de funcionamiento. El propietario/operador de este producto es responsable del mantenimiento adecuado del chispero. Otras entidades/agencias estatales o gubernamentales, tales como el Servicio Forestal de los EE.UU., pueden tener requisitos similares. Comuníquese con el cuerpo de bomberos de su localidad o con el servicio forestal para informarse en cuanto a las leyes y reglamentos relacionados con los requisitos de protección contra incendios.

Guarde la herramienta motorizada en un lugar seco y elevado o con llave lejos del alcance de los niños.

Antes de guardar la máquina durante un período de más de algunos días, siempre vacíe el tanque de combustible. Consulte el capítulo "Almacenamiento de la máquina" en este manual.

Herramientas KombiTool aprobadas



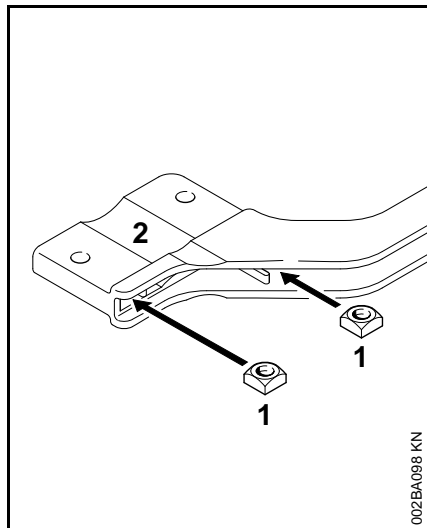
Los siguientes accesorios KombiTool de STIHL pueden instalarse en el motor KombiEngine:

| Accesorio KombiTool | Propósito |
|---------------------|--|
| FSKM | Cortadora de matorrales con cabeza segadora |
| FSKM | Cortadora de matorrales con cuchilla para recortar pasto |
| FSBKM | Cortadora de matorrales con cabeza segadora |
| HLKM 135° | Cortasetos ajustable |
| HLKM 0° | Cortasetos |
| FHKM 135° | Motoguadaña |
| BGKM | Soplador |
| HTKM | Podador de varilla |
| BFKM | Púas ganzúas |
| FCBKM | Bordeadora |
| FCSKM | Bordeadora |
| KBKM | Cepillo barredor |
| KW-KM | Barredora PowerSweep |

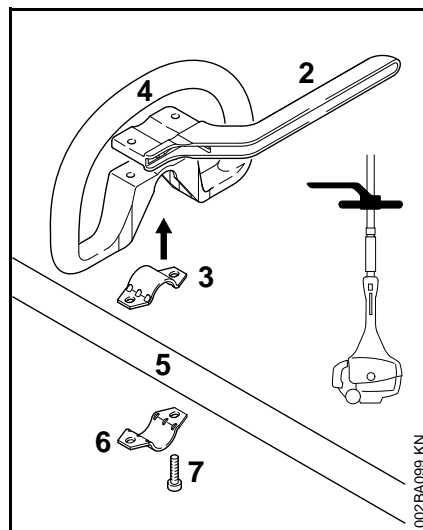
La barra de defensa suministrada con la máquina debe instalarse en el mango tórico – vea "Instalación del mango tórico".

Montaje del mango tórico

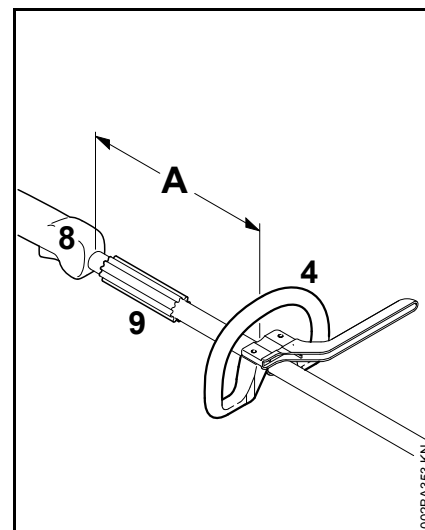
Se suministra una barra de defensa con la máquina. Fije la barra de defensa al mango tórico.



- Introduzca las tuercas cuadradas (1) en la barra de defensa (2) – los orificios deben quedar alineados



- Introduzca la abrazadera (3) en el mango tórico (4) y colóquelos juntos en el eje (5)
- Posicione la abrazadera (6)
- Posicione la barra de defensa (2) – ¡observe la posición!
- Alinee los orificios
- Introduzca los pernos (7) en los orificios – y atorníllelos a fondo en la barra de defensa



- Instale el mango tórico (4) a una distancia de (A) aprox. 20 cm (8 in) delante del mango de control (8)
- Posicione el mango tórico
- Apriete los pernos – bloquee las tuercas de ser necesario

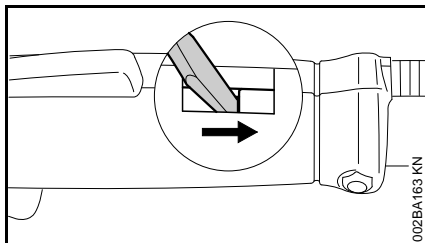
El uso del manguito (9) depende del país, y el mismo debe colocarse entre el mango tórico y el mango de control.

Siempre deje la barra de defensa conectada.

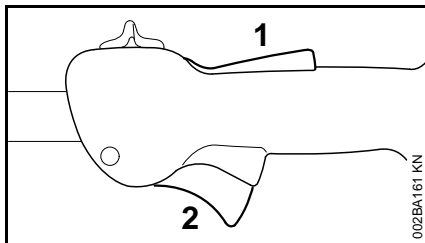
Ajuste del cable del acelerador

El ajuste correcto del cable del acelerador es necesario para el funcionamiento correcto en las posiciones de máxima aceleración, arranque y marcha en vacío.

- Ajuste el cable del acelerador solamente cuando la unidad esté completa y correctamente armada.



- Utilice una herramienta adecuada para empujar la pieza deslizante hasta el extremo de la ranura (vea la ilustración).



- Pulse el bloqueo (1) y oprima el gatillo de aceleración (2) (aceleración máxima) – esto ajusta el cable del acelerador correctamente.

Motor 4-MIX

El motor **STIHL 4-MIX** se lubrica con gasolina y aceite y debe funcionar con una **mezcla** de gasolina y aceite para motor.

Por lo demás, es un motor de cuatro tiempos.

Combustible

Este motor está certificado para funcionar con una mezcla de 50 a 1 de gasolina sin plomo y aceite STIHL para motores de dos tiempos.

Su motor requiere una mezcla de gasolina de alta calidad y aceite para motores de dos tiempos enfriados por aire.

Utilice gasolina de grado intermedio con un índice de octanaje mínimo de 89 (R+M/2) y un contenido de etanol no mayor que 10%.

El combustible de octanaje bajo puede aumentar la temperatura de funcionamiento del motor. Esto, a su vez, aumenta el riesgo de que se agarrote el pistón y se dañe el motor.

La composición química del combustible también es importante. Algunos aditivos de combustible no solamente tienen efectos perjudiciales en los elastómeros (diafragmas de carburador, sellos de aceite, tuberías de combustible, etc.), sino también en las piezas fundidas de magnesio y en los convertidores catalíticos. Esto podría causar problemas de funcionamiento e incluso daño del motor. Por esta razón, STIHL recomienda el uso exclusivo de gasolina sin plomo reconocida de buena calidad.

La gasolina con un contenido de etanol mayor que el 10% puede causar problemas de funcionamiento y averías graves en motores con carburadores manualmente ajustables, por lo cual no debe utilizarse en este tipo de motores.

El contenido de etanol en la gasolina afecta el régimen de marcha del motor – podría resultar necesario reajustar el carburador si se utilizan combustibles con diversos niveles de contenido de etanol.



¡Advertencia!

Para reducir el riesgo de lesiones personales debido a la pérdida de control y / o al contacto con la herramienta de corte en movimiento, no use una máquina cuyo régimen de marcha en vacío está mal regulado. Cuando el ralentí está correctamente regulado, la herramienta de corte no debe moverse.

Si su herramienta motorizada indica que el régimen de marcha en vacío está mal regulado, pida a su representante de STIHL que revise la herramienta motorizada y haga los ajustes o reparaciones correspondientes.

Las velocidades de ralentí y máxima del motor varían si se cambia el combustible por otro con un contenido mayor o menor de etanol.

Este problema se evita si siempre se utiliza combustible con un mismo contenido de etanol..

Utilice aceite STIHL HP Ultra o consulte con su concesionario para obtener un aceite equivalente de alta calidad que asegure el rendimiento y la vida útil plena del producto.

Para satisfacer los requisitos de la norma EPA 40CFR90/1054 recomendamos el uso del aceite STIHL HP Ultra.

No use aceites para mezclar con designaciones BIA o TCW (para motores de dos tiempos enfriados por agua) ni otros aceites para mezclar diseñados para usar en motores enfriados por agua o por aire (por ejemplo, en motores marinos fuera de borda, motonieves, sierras de cadenas, bicimotos, etc.).

Manipule la gasolina con sumo cuidado. Evite el contacto directo con la piel y evite inhalar los vapores de combustible. Cuando se reabastece de combustible, quite primero el envase del vehículo y colóquelo en el suelo antes de llenarlo. Para reducir el riesgo de la formación de chispas causadas por la descarga de electricidad estática y un posible incendio y/o explosión, no llene los envases de combustible cuando están colocados dentro de un vehículo o remolque.

Mantenga el envase bien cerrado para limitar la cantidad de humedad que penetre en la mezcla.

Limpie el tanque de combustible de la máquina según sea necesario.

Duración de la mezcla de combustible

Mezcle una cantidad suficiente de combustible para trabajar unos pocos días, no lo guarde por más de 3 meses. Guárdelo únicamente en envases aprobados para combustible. Para el proceso de mezclado, vierta el aceite en el envase primero y luego agregue la gasolina. Cierre el envase y agítelo vigorosamente a mano para asegurar que se mezclen bien el aceite y la gasolina.

| | |
|----------|--|
| Gasolina | Aceite (STIHL 50:1 ó aceite de alta calidad equivalente) |
|----------|--|

| | |
|---------------|-----------------|
| gal EE.UU. | oz fl EE.UU. |
|---------------|-----------------|

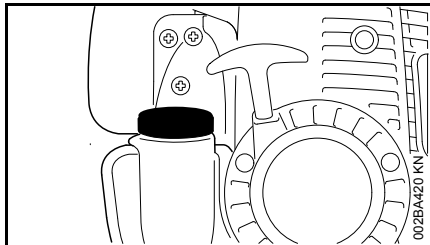
| | |
|-------|------|
| 1 | 2,6 |
| 2 1/2 | 6,4 |
| 5 | 12,8 |

Deseche los envases vacíos usados para mezclar el aceite únicamente en vertederos autorizados para ello.

Llenado de combustible



Preparaciones



- Antes de llenar la máquina con combustible, limpie a fondo la tapa de llenado y la zona alrededor del mismo para evitar la entrada de tierra al tanque.

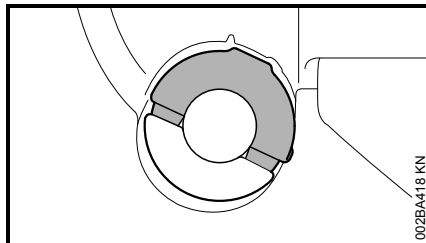
Siempre agite bien la mezcla en el recipiente antes de llenar la máquina con combustible.

- Coloque la máquina de modo que la tapa de llenado quede orientada hacia arriba.

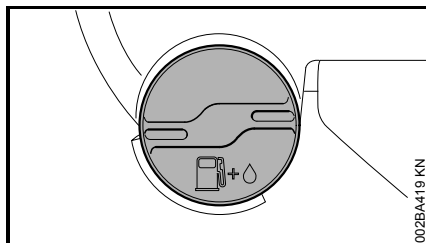


Para reducir el riesgo de quemaduras, así como de incendios y de lesiones corporales ocasionadas por los escapes de vapor de gasolina y otras emanaciones, quite la tapa de llenado de combustible cuidadosamente de modo que la presión que se pueda haber acumulado en el tanque se disipe lentamente.

En la fábrica se instala una de dos tipos diferentes de tapas.

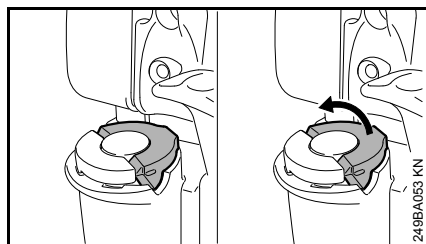


Tapa de llenado sin necesidad de herramientas (con empuñadura plegable)

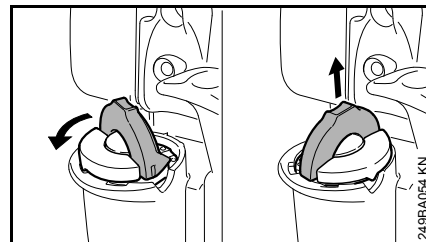


Tapa de llenado roscada

Apertura de la tapa de llenado sin herramientas



- Gire la empuñadura a la posición vertical

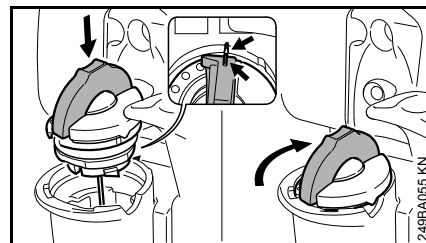


- Gire la tapa en sentido contrahorario (aprox. 1/4 de vuelta).
- Quite la tapa de llenado.

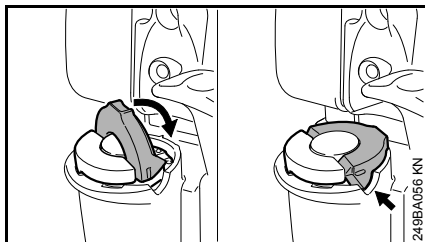
Carga de combustible

Tenga cuidado de no derramar el combustible al llenar el tanque y de tampoco llenarlo en exceso. STIHL recomienda el uso del sistema de llenado STIHL (accesorio especial).

Cierre de la tapa de llenado sin herramientas



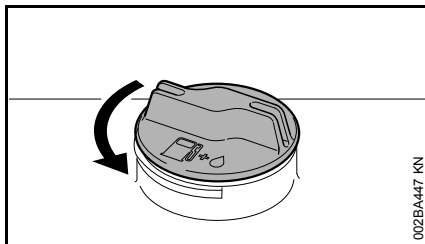
- Coloque la tapa con la empuñadura en posición vertical; las marcas de posición deberán quedar alineadas entre sí.
- Gire la tapa en sentido horario hasta que tope (aprox. 1/4 de vuelta).



- Pliegue la empuñadura hacia abajo de modo que quede a ras con la superficie.

Si la empuñadura no queda a ras con la superficie y la orejeta de la pinza no se encaja completamente en la hendidura (flecha), la tapa no está correctamente cerrada y será necesario repetir los pasos previamente descritos. Consulte también la sección "Tapa y empuñadura sin necesidad de herramientas", entre las Precauciones de seguridad.

Apertura de la tapa de llenado roscada

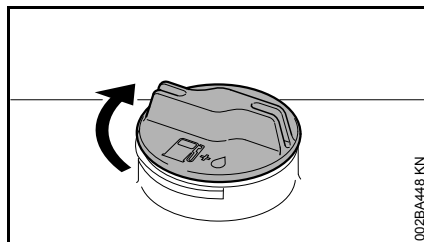


- Gire la tapa en sentido contrahorario hasta quitarla de la boca de llenado del tanque.
- Quite la tapa de llenado.

Carga de combustible

Tenga cuidado de no derramar el combustible y no llene en exceso el tanque. STIHL recomienda el uso del sistema de llenado STIHL (accesorio especial).

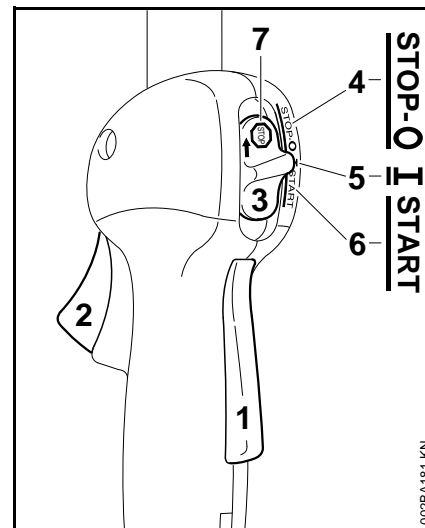
Cierre de la tapa de llenado roscada



- Coloque la tapa en posición.
- Gire la tapa en sentido horario hasta que tope y apriétela hasta donde sea posible con la mano.

Arranque / parada del motor

Controles





- 1 Bloqueo de gatillo de aceleración
- 2 Gatillo de aceleración
- 3 Control deslizante

Posiciones del control deslizante

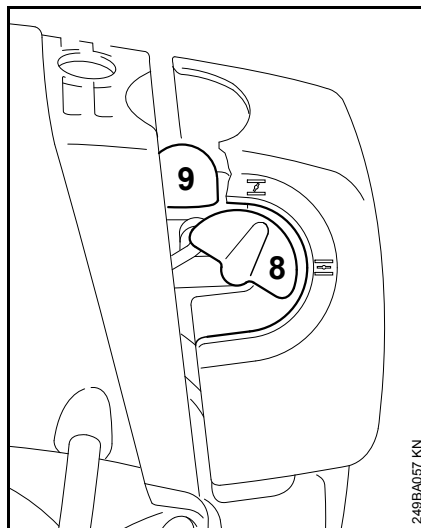
- 4 **STOP-0** – motor apagado – el encendido está apagado
- 5 **I** – posición de funcionamiento normal – el motor está en marcha o puede arrancarse
- 6 **START** – el encendido está conectado y es posible arrancar el motor

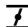


Símbolo en el control deslizante

- 7  – símbolo de parada y flecha.
Para apagar el motor – empuje el control deslizante en el sentido de la flecha en el símbolo de parada () a **STOP-0**.

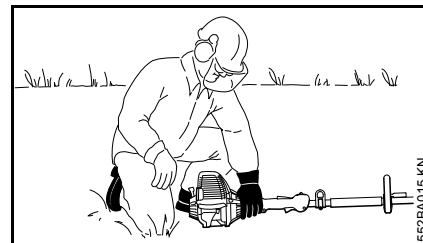
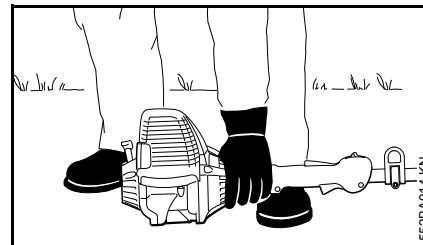
Arranque

- Pulse el bloqueo del gatillo y oprima el gatillo de aceleración.
- Manténgalos en esa posición.
- Mueva el control deslizante a **START** y manténgalo en esa posición.
- Ahora suelte el gatillo de aceleración, el control deslizante y el bloqueo del gatillo, en el orden indicado. Esta es la **posición de arranque del acelerador**.



- Ajuste la perilla del estrangulador (8)
- 


- Si el motor está frío para arranque en caliente – también utilice esta posición si el motor ha estado en marcha, pero todavía se encuentra frío.
- Oprima el bulbo (9) de la bomba de combustible por lo menos cinco veces, aunque el bulbo esté lleno de combustible.

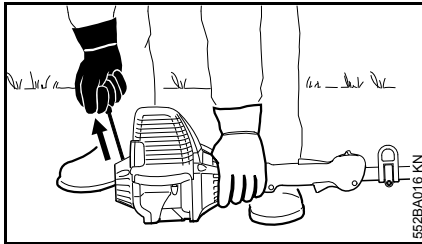
Arranque



- Coloque la herramienta motorizada sobre el suelo de modo que quede apoyada en el soporte de la máquina. Asegúrese que la herramienta no está tocando el suelo ni otros obstáculos. Vea también el capítulo "Arranque / parada del motor" en el manual de instrucciones del accesorio KombiTool.
- Asegúrese de tener los pies apoyados de modo seguro y firme.
- Sujete la máquina con la mano izquierda y empuje hacia abajo **firmemente** – el pulgar debe estar debajo de la caja.



No se pare ni se arrodele sobre el tubo de mando.



- Sujete el mango de arranque con la mano derecha.
- Tire lentamente del mango de arranque hasta que sienta el enganche del mismo y enseguida dele un tirón fuerte y rápido.



No tire de la cuerda de arranque totalmente hasta fuera, se podría romper.

- No deje que el mango de arranque salte bruscamente hacia atrás. Guíelo lentamente hacia el interior de la caja para que la cuerda de arranque se enrolle correctamente.
- Haga girar el motor hasta que empiece a encenderse. Luego de no más de **cinco intentos**, gire la palanca del estrangulador a $\underline{\text{I}}$.
- Siga intentando el arranque.

Tan pronto arranca

- Accione momentáneamente el gatillo de aceleración. El control deslizante se desplaza a la posición de marcha **I** y el motor regresa a aceleración de marcha en vacío.



Asegúrese de que el carburador esté correctamente ajustado. La herramienta no debe girar cuando el motor está funcionando a marcha en vacío.

Su máquina está lista para trabajar.

Parada del motor

- Empuje el control deslizante en el sentido de la flecha en el símbolo de parada (STOP) a **STOP-0**.

A temperaturas ambiente muy bajas:

Tan pronto arranca el motor:

- Accione momentáneamente el gatillo de aceleración para desconectarlo de la **posición de arranque**. El control deslizante se desplaza a la posición de marcha (**I**) y el motor regresa a aceleración de marcha en vacío.
- Abra el acelerador ligeramente.
- Caliente el motor durante un intervalo corto.

Si el motor no arranca

Perilla de estrangulador

Si no se movió la perilla del estrangulador a $\underline{\text{I}}$ en un tiempo suficientemente corto después que el motor empezó a encenderse, la cámara de combustión se encuentra "ahogada".

- Gire la perilla del estrangulador a $\underline{\text{I}}$.
- Ponga el control deslizante, la palanca de bloqueo y el gatillo de aceleración en la **posición de arranque**.
- Arranque el motor tirando de la cuerda de arranque rápidamente, pueden ser necesarios unos 10 a 20 tirones.

Si el motor todavía no arranca

- Mueva el control deslizante a **STOP-0**.
- Quite la bujía – vea "Bujía".
- Seque la bujía.
- Haga girar el motor varias veces con el arrancador para despejar la cámara de combustión.
- Vuelva a colocar la bujía – vea "Bujía".
- Mueva el control deslizante a **START**.
- Ponga la perilla del estrangulador en $\underline{\text{I}}$ – aun si el motor está frío.
- Ahora arranque el motor.

Ajuste del cable del acelerador

- Revise el ajuste del cable del acelerador – vea el capítulo "Ajuste del cable del acelerador".

Se agotó completamente el combustible en el tanque

- Después de llenar el tanque, oprima el bulbo de la bomba de combustible por lo menos cinco veces, aunque el bulbo esté lleno de combustible.
- Ajuste la perilla del estrangulador según la temperatura del motor.
- Arranque el motor.

Instrucciones para el uso

Durante el período de rodaje

Una máquina nueva de fábrica no debe hacerse funcionar a velocidad alta (aceleración máxima sin carga) por el lapso que tome llenar el tanque tres veces. Esto evita la imposición de cargas innecesariamente altas durante el período de rodaje. Ya que todas las piezas móviles deben asentarse durante el período de rodaje inicial, durante este tiempo la resistencia causada por fricción en el motor es más elevada. El motor desarrolla su potencia máxima después de haber llenado el tanque de 5 a 15 veces.

Durante el trabajo

Después de un período largo de funcionamiento con el acelerador a fondo, deje funcionar el motor por un rato en ralentí de modo que el calor en el motor sea disipado por la corriente de aire de enfriamiento. Esto ayuda a evitar que los componentes montados en el motor (encendido, carburador) sufran sobrecargas térmicas.

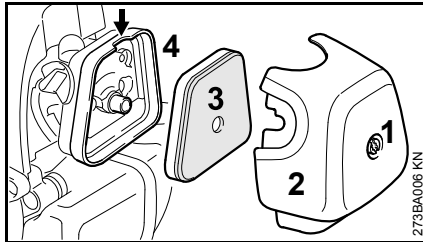
Después de terminar el trabajo

Almacenamiento por corto tiempo:
Espere hasta que el motor se enfríe.
Vacíe el tanque de combustible y guarde la máquina en un lugar seco, alejada de fuentes de encendido, hasta que la vuelva a utilizar. Para los

intervalos de almacenamiento por tiempo prolongado – vea "Almacenamiento de la máquina".

Limpieza del filtro de aire

Si se nota una pérdida considerable de la potencia del motor



- Gire la perilla del estrangulador a **I**
- Saque el tornillo (1) y quite la cubierta (2) del filtro.
- Limpie toda la suciedad de alrededor del filtro.
- Sujete el elemento (3) del filtro por la muesca (flecha) de la caja del filtro (4) y extráigalo.
- Coloque un elemento nuevo en el filtro. Como una medida provisoria, es posible limpiarlo golpeándolo en la palma de la mano o soplándolo con aire comprimido. No lo lave.
- Sustituya las piezas dañadas.

Instalación del filtro

- Instale el elemento en la caja del filtro y coloque la cubierta.
- Inserte el tornillo y apriételo bien firme.

Gestión del motor

Las emisiones de gases de escape son controladas por el diseño de parámetros y componentes fundamentales del motor (por ej. carburación, encendido, regulación y regulación de las válvulas o la lumbrera) sin la adición de ningún equipo importante.

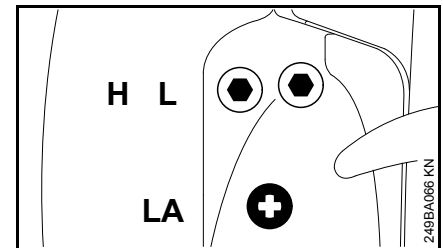
Ajuste del carburador

El carburador se ajusta en la fábrica al ajuste estándar.

Este ajuste provee una mezcla óptima de combustible y aire bajo la mayoría de las condiciones de funcionamiento.

Estas herramientas motorizadas tienen carburadores diferentes:

Versión A



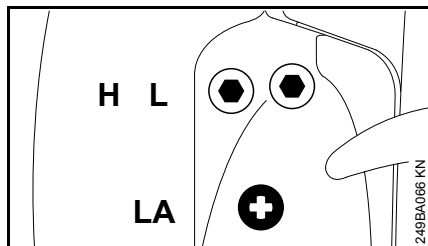
- Tornillo de velocidad alta y tornillo de velocidad baja con cabeza especial – sin cabeza para destornillador plano.

En estas versiones de la máquina ya no es necesario ajustar el carburador.

Estas máquinas han sido ajustadas en fábrica para formar una mezcla óptima de combustible-aire en todas las ubicaciones y condiciones de funcionamiento.

Ajuste de marcha en vacío

El motor se para cuando funciona a marcha en vacío



- Caliente el motor por aproximadamente 3 minutos.
- Gire el tornillo de ajuste de marcha en vacío (LA) lentamente en sentido horario hasta que el motor funcione de modo suave - el accesorio de corte no debe moverse.

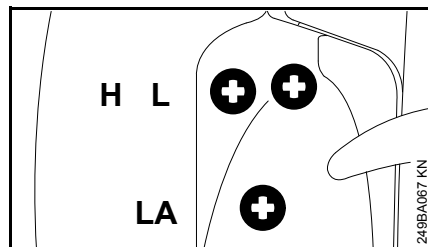
El accesorio de corte funciona cuando el motor está en marcha en vacío

- Gire el tornillo de ajuste de marcha en vacío (LA) lentamente en sentido contrahorario hasta que el accesorio de corte se detenga y luego gire el tornillo de 1/2 a 3/4 de vuelta adicional en el mismo sentido.



Si la herramienta o el accesorio de corte sigue girando cuando el motor está funcionando a marcha en vacío, pida a su concesionario de servicio que revise y repare la máquina.

Versión B

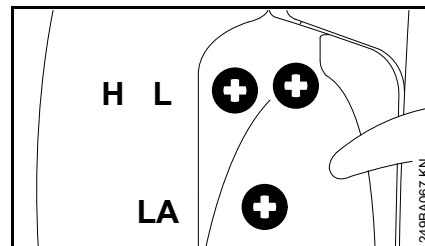


- Tornillos de velocidad alta y de velocidad baja para destornillador plano.

Con este carburador solamente es posible ajustar los tornillos de velocidad alta y baja dentro de una gama pequeña.

Ajuste estándar

- Parada del motor
- Instale el accesorio KombiTool completo con la herramienta o el accesorio de corte.
- Revise el filtro de aire y límpielo o sustitúyalo de ser necesario.
- Revise que el cable del acelerador esté debidamente ajustado – reajústelo de ser necesario – vea el capítulo "Ajuste del cable del acelerador".
- Revise el chispero del silenciador (no se instala en todas las versiones) y límpielo o sustitúyalo de ser necesario.



- Gire los dos tornillos de ajuste cuidadosamente en sentido contrahorario hasta que topen:
- Abra el tornillo de velocidad alta (H) 3/4 de vuelta.
- Abra el tornillo de velocidad baja (L) 3/4 de vuelta.
- Arranque el motor y caliente.
- Ajuste la velocidad de marcha en vacío con el tornillo (LA) hasta que el accesorio de corte deje de moverse.

Ajuste de marcha en vacío

Generalmente es necesario cambiar el ajuste del tornillo de ralentí (LA) después de cada corrección hecha al tornillo de velocidad baja (L).

- Caliente el motor por aproximadamente 3 minutos.

El motor se para cuando funciona a marcha en vacío

- Gire el tornillo de ajuste de marcha en vacío (LA) lentamente en sentido horario hasta que el motor funcione de modo suave - el accesorio de corte no debe moverse.

El accesorio de corte funciona cuando el motor está en marcha en vacío

- Gire el tornillo de ajuste de marcha en vacío (LA) lentamente en sentido contrahorario hasta que el accesorio de corte se detenga y luego gire el tornillo de 1/2 a 3/4 de vuelta adicional en el mismo sentido.



Si la herramienta o el accesorio de corte sigue girando cuando el motor está funcionando a marcha en vacío, pida a su concesionario de servicio que revise y repare la máquina.

Funcionamiento irregular a marcha en vacío, el motor se para aunque se ha corregido el ajuste del tornillo LA, aceleración inadecuada

Marcha en vacío con mezcla muy pobre

- Gire el tornillo de ajuste de velocidad baja (L) en sentido contrahorario, sin pasar más allá del tope, hasta que el motor funcione y se acelere de modo uniforme.

Funcionamiento irregular a marcha en vacío

Marcha en vacío con mezcla muy rica

- Gire el tornillo de ajuste de velocidad baja (L) en sentido horario, sin pasar más allá del tope, hasta que el motor funcione y se acelere de modo uniforme.

Versión B: Ajustes finos

Puede ser necesario efectuar un ajuste ligero del tornillo de velocidad alta (H) si la potencia del motor no es adecuada

para trabajar en grandes altitudes, al nivel del mar o después de cambiar la herramienta de corte.

Regla general:

Gire el tornillo de ajuste de velocidad alta (H) aproximadamente un cuarto de vuelta por cada 1000 metros (3300 pies) de cambio de altura.

Condiciones para ajuste

- Lleve a cabo el procedimiento de ajuste estándar sin cambiar la posición del tornillo de velocidad alta (H).
- Caliente el motor por aproximadamente 3 minutos.
- Abra el acelerador al máximo.

A grandes alturas

- Gire el tornillo de velocidad alta (H) en sentido horario (mezcla más pobre) hasta que no haya un aumento adicional de velocidad del motor (pero no más allá del tope).

Al nivel del mar

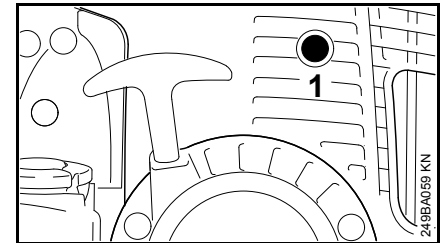
- Gire el tornillo de velocidad alta (H) en sentido contrahorario (mezcla más rica) hasta que no haya un aumento de velocidad del motor (pero no más allá del tope).

Es posible que se alcance la velocidad máxima del motor con el ajuste normal en cada caso.

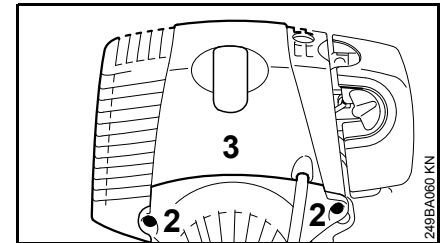
Chispero en el silenciador

En algunos países, el silenciador tiene un chispero.

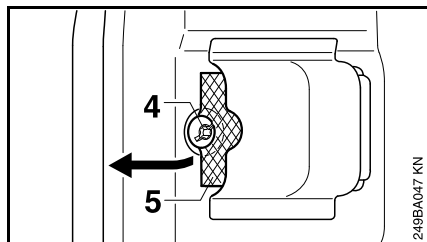
- Si el motor pierde potencia, revise el chispero del silenciador.
- Espere hasta que el silenciador se enfríe.
- Mueva el control deslizante a **STOP-0**.



- Saque el tornillo (1).



- Saque los tornillos (2) y quite la cubierta (3).



- Saque el tornillo (4).
- Levante el chispero (5) y tire del mismo para sacarlo.
- Limpie el chispero. Si el chispero está dañado o con depósitos gruesos de carbón, instale uno nuevo.
- Vuelva a instalar el chispero.
- Inserte el tornillo y apriételo bien firme.
- Instale la envuelta.

Bujía

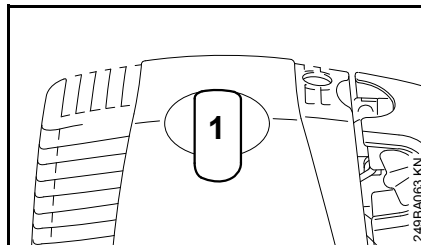
Si el motor pierde potencia, es difícil arrancarlo o funciona de modo irregular a ralentí, revise la bujía primero.

Instale una bujía nueva después de aprox. 100 horas de funcionamiento, o más temprano si los electrodos están muy gastados.

Si la mezcla del combustible es incorrecta (demasiado aceite en la gasolina), el filtro de aire está sucio, y las condiciones de trabajo no son favorables (especialmente a aceleraciones intermedias) se afecta la condición de la bujía. Estos factores permiten la formación de depósitos en la punta aislante, los cuales pueden perjudicar el rendimiento.

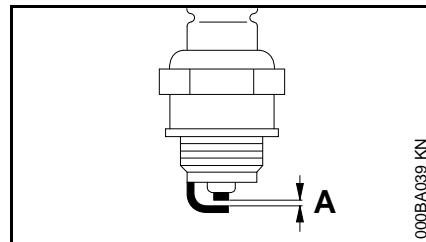
Retiro de la bujía

- Mueva el control deslizante a **STOP-0**.



- Quite el casquillo de la bujía (1).
- Destornille la bujía.

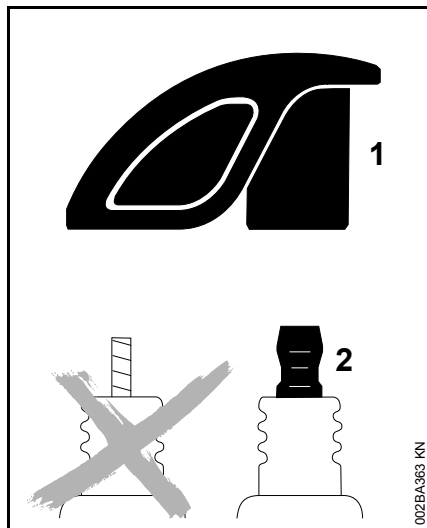
Revisión de la bujía



- Limpie la bujía si está sucia.
- Revise la separación entre electrodos (A) y ajústela de ser necesario – vea "Especificaciones".
- Utilice únicamente bujías tipo resistencia cuyo margen de rendimiento sea el aprobado.

Corrija los problemas que hayan causado la contaminación de la bujía:

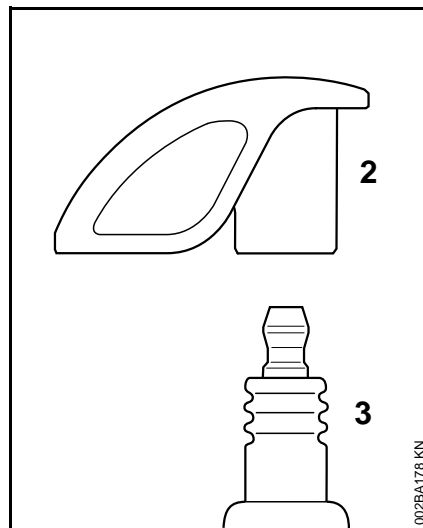
- Demasiado aceite en la mezcla de combustible.
- Filtro de aire sucio.
- Condiciones desfavorables de funcionamiento, por ejemplo, funcionando bajo carga parcial.



Advertencia!

Para reducir el riesgo de incendio y de quemaduras, utilice solamente las bujías autorizadas por STIHL. Siempre empuje el casquillo (1) de la bujía firmemente en el borne (2) del tamaño adecuado. (Nota: Si el borne tiene una tuerca adaptadora SAE desmontable, tiene que ser instalada.) Una conexión suelta entre el casquillo de la bujía y el conector del cable de encendido en el casquillo puede crear un arco voltaico y encender los vapores del combustible, provocando un incendio.

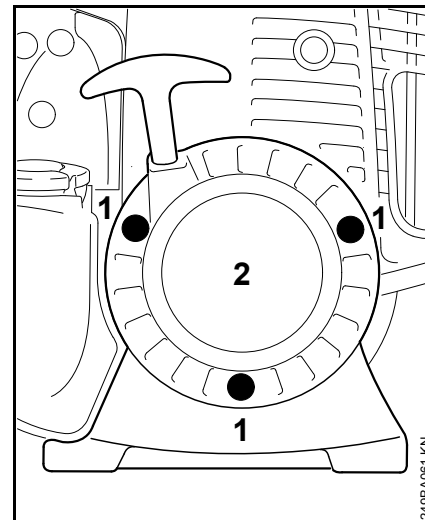
Instalación de la bujía



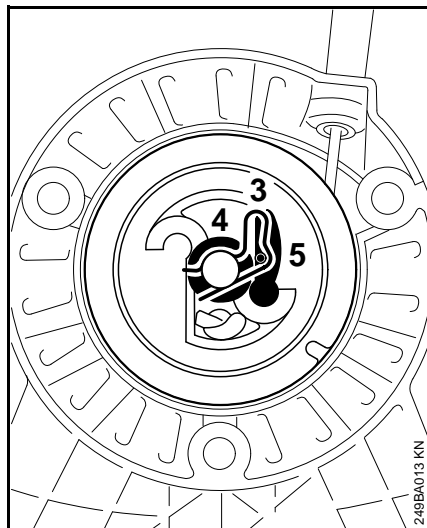
- Atornille la bujía (3) en el cilindro y coloque el casquillo (2) (empújelo firmemente).

Sustitución de la cuerda de arranque y del resorte de rebobinado

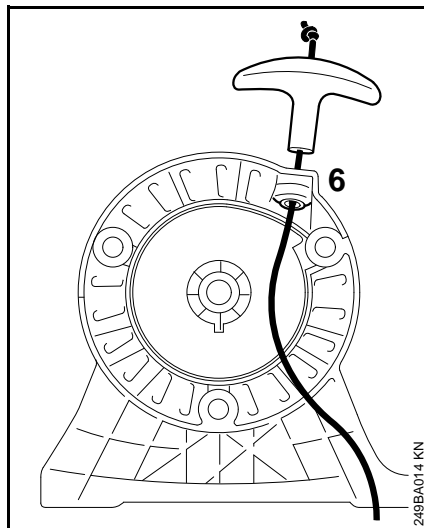
Sustitución de la cuerda de arranque



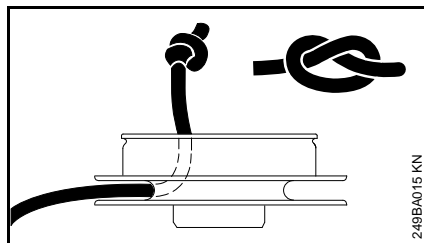
- Mueva el control deslizante en el sentido indicado por la flecha a **STOP-0**.
- Saque los tornillos (1).
- Quite la cubierta del arrancador (2) de la caja.



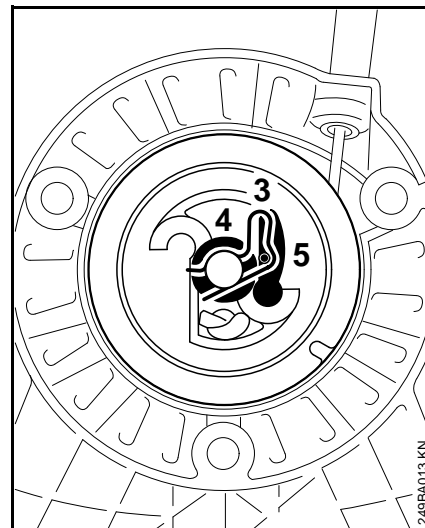
- Retire la pinza de resorte (3) del poste del arrancador.
- Quite cuidadosamente el rotor de la cuerda con la arandela (4) y el trinquete (5).
- Quite el resto de la cuerda del rotor y del mango de arranque.



- Haga un nudo de rizo sencillo en el extremo de la cuerda de arranque nueva y después pase la cuerda por la parte superior del mango y por el buje de la cuerda (6).



- Pase la cuerda a través del rotor y fíjela con un nudo de rizo simple.
- Cubra la cavidad del cojinete del rotor de la cuerda con aceite sin resina.
- Deslice el rotor sobre el poste del arrancador. Gírelo hacia uno y otro lado para engranar la espiral terminal del resorte de rebobinado.



- Instale el trinquete (5) en el rotor.
- Instale la arandela (4) en el poste del arrancador.
- Use un destornillador o alicates adecuados para instalar la pinza de resorte (3) en el poste del arrancador y sobre el vástago del trinquete – la pinza de resorte debe apuntar en sentido contrahorario como se muestra en la ilustración.
- Pase a "Tensado del resorte de rebobinado".

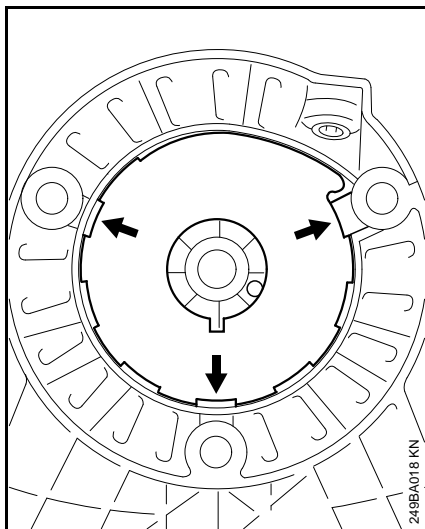
Sustitución de un resorte de rebobinado roto

- Quite el rotor de la cuerda de la forma descrita en "Sustitución de la cuerda de arranque".



Los pedazos de resorte todavía pueden estar bajo tensión y podrían salir lanzados cuando los saque de la caja. Para reducir el riesgo de lesionarse, póngase un protector facial y guantes gruesos.

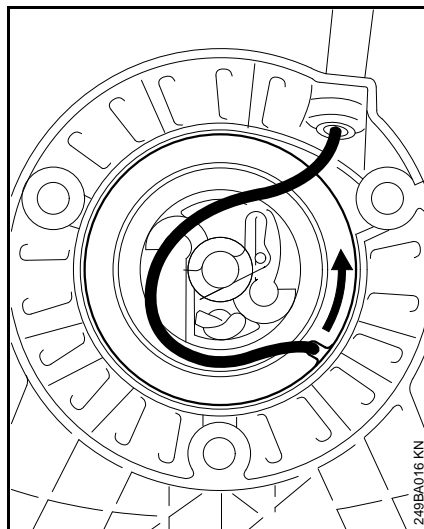
- Retire la caja de resorte y las piezas del resorte
- Lubrique el resorte nuevo con unas cuantas gotas de aceite sin resina.



- Posicione la caja de resorte nueva, con la placa inferior orientada hacia arriba, contra los rebajos (flechas).
- Empuje la caja de resorte en la cubierta del arrancador

- Vuelva a instalar el rotor de la cuerda y luego pase a "Tensado del resorte de rebobinado".
- Si el resorte se sale y se desenrolla: vuélvalo a instalar en sentido contrahorario - empiece en el exterior y trabaje hacia el interior.

Tensado del resorte de rebobinado



- Forme un bucle con la cuerda de arranque sin enrollar y utilícelo para girar el rotor seis revoluciones completas en el sentido de la flecha.
- Sujete firmemente el rotor. Tire y enderece la cuerda torcida.
- Suelte el rotor.
- Suelte lentamente la cuerda para que se enrolle en el rotor. El mango de arranque debe quedar firmemente en el buje para la cuerda. Si el mango cae hacia un

lado: Déle una vuelta adicional al rotor de la cuerda para aumentar la tensión del resorte.

- Cuando la cuerda de arranque se extiende completamente, debe ser posible girar el rotor media vuelta adicional. En caso contrario, el resorte está sobretensado y podría romperse: Quítele una vuelta de la cuerda al rotor.
- Instale la cubierta del arrancador en el motor.
- Apriete los tornillos firmemente.

Almacenamiento de la máquina

Para intervalos de 3 meses o más

- Vacíe y limpie el tanque de combustible en una zona bien ventilada.
- Deseche el combustible de acuerdo con los requerimientos locales de protección del medio ambiente.
- Haga funcionar el motor hasta que el carburador se seque. Esto ayuda a evitar que los diafragmas del carburador se peguen.
- Limpie la máquina a fondo - preste atención especial a las aletas del cilindro y al filtro de aire.
- Retire, limpie e inspeccione la herramienta.
- Guarde la máquina en un lugar seco y elevado, o bajo llave, fuera del alcance de los niños y de otras personas no autorizadas.

Información para mantenimiento

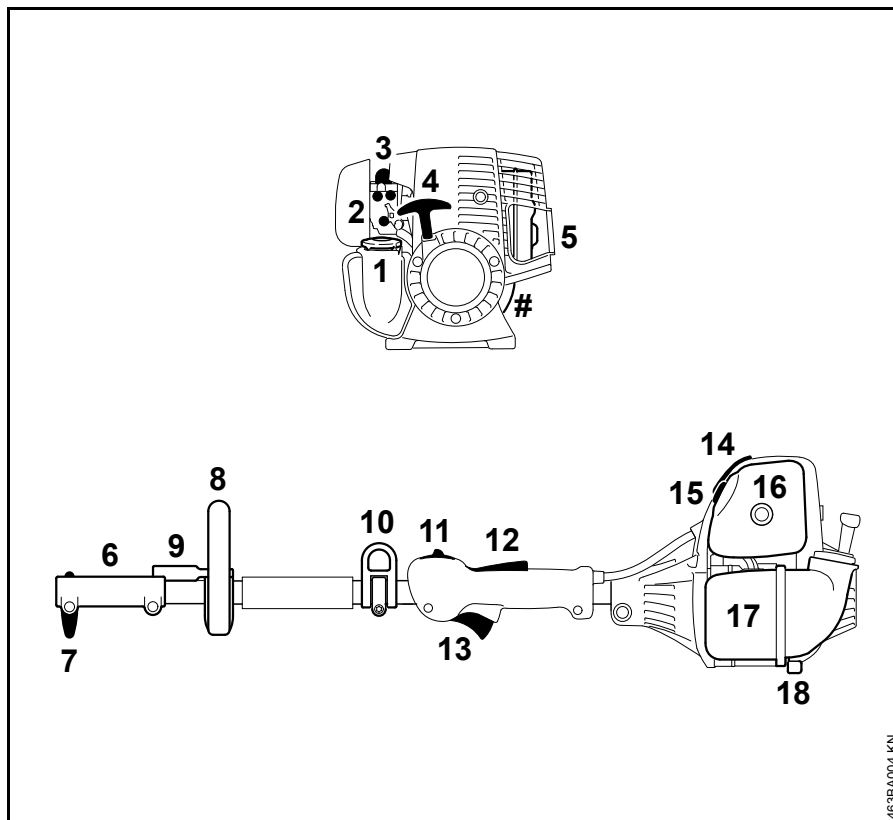
| Los intervalos dados a continuación corresponden únicamente a condiciones normales de trabajo. Si el tiempo de trabajo por jornada es más largo que lo normal, o si las condiciones son extremas (zonas polvorientas, etc.), acorte los intervalos indicados de modo correspondiente. | | antes de comenzar el trabajo | después de terminar el trabajo o diariamente | después de cada parada para cargar combustible | semanalmente | mensualmente | cada 12 meses | si hay problema | si tiene daños | si se requiere |
|---|---|------------------------------|--|--|--------------|--------------|---------------|-----------------|----------------|----------------|
| Máquina completa | Inspección visual (condición general, fugas) | X | | X | | | | | | |
| | Limpiar | | X | | | | | | | |
| Mango de control | Comprobar el funcionamiento | X | | X | | | | | | |
| Filtro de aire | Limpiar | | | | | | | X | | X |
| | Reemplazar | | | | | | | | X | |
| Recogedor en tanque de combustible | Solicitar al concesionario de servicio su revisión ¹⁾ | | | | | | | X | | |
| | Solicitar al concesionario de servicio su sustitución ¹⁾ | | | | | X | | | X | X |
| Tanque de combustible | Limpiar | | | | | | | X | | X |
| Carburador | Comprobar ajuste de marcha en vacío – la herramienta no debe moverse | X | | X | | | | | | |
| | Ajuste de marcha en vacío | | | | | | | | | X |
| Bujía | Ajustar la distancia entre electrodos | | | | | | | X | | |
| | Cambiar después de aprox. cada 100 horas de funcionamiento | | | | | | | | | |
| Entradas de enfriamiento | Inspección visual | | X | | | | | | | |
| | Limpiar | | | | | | | | | X |
| Juego libre de válvulas ¹⁾ | Revisar y ajustar de ser necesario, después de las primeras 139 horas de funcionamiento | | | | | | | | | X |
| Cámara de combustión ^{1) 2)} | Descarbonizar después de las primeras 139 horas de funcionamiento, y luego cada 150 horas | | | | | | | | | X |
| Chispero en silenciador | Revisar | | X | | | | | X | | |
| | Limpiar o reemplazar | | | | | | | | X | X |

| Los intervalos dados a continuación corresponden únicamente a condiciones normales de trabajo. Si el tiempo de trabajo por jornada es más largo que lo normal, o si las condiciones son extremas (zonas polvorientas, etc.), acorte los intervalos indicados de modo correspondiente. | | antes de comenzar el trabajo | después de terminar el trabajo o diariamente | después de cada parada para cargar combustible | semanalmente | mensualmente | cada 12 meses | si hay problema | si tiene daños | si se requiere |
|---|---|------------------------------|--|--|--------------|--------------|---------------|-----------------|----------------|----------------|
| Todos los tornillos y tuercas accesibles (salvo los tornillos de ajuste) | Volver a apretar | | | | | | | | | X |
| Elementos antivibración | Revisar | X | | | | | | X | | X |
| | Solicitar al concesionario de servicio su sustitución ¹⁾ | | | | | | | | X | |
| Etiquetas de seguridad | Reemplazar | | | | | | | | X | |

¹⁾ STIHL recomienda acudir a un concesionario STIHL para servicio.

²⁾ Sólo motores con licencia según CARB

Componentes importantes



- 1 Tapa de llenado de combustible
- 2 Tornillos de ajuste del carburador
- 3 Bomba de combustible
- 4 Mango de arranque
- 5 Silenciador con chispero
- 6 Manguito de acoplamiento
- 7 Tornillo mariposa
- 8 Mango tórico
- 9 Barra de defensa
- 10 Argolla de transporte
- 11 Control deslizante
- 12 Bloqueo de gatillo de aceleración
- 13 Gatillo de aceleración
- 14 Casquillo de bujía
- 15 Perilla de estrangulador
- 16 Tapa del filtro de aire
- 17 Tanque de combustible
- 18 Apoyo de la máquina
- # Número de serie

463BA004 KN

Definiciones

- 1 Tapa de llenado de combustible**
Para tapar el tanque de combustible.
- 2 Tornillos de ajuste del carburador**
Para afinar el carburador.
- 3 Bomba de combustible**
Suministra alimentación adicional de combustible para el arranque en frío.
- 4 Mango de arranque**
El mango del arrancador usado para arrancar el motor.
- 5 Silenciador con chispero**
El silenciador reduce los ruidos del tubo de escape y desvía los gases de escape lejos del operador. El chispero está diseñado para reducir el riesgo de incendios.
- 6 Manguito de acoplamiento**
Conecta el tubo de mando a la parte inferior del tubo de mando (eje corto).
- 7 Tornillo mariposa**
Sujeta la parte inferior del tubo de mando (eje corto).
- 8 Mango tórico**
Para facilitar el control de la máquina durante el proceso de corte.
- 9 Barra de defensa**
Ayuda a mantener los pies y piernas del usuario lejos del accesorio de corte.
- 10 Argolla de transporte**
Conecta la unidad al arnés.

- 11 Control deslizante**
Para aceleración de arranque, marcha y parada. Mantiene el estrangulador parcialmente abierto durante el arranque y apaga el encendido del motor para detener su marcha.
- 12 Bloqueo de gatillo de aceleración**
Debe ser oprimido antes de poder activar el gatillo de aceleración.
- 13 Gatillo de aceleración**
Regula la velocidad del motor.
- 14 Casquillo de bujía**
Conecta la bujía al alambre de encendido.
- 15 Perilla de estrangulador**
Facilita el arranque del motor al enriquecer la mezcla.
- 16 Tapa del filtro de aire**
Cubre y protege el elemento del filtro de aire.
- 17 Tanque de combustible**
Contiene la mezcla de combustible y aceite.
- 18 Apoyo de la máquina**
Para apoyar la máquina en el suelo.

Especificaciones

EPA / CEPA

El período de cumplimiento de emisiones indicado en la etiqueta de cumplimiento de emisiones es la cantidad de horas de funcionamiento para la cual la máquina ha demostrado la conformidad con los requerimientos de emisiones del Gobierno federal de los EE.UU.

Categoría

A = 300 horas

B = 125 horas

C = 50 horas

CARB

El período de cumplimiento de emisiones empleado en la etiqueta del índice de aire CARB tiene las siguientes definiciones:

Extended = 300 horas

Intermediate = 125 horas

Moderate = 50 horas

Motor

Motor de un cilindro, cuatro tiempos, lubricado por una mezcla de gasolina con aceite

KM 110 R

| | |
|------------------------------------|--|
| Cilindrada: | 31,4 cm ³ (1,92 pulg cúb.) |
| Diámetro: | 40 mm (1,57 pulg) |
| Carrera: | 25 mm (0,98 pulg) |
| Potencia del motor según ISO 8893: | 1,05 kW (1,40 hp) a 7000 rpm |
| Marcha en vacío: | 2800 rpm |
| Velocidad de corte (nominal): | 10500 rpm |

KM 130 R

| | |
|------------------------------------|--|
| Cilindrada: | 36,3 cm ³ (2,22 pulg cúb.) |
| Diámetro: | 43 mm (1,69 pulg) |
| Carrera: | 25 mm (0,98 pulg) |
| Potencia del motor según ISO 8893: | 1,4 kW (1,90 hp) a 8500 rpm |
| Marcha en vacío: | 2800 rpm |
| Velocidad de corte (nominal): | 10500 rpm |

Sistema de encendido

Encendido por magneto electrónico

KM 110 R

| | |
|-----------------------------|-----------------------|
| Bujía(tipo resistencia): | Bosch USR 7AC |
| Distancia entre electrodos: | 0,5 mm (0,02 pulg) |

KM 130 R

| | |
|-----------------------------|-----------------------|
| Bujía(tipo resistencia): | NKG CMR 6H |
| Distancia entre electrodos: | 0,5 mm (0,02 pulg) |

Sistema de combustible

Carburador de diafragma de todas posiciones con bomba de combustible integral

| | |
|--------------------------------------|------------------------|
| Capacidad del tanque de combustible: | 0,53 l (17,9 fl.oz) |
|--------------------------------------|------------------------|

Peso

seco, sin accesorio KombiTool

| | |
|-----------|---------------------|
| KM 110 R: | 4,5 kg (9,9 lb) |
| KM 130 R: | 4,6 kg (10,1 lb) |


Accesorios especiales

Comuníquese con su concesionario STIHL para información acerca de accesorios especiales que pueden estar disponibles para su producto.

Información de reparación

Los usuarios de esta máquina deben efectuar únicamente los trabajos de mantenimiento descritos en este manual. Solamente los talleres autorizados por STIHL deben llevar a cabo los demás trabajos de reparación.

Los reclamos de garantía presentados después de realizadas las reparaciones serán aceptados únicamente si las mismas fueron ejecutadas por un concesionario de servicio autorizado STIHL utilizando piezas de repuesto originales de STIHL.

Es posible identificar las piezas originales de STIHL por el número de pieza STIHL, el logotipo de **STIHL**® y, en ciertos casos, el símbolo  de piezas STIHL. En las piezas pequeñas el símbolo puede aparecer solo.

Declaración de garantía de STIHL Incorporated sobre sistemas de control de emisiones según normas Federales

No para California

Sus derechos y obligaciones de garantía

La Agencia de Protección del Medio Ambiente (EPA) de los EE.UU. y STIHL Incorporated se complacen en explicarle la garantía del sistema de control de emisiones instalado en el motor de su equipo. En los EE.UU., los nuevos motores pequeños para equipos de uso fuera de carretera modelos 1997 y posteriores deben estar diseñados, contruidos y equipados, al tiempo de la venta, de conformidad con los reglamentos de la EPA de los EE.UU. para los motores pequeños de uso fuera de carretera. El motor del equipo debe carecer de defectos en el material y la fabricación que puedan causar el incumplimiento de las normas de la EPA de los EE.UU. durante los primeros dos años de uso del motor a partir de la fecha de compra por el último comprador.

STIHL Incorporated debe garantizar el sistema de control de emisiones en el motor pequeño para uso fuera de carretera por el intervalo mencionado más arriba, siempre que dicho motor no haya estado sujeto a maltrato, negligencia o cuidado inapropiado.

El sistema de control de emisiones de su máquina incluye piezas tales como el carburador y el sistema de encendido. Además puede incluir mangueras, conectores y otros conjuntos asociados con el control de emisiones.

En los casos de existir una condición amparada bajo garantía, STIHL Incorporated reparará el motor pequeño para equipo de uso fuera de carretera sin costo alguno, incluido el diagnóstico (si el trabajo de diagnóstico fue realizado por un concesionario autorizado), las piezas y la mano de obra.

Cobertura de garantía del fabricante

En los EE.UU., los motores pequeños para equipos de uso fuera de carretera modelos 1997 y posteriores también están garantizados por dos años. En el caso de encontrarse defectos en cualquiera de las piezas del motor relacionadas con el sistema de control de emisiones, la pieza será reparada o sustituida por STIHL Incorporated sin costo alguno.

Responsabilidades del usuario relativas a la garantía

Como propietario de motor pequeño para equipo de uso fuera de carretera, usted tiene la responsabilidad de realizar el mantenimiento requerido descrito en su manual de instrucciones. STIHL Incorporated le recomienda guardar todos los recibos comprobantes de los trabajos de mantenimiento hechos a su motor pequeño para equipo de uso fuera de carretera, pero STIHL Incorporated no puede negar garantía basado en el solo hecho de faltar los

recibos o del incumplimiento del propietario de realizar todos los trabajos de mantenimiento programados.

El uso de cualquier pieza de repuesto o servicio cuyo comportamiento y durabilidad sean equivalentes está permitido en trabajos de mantenimiento o reparación no contemplados en la garantía, y no reducirá las obligaciones de la garantía del fabricante del motor.

Sin embargo, como propietario del motor pequeño para equipo de uso fuera de carretera usted debe ser consciente de que STIHL Incorporated puede negarle cobertura de garantía si dicho motor o una pieza del mismo ha fallado debido a maltrato, descuido, mantenimiento inadecuado o modificaciones no autorizadas.

Usted es responsable de llevar el motor pequeño para equipo de uso fuera de carretera a un centro de servicio STIHL tan pronto surja el problema. Las reparaciones bajo garantía serán realizadas en un tiempo razonable, sin exceder de 30 días.

Ante cualquier duda respecto a sus derechos y responsabilidades bajo esta garantía, sírvase contactar al representante de atención al cliente STIHL llamando al 1-800-467-8445, o si lo prefiere puede escribir a

STIHL Inc.,
536 Viking Drive, P.O. Box 2015,
Virginia Beach, VA 23450-2015 EE.UU.
www.stihlusa.com

Cobertura por STIHL Incorporated

STIHL Incorporated garantiza al último comprador y a cada comprador subsiguiente que el motor pequeño para

equipo de uso fuera de carretera está diseñado, construido y equipado, al tiempo de la venta, de conformidad con todos los reglamentos aplicables. Además, STIHL Incorporated garantiza al comprador inicial y a cada comprador subsiguiente que el motor está libre de defectos en el material y fabricación que puedan causar el incumplimiento de los reglamentos aplicables durante un período de dos años.

Período de garantía

El período de garantía comienza en la fecha en que el motor del equipo utilitario es entregado a usted y usted firma y remite la tarjeta de garantía a STIHL.

Si cualquier componente relacionado con el sistema de control de emisiones está defectuoso, el mismo será sustituido por STIHL Incorporated sin costo alguno para el propietario. Cualquier pieza garantizada cuyo reemplazo no está programado como mantenimiento requerido, o que debe recibir únicamente inspección regular en el sentido de "reparar o sustituir según sea necesario", estará garantizada por el período de garantía. Cualquier pieza cuyo reemplazo está programado como mantenimiento requerido estará garantizada por el intervalo hasta el primer punto de reemplazo programado para esa pieza.

Diagnóstico

Como propietario, a usted no se le debe cobrar la mano de obra por los diagnósticos que determinen que una pieza garantizada está defectuosa. No obstante, si usted reclama garantía para un componente y se comprueba que la

máquina no está defectuosa, STIHL Incorporated le cobrará el costo de la prueba del sistema de control de emisiones. El trabajo de diagnóstico mecánico se realiza en un centro de servicio autorizado por STIHL. La prueba del sistema de control de emisiones se realiza ya sea en la fábrica de STIHL Incorporated o en un laboratorio de ensayos independiente.

Trabajo bajo garantía

STIHL Incorporated reparará los defectos amparados por la garantía en cualquier estación de garantía o centro de servicio autorizado por STIHL. Todo trabajo de este tipo se hará gratis para el propietario siempre que se determine que la pieza cubierta por la garantía está defectuosa.

Se puede usar cualquier pieza de repuesto aprobada por el fabricante o equivalente en las piezas relacionadas con el sistema de control de emisiones, y debe ser suministrada gratis al propietario. STIHL Incorporated es responsable por daños a otros componentes del motor causados por la falla de una pieza garantizada que todavía está bajo garantía.

La lista siguiente define específicamente las piezas garantizadas y relacionadas con las emisiones:

- Filtro de aire
- Carburador
- Bomba de combustible
- Estrangulador (sistema de refuerzo para arranque en frío)
- Varillajes de control

- Múltiple de admisión
- Magneto o sistema de encendido electrónico (módulo de encendido)
- Bujía
- Convertidor catalítico (si lo tiene)
- Tanque de combustible
- Tapa de tanque de combustible
- Línea de combustible
- Adaptadores de línea de combustible
- Abrazaderas
- Sujetadores/pernos

Dónde presentar el reclamo para servicio bajo garantía

Lleve el producto a cualquier centro de servicio autorizado por STIHL y presente la tarjeta de garantía firmada.

Requerimientos de mantenimiento

Las instrucciones presentadas en este manual se basan en la aplicación de la mezcla recomendada para motores de 2 tiempos (vea también la instrucción "Combustible"). Las discrepancias de estas recomendaciones con respecto a la calidad y la proporción de la mezcla de combustible y aceite pueden exigir intervalos de mantenimiento más cortos.

Limitaciones

Esta garantía de los sistemas de control de emisiones no cubrirá ninguno de los puntos siguientes:

- reparación o sustitución requerida debido a maltrato, negligencia o falta del mantenimiento requerido,
 - reparaciones mal hechas o sustituciones contrarias a las especificaciones de STIHL Incorporated que afecten desfavorablemente el funcionamiento y/o la durabilidad, y las alteraciones o modificaciones no recomendadas o aprobadas por escrito por STIHL Incorporated,
- y
- la sustitución de piezas y otros servicios y ajustes necesarios para el mantenimiento requerido en y después del primer punto de reemplazo programado.

Declaración de garantía de STIHL Incorporated sobre el control de emisiones de gases de escape y emisiones por evaporación para el Estado de California

Solamente para California

Sus derechos y obligaciones de garantía

El Consejo de Recursos del Aire del Estado de California (CARB) y STIHL Incorporated se complacen en explicarle la Garantía del sistema de control de emisiones instalado en el motor de su equipo de uso fuera de carretera para el año 2007 y posteriores.

En California, el equipo nuevo que tiene motores pequeños para uso fuera de carretera debe estar diseñado, construido y equipado de conformidad con las rigurosas normas de contaminación del aire del estado. STIHL Incorporated debe garantizar el sistema de control de emisiones en el motor pequeño para uso fuera de carretera por el intervalo mencionado más arriba, siempre que dicho motor pequeño para uso fuera de carretera no haya estado sujeto a maltrato, negligencia o cuidado inapropiado.

El sistema de control de emisiones puede contar con los siguientes componentes:

Filtro de aire, carburador, bomba de combustible, estrangulador (sistema de enriquecimiento para arranque en frío), varillaje de control, colector de

admisión, magneto o sistema de encendido electrónico (módulo de encendido), bujía, convertidor catalítico (si lo tiene), tanque de combustible, tapa de tanque de combustible, línea de combustible, adaptadores de líneas de combustible, abrazaderas y sujetadores.

En los casos de existir una condición amparada bajo garantía, STIHL Incorporated reparará el motor pequeño para equipo de uso fuera de carretera sin costo alguno, incluido el diagnóstico, las piezas y la mano de obra.

Responsabilidades del fabricante relativas a la garantía

El sistema de control de emisiones tiene una garantía de dos años en California. En el caso de encontrarse defectos en cualquiera de los componentes del motor relacionados con el sistema de control de emisiones, el mismo será reparado o sustituido por STIHL Incorporated sin costo alguno.

Responsabilidades del propietario relativas a la garantía

Como propietario de motor pequeño para equipo de uso fuera de carretera, usted tiene la responsabilidad de realizar el mantenimiento requerido descrito en su manual de instrucciones. STIHL Incorporated le recomienda guardar todos los recibos comprobantes de los trabajos de mantenimiento hechos a su motor pequeño para equipo de uso fuera de carretera, pero STIHL Incorporated no puede negar garantía basado en el solo hecho de faltar los recibos o de su incumplimiento de realizar todos los trabajos de mantenimiento programados.

Sin embargo, como propietario del motor pequeño para equipo de uso fuera de carretera usted debe ser consciente de que STIHL Incorporated puede negarle cobertura de garantía si dicho motor o un componente del mismo ha fallado debido a maltrato, descuido, mantenimiento inadecuado o modificaciones no autorizadas.

Usted es responsable de llevar el motor pequeño para equipo de uso fuera de carretera a un concesionario de servicio STIHL tan pronto surja el problema. Las reparaciones bajo garantía deben realizarse en un tiempo razonable, sin exceder de 30 días. Ante cualquier duda respecto a sus derechos y responsabilidades bajo esta garantía, sírvase contactar al representante de atención al cliente STIHL llamando al 1-800-467-8445, o si lo prefiere puede escribir a

STIHL Inc., 536 Viking Drive,
P.O. Box 2015,
Virginia Beach, VA 23450-2015 EE.UU.

Cobertura por STIHL Incorporated

STIHL Incorporated garantiza al último comprador y a cada comprador subsiguiente que el motor pequeño para equipo de uso fuera de carretera está diseñado, construido y equipado, al tiempo de la venta, de conformidad con todos los reglamentos acerca de emisiones aplicables.

Además, STIHL Incorporated garantiza al comprador inicial y a cada comprador subsiguiente que el motor está libre de defectos en el material y fabricación que puedan causar el incumplimiento de los

reglamentos acerca de emisiones aplicables durante un período de dos años.

Período de garantía contra defectos

Los períodos de garantía comenzarán el día en que el motor de equipo utilitario es comprado por el comprador inicial. Si cualquier componente relacionado con el sistema de control de emisiones está defectuoso, el mismo será sustituido por STIHL Incorporated sin costo alguno para el propietario.

No se permite usar componentes adicionales o modificados que no hayan sido eximidos por el Consejo de Recursos del Aire (CARB). El uso de cualquier componente adicional o modificado no eximido será motivo para la denegación del reclamo bajo garantía. STIHL Incorporated no es responsable por las fallas de los componentes garantizados causadas por el uso de un componente adicional o modificado no eximido.

La garantía de los componentes relacionados con el control de emisiones se interpretará de la manera siguiente:

1. Cualquier componente garantizado cuyo reemplazo no está programado como mantenimiento requerido en las instrucciones escritas requeridas en la Lista de Piezas bajo la Garantía de Control de Emisiones (vea más abajo) debe garantizarse por el período de garantía definido en la subsección COBERTURA POR STIHL INCORPORATED, vea más arriba. Si uno de estos componentes falla durante el período de garantía, el

fabricante debe reparar o sustituir el mismo de acuerdo con la subsección (4) más abajo. Un componente reparado o sustituido bajo la garantía debe garantizarse durante el resto del período de garantía.

2. Cualquier componente garantizado que solamente debe inspeccionarse periódicamente de acuerdo con las instrucciones escritas requeridas en la Lista de Piezas bajo la Garantía de Control de Emisiones (vea más abajo) debe garantizarse por el período de garantía definido en la subsección COBERTURA POR STIHL INCORPORATED, vea más arriba. Una declaración en las instrucciones escritas tal como "reparar o sustituir según sea necesario" no acortará el período de cobertura de garantía. Un componente de este tipo reparado o sustituido bajo la garantía debe garantizarse durante el resto del período de garantía.
3. Cualquier componente garantizado que debe sustituirse como un elemento de mantenimiento requerido en las instrucciones escritas requeridas por la lista de piezas bajo la garantía de control de emisiones (vea más abajo) debe garantizarse por el intervalo antes del primer punto de sustitución programado para este componente. Si el componente falla antes del primer punto de sustitución programado, el fabricante del motor debe reparar o sustituir el mismo de acuerdo con la subsección (4) más abajo. Un componente de este tipo

reparado o sustituido bajo la garantía debe garantizarse durante el resto del período de garantía antes del primer punto de sustitución programado para el componente.

4. La reparación o sustitución de cualquier componente garantizado debe llevarse a cabo en una estación de reparaciones bajo garantía sin costo alguno para el propietario.
5. No obstante lo expuesto en la subsección (4) de arriba, los servicios o las reparaciones bajo garantía pueden obtenerse en todos los centros de distribución del fabricante autorizados para dar servicio a los motores en cuestión.
6. Al propietario no se le debe cobrar el trabajo del diagnóstico que establece que el componente garantizado es de hecho defectuoso, a condición de que tal trabajo de diagnóstico se realice en una estación de reparaciones bajo garantía.

Trabajo bajo garantía

STIHL Incorporated reparará los defectos amparados por la garantía en cualquier estación de garantía o centro de servicio autorizado por STIHL. Todo trabajo de este tipo se hará gratis para el propietario siempre que se determine que la pieza cubierta por la garantía está defectuosa. Se puede usar cualquier pieza de repuesto aprobada por el fabricante o equivalente para el mantenimiento o la reparación de los componentes relacionados con el sistema de control de emisiones, y la

misma debe ser suministrada gratis al propietario. STIHL Incorporated es responsable por daños a otros componentes del motor causados por la falla de una pieza garantizada que todavía está bajo garantía.

Lista de piezas bajo la garantía de emisiones

Filtro de aire, carburador, bomba de combustible, estrangulador (sistema de enriquecimiento para arranque en frío), varillaje de control, colector de admisión, magneto o sistema de encendido electrónico (módulo de encendido), bujía, convertidor catalítico (si lo tiene), tanque de combustible, tapa de tanque de combustible, línea de combustible, adaptadores de líneas de combustible, abrazaderas y sujetadores

Dónde presentar el reclamo para servicio bajo garantía

Lleve el producto de STIHL a cualquier concesionario de servicio autorizado por STIHL y presente la tarjeta de registro de producto STIHL firmado o la copia impresa del registro electrónico del producto.

Limitaciones

La reparación o la sustitución de cualquier componente garantizado y normalmente abarcado por la garantía se puede excluir de la garantía si STIHL Incorporated demuestra el maltrato, negligencia o mantenimiento incorrecto del producto de STIHL, y que tal maltrato, negligencia, o mantenimiento incorrecto era la causa directa de la necesidad de reparación o sustitución del componente. A pesar de lo anterior, el ajuste de un componente que tiene un

dispositivo limitador instalado en fábrica y funcionando correctamente no perjudicará la cobertura bajo garantía.

Marcas comerciales

Marcas registradas de STIHL

STIHL®

STIHL®



La combinación de colores anaranjado-gris (Números de registro EE.UU. 2,821,860; 3,010,057, 3,010,058, 3,400,477; y 3,400,476)



4-MIX®

AUTOCUT®

EASYSTART®

FARM BOSS®

iCademy®

MAGNUM®

MasterWrench Service®

MotoMix®

OILOMATIC®

STIHL Cutquik®

STIHL DUROMATIC®

STIHL Quickstop®

STIHL ROLLOMATIC®

STIHL WOOD BOSS®

TIMBERSPORTS®

WOOD BOSS®

YARD BOSS®

Algunos de las marcas comerciales de STIHL por ley común



BioPlus™

Easy2Start™

EasySpool™

ElastoStart™

Ematic™

FixCut™

HT Plus™

IntelliCarb™

Master Control Lever™

Micro™

Pro Mark™

Quad Power™

Quiet Line™

STIHL Arctic™

STIHL Compact™

STIHL HomeScaper Series TM

STIHL Interchangeable Attachment
Series TM

STIHL M-Tronic TM

STIHL MiniBoss TM

STIHL MotoPlus 4 TM

STIHL Multi-Cut HomeScaper Series TM

Stihl Outfitters TM

STIHL PICCO TM

STIHL PolyCut TM

STIHL PowerSweep TM

STIHL Precision Series TM

STIHL Protech TM

STIHL RAPID TM

STIHL SuperCut TM

STIHL Territory TM

TapAction TM

TrimCut TM

Esta lista de marcas comerciales está
sujeta a cambios.

Queda terminantemente prohibido todo
uso de estas marcas comerciales sin el
consentimiento expreso por escrito de
ANDREAS STIHL AG & Co. KG,
Waiblingen.

 **WARNING!**

The engine exhaust from this product contains chemicals known to the State of California to cause cancer, birth defects or other reproductive harm.

 **ADVERTENCIA!**

El gas de escape del motor de esta máquina contiene productos químicos que en el estado de California son considerados como causantes de cáncer, defectos de nacimiento u otros efectos nocivos para los órganos de la reproducción.

0458-464-8621-E

englisch / spanisch USA



www.stihl.com



0458-464-8621-E