

## STIHL KW

### Instruction Manual Manual de instrucciones

**Warning!**

For safe operation follow all safety precautions in Instruction Manual - improper use can cause serious injury.

**Advertencia!**

Para su seguridad durante el manejo de este producto, siga siempre las precauciones de seguridad dadas en el manual de instrucciones - el uso indebido puede causar lesiones graves.



## Contents

Guide to Using this Manual .....	2
Safety Precautions and Working Techniques .....	3
Using the PowerSweep .....	10
Approved Basic Power Tools .....	11
Installing the Gearbox .....	11
Mounting Sweeper Drums .....	12
Mounting the Loop Handle .....	13
Fitting Carrying Eye (Clamp) .....	14
Fitting the Harness .....	15
Balancing the Machine .....	15
Starting / Stopping the Engine .....	16
Operating Instructions .....	17
Storing the Machine .....	17
Replacing Sweeper Drum .....	17
Replacing the Rubber Sleeve .....	18
Removing the Gearbox .....	18
Main Parts .....	19
Specifications .....	19
Special Accessories .....	20
Maintenance and Repairs .....	20

Allow only persons who understand this Manual to operate your PowerSweep attachment.

To receive maximum performance and satisfaction from your STIHL PowerSweep attachment, it is important that you read and understand the maintenance and safety precautions, starting on page 3, before using your PowerSweep attachment.

Contact your STIHL dealer or the STIHL distributor for your area if you do not understand any of the instructions in this Manual.

### **Warning!**

Because a PowerSweep is a power tool, some special safety precautions must be observed to reduce the risk of personal injury.

Careless or improper use may cause serious or even fatal injury.

Always wear proper eye protection.


STIHL's philosophy is to continually improve all of its products. As a result, engineering changes and improvements are made from time to time. If the operating characteristics or the appearance of your PowerSweep attachment differs from those described in this Manual, please contact your STIHL dealer for information and assistance.

## Guide to Using this Manual

### Important Information

This STIHL attachment may be mounted to different STIHL basic power tools (powerhead with shaft and handle system).

The approved basic power tool models are listed in chapter "Approved Basic Power Tools".

 Other combinations of the attachment and non-approved power tools are not permitted since they may result in **accidents or serious personal injury**.

This instruction manual contains only descriptions of procedures and conditions in which the attachment and power tool combination differs from the basic power tool.

For correct operation of your attachment and power tool combination, also read and observe the appropriate chapters in the instruction manual of the basic power tool you are using.

### Pictograms

All the pictograms attached to the machine are shown and explained in this manual.

The operating and handling instructions are supported by illustrations.

### Symbols in text

The individual steps or procedures described in the manual may be marked in different ways:


- A bullet marks a step or procedure without direct reference to an illustration.


A description of a step or procedure that refers directly to an illustration may contain item numbers that appear in the illustration.


Example:


Loosen the screw **(1)**  
Lever **(2)** ...

In addition to the operating instructions, this manual may contain paragraphs that require your special attention. Such paragraphs are marked with the symbols described below:

 Warning where there is a risk of an accident or personal injury or serious damage to property.

 Caution where there is a risk of damaging the machine or its individual components.

 Note or hint which is not essential for using the machine, but may improve the operator's understanding of the situation and result in better use of the machine.

 Note or hint on correct procedure in order to avoid damage to the environment.

## Safety Precautions and Working Techniques

### \* Equipment and features

This instruction manual may refer to several models with different features. Components that are not installed on all models and related applications are marked with an asterisk (\*). Such components may be available as special accessories from your STIHL dealer.

### Engineering improvements

STIHL's philosophy is to continually improve all of its products. As a result, engineering changes and improvements are made from time to time. If the operating characteristics or the appearance of your machine differ from those described in this manual, please contact your STIHL dealer for assistance.

Therefore some changes, modifications and improvements may not be covered in this manual.



#### Warning!

Because a power tool equipped with a PowerSweep attachment is a high-speed power tool, special safety precautions must be observed to reduce the risk of personal injury.



It is important that you read, fully understand and observe the following safety precautions and warnings. Read the owner's manuals and the

safety instructions of your power tool and PowerSweep attachment periodically. Careless or improper use of any power tool may cause serious or fatal injury. Have your STIHL dealer show you how to operate your power tool. Observe all applicable local safety regulations, standards and ordinances.



#### Warning!

Minors should never be allowed to use a power tool. Bystanders, especially children, and animals should not be allowed in the area where a power tool is in use!

Never let the PowerSweep run unattended.



#### Warning!

Do not lend or rent your power tool without the owner's manuals. Be sure that anyone using your power tool understands the information contained in these manuals.

Most of these safety precautions and warnings apply to the use of all STIHL PowerSweeps. Different models may have different parts and controls. See the appropriate section of your power tool and PowerSweep attachment owner's manual for a description of the controls and function of the parts of your power tool model.

Safe use of a power tool involves

1. the operator
2. the power tool
3. the use of the power tool.

### THE OPERATOR!

#### Physical Condition

You must be in good physical condition and mental health and not under the influence of any substance (drugs, alcohol, etc.) which might impair vision, dexterity or judgment. Do not operate a power tool when you are fatigued.

Be alert - if you get tired while operating your power tool, take a break. Tiredness may result in loss of control. Working with any power tool can be strenuous. If you have any condition that might be aggravated by strenuous work, check with your doctor before operating a PowerSweep.

 **Warning!**

Prolonged use of a power tool (or other machines) exposing the operator to vibrations may produce whitefinger disease (Raynaud's phenomenon) or carpal tunnel syndrome. These conditions reduce the hand's ability to feel and regulate temperature, produce numbness and burning sensations and may cause nerve and circulation damage and tissue necrosis.

All factors which contribute to whitefinger disease are not known, but cold weather, smoking and diseases or physical conditions that affect blood vessels and blood transport, as well as high vibration levels and long periods of exposure to vibration are mentioned as factors in the development of whitefinger disease.

In order to reduce the risk of whitefinger disease and carpal tunnel syndrome, please note the following:

- Most STIHL power tools are equipped with an anti-vibration ("AV") system designed to reduce the transmission of vibrations created by the engine to the operator's hands. An AV system is recommended for those persons using power tools on a regular or sustained basis.
- Wear gloves and keep your hands warm.
- Keep the AV system well maintained. A power tool with loose components or with damaged or worn AV buffers will tend to have higher vibration levels.
- Maintain a firm grip at all times, but do not squeeze the handles with constant, excessive pressure, take frequent breaks.

All the above mentioned precautions do not guarantee that you will not sustain whitefinger disease or carpal tunnel syndrome. Therefore, continual and regular users should monitor closely the condition of their hands and fingers. If any of the above symptoms appear, seek medical advice immediately.

## Proper Clothing

 **Warning!**

To reduce the risk of injury, the operator should wear proper protective apparel.

 **Warning!**



Never operate a PowerSweep unless wearing goggles or properly fitted safety glasses with adequate top and side protection

complying with your National Standard.

 **Warning!**



Power tool noise may damage your hearing. Wear sound barriers (ear plugs or ear muffers) to protect your hearing. Continual and regular

users should have their hearing checked regularly.



Protect your hands with gloves when handling the power tool. Heavy-duty, nonslip gloves improve your grip and protect your hands.



Clothing must be sturdy and snug-fitting, but allow complete freedom of movement.



Avoid loose-fitting jackets, scarfs, neckties, jewelry, flared or cuffed pants, unconfined longhair or moving parts of the unit.

Wear long pants made of heavy material to protect your legs. Do not wear shorts, sandals or go bare foot. Secure hair so it is above shoulder level.



Good footing is important in PowerSweep work. Wear sturdy boots with nonslip soles.



Wear an approved safety hard hat to reduce the risk of injury to your head when there is a danger of head injuries.

## THE POWER SWEEP ATTACHMENT

For illustrations and definitions of the PowerSweep attachment parts see the chapter on "Parts and Controls"

### **Warning!**

Never modify a PowerSweep attachment in any way. Only attachments supplied by STIHL or expressly approved by STIHL for use with the specific STIHL power tool models are authorized. Although certain unauthorized attachments may be useable for the STIHL power tool, their use may, in fact, be extremely dangerous.

## THE USE OF THE POWER SWEEP

### Transporting the PowerSweep

### **Warning!**

Always turn off the engine and make sure the attachment has stopped before putting a PowerSweep down. When transporting your PowerSweep in a vehicle, properly secure it to prevent turnover, fuel spillage and damage to the PowerSweep.

## Preparation for the use of the PowerSweep

Adjust carrying harness and hand grip to suit your size before starting work. The machine should be properly balanced as specified in your owner's manual for proper control and less fatigue in operation.


Always check your PowerSweep for proper condition and operation before starting, particularly the throttle trigger, throttle trigger interlock (if applicable), stop switch, sweeper drums, rubber sleeve and harness.

The sweeper must be properly tightened and in safe operating condition. Both sweeper belts must be mounted. The rubber sleeve on the end of the drive tube must be in good condition. Do not operate your PowerSweep with damaged sweeper drums or rubber sleeve. Inspect for loose parts (nuts, screws, etc) and for worn or damaged parts. Replace worn or damaged parts.

## Fueling

Your STIHL PowerSweep uses an oil-gasoline mixture for fuel. For further instructions see the safety precautions and the chapter on "Fuel" of the owner's manual of the power tool.

### Warning!

 Gasoline is an extremely flammable fuel. If spilled and ignited by a spark or other ignition source, it can cause fire and serious burn injury or property damage. Use extreme caution when handling gasoline or fuel mix.

Do not smoke or bring any fire or flame near the fuel or PowerSweep.

## OPERATING INSTRUCTIONS

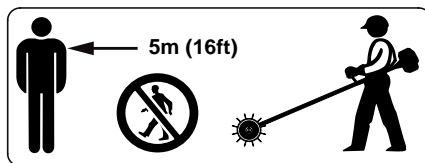
The PowerSweep is designed only for sweeping sand, stones, gravel, leaves and snow on grass, concrete or asphalt and removing puddles of water from flat surfaces. To reduce the risk of injury, do not use your PowerSweep for any other purpose.

## Starting

### Warning!

Your PowerSweep is a one-person machine.

If you start the engine in the "start position" the sweeper belts will rotate when the engine starts - this may set the PowerSweep in motion back towards the operator.



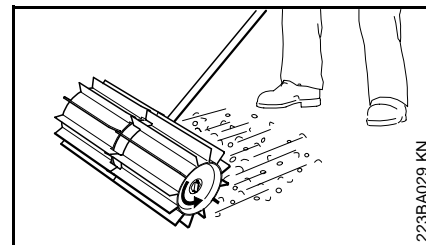
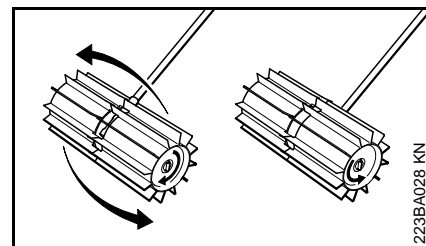
To reduce the risk of injury from thrown objects or contact with the sweeper belts, do not allow any other person within a radius of 5 m (16 ft) of your own position.

Stop the engine immediately if you are approached. Start and operate your PowerSweep without assistance. For specific starting instructions, see the appropriate section of the owner's manual of the power tool. Place the power tool on firm ground or other solid surface in an open area. Maintain a good balance and secure footing.

## Working Conditions

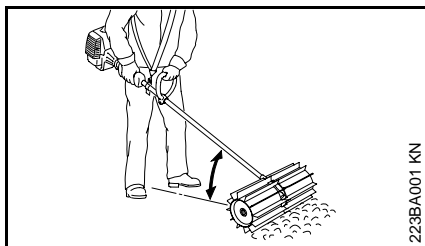
Operate and start your power tool only outdoors in a well ventilated area.

Operate the PowerSweep under good visibility and daylight conditions only. Work carefully.

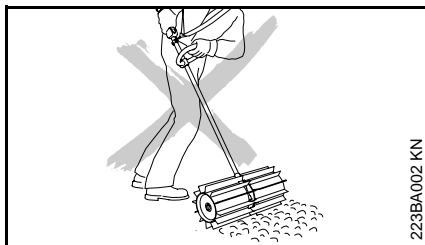


### Warning!

Reversing the PowerSweep will cause debris to be thrown back towards the operator. When reversing the PowerSweep, use lower throttle settings and be aware that thrown debris may also affect your footing.



223BA001 KN



223BA002 KN

### **⚠ Warning!**

To reduce the risk of injury from loss of control, maintain a low angle to the work surface. A high angle of operation tends to propel the PowerSweep toward you.

### **⚠ Warning!**

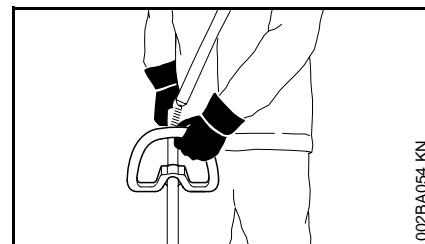


Your PowerSweep produces toxic exhaust fumes as soon as the engine is running. These gases (e.g. carbon monoxide) may be colorless and odorless. To reduce the risk of serious or fatal injury from inhaling toxic fumes, never run the PowerSweep indoors or in poorly ventilated locations.

### **⚠ Warning!**

Use of this product can generate dust and fumes containing chemicals known to cause respiratory disease, cancer, birth defects, or other reproductive harm. If you are unfamiliar with the risks associated with the particular dust or fume at issue, consult your employer, governmental agencies such as OSHA and NIOSH and other sources on hazardous materials. California and some other authorities, for instance, have published lists of substances known to cause cancer, reproductive toxicity, etc.

Control dust and fumes at the source where possible. In this regard use good work practices and follow the recommendations of OSHA/NIOSH and occupational and trade associations. When the inhalation of toxic dust and fumes cannot be eliminated, the operator and any bystanders should always wear a respirator approved by NIOSH/MSHA for the type of dust and / or fumes encountered.



002BA054 KN

Always hold the PowerSweep firmly with both hands. Wrap your fingers tightly around the handles, keeping the handles cradled between your thumb and fore-finger. Keep your hands in this position, to have your PowerSweep under control at all times. Make sure your PowerSweep handles and grip are in good condition and free of moisture, pitch, oil or grease.



**⚠ Warning!**

Never attempt to operate any PowerSweep with one hand. Loss of control of the PowerSweep may result in personal injury.

Special care must be taken in slippery conditions (wet ground, snow).



Examine work area and check for solid objects (such as stones, pieces of metal, etc.) which could be thrown and cause injury or damage the sweeper flaps or other property (e.g. parked vehicles, windows, etc.).

**⚠ Warning!**

This PowerSweep is to be used at ground level with the sweeper belts parallel to the ground. Use of a PowerSweep above ground level may increase the risk of injury, since the brooming attachment is more fully exposed and the PowerSweep may be more difficult to control.

Do not operate the PowerSweep using the starting throttle lock as you do not have control of the engine speed. See section of your owner's manual on the proper use of the slide control.

If the sweeper belts become clogged or stuck, always turn off the engine and make sure the sweeper belts have stopped, before cleaning.

### Important adjustments

**⚠ Warning!**

To reduce the risk of personal injury from loss of control or contact with the running sweeper drums, do not use your PowerSweep with incorrect idle adjustment. At correct idle speed, the sweeper drums should not move. For directions on how to adjust idle speed, see the appropriate section of the owner's manual of the power tool.

If you cannot set the correct idle speed, have your STIHL dealer check your PowerSweep and make proper adjustments and repairs.

## MAINTENANCE, REPAIR AND STORING

Use only identical STIHL replacement parts for maintenance and repair. Use of non-STIHL parts may cause serious or fatal injury.

Follow the maintenance and repair instructions in the appropriate section of your owner's manual. Please refer to the maintenance chart at the last pages of this manual.

**⚠ Warning!**

Always stop the engine and make sure that the sweeper belts have stopped before doing any maintenance or repair work or cleaning the PowerSweep. Do not attempt any maintenance or repair work not described in your owner's manual. Have such work performed at your STIHL dealer shop only.

**⚠ Warning!**

Check condition of sweeper belts at regular intervals. Loose particles or pieces of the belts could be thrown and injure the operator or bystanders. To reduce risk of injury from broken parts replace damaged sweeper belts immediately and always in pairs. Do not reuse or attempt to repair damaged or worn sweeper belts.

** Warning!**

To reduce the risk of fire and burn injuries, check fuel filler cap for leaks at regular intervals. Use the specified spark plug and make sure it and the ignition lead are always in good condition.

** Warning!**

Never test the ignition system with ignition wire boot removed from spark plug or with unseated spark plug, since uncontained sparking may cause a fire.

** Warning!**

To reduce the risk of fire and burn injury, use only spark plugs authorized by STIHL. Always press spark plug boot snugly onto spark plug boot of the proper size. (Note: If boot has detachable SAE adapter nut, it must be attached.) A loose connection between spark plug boot and ignition wire connector in the boot may create arcing that could ignite combustible fumes and cause a fire. Keep spark plug clean, and make sure ignition lead is in good condition.

** Warning!**

Do not operate your PowerSweep if the muffler is damaged, missing or modified. An improperly maintained muffler will increase the risk of fire and hearing loss. Never touch a hot muffler or burn will result. If your muffler was equipped with a spark-arresting screen to reduce the risk of fire (e.g. in the USA, Canada and Australia), never operate your PowerSweep if the screen is missing or damaged. Do not modify or remove any part of the muffler or spark arresting screen. Remember that the risk of forest fires is greater in hot or dry weather.

Tighten all nuts, bolts and screws, except the carburetor adjustment screws, after each use.

Additionally, the daily maintenance schedule for your PowerSweep set forth in your STIHL Owner's Manual should be strictly followed.

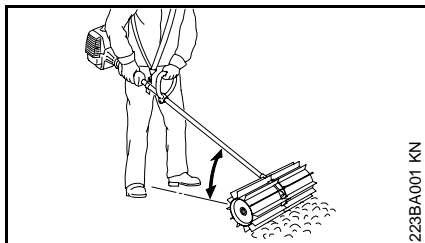
Store PowerSweep in a dry, high or locked location out of reach of children.

Before storing for longer than a few days, always empty the fuel tank.

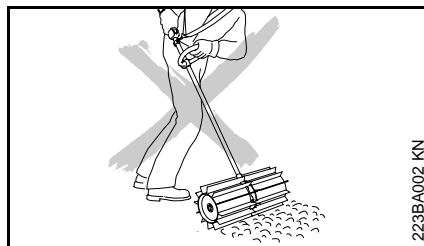
## Using the PowerSweep

Use the PowerSweep for sweeping sand, stones, gravel, leaves and snow on grass, concrete or asphalt and removing standing water from solid surfaces.

- To reduce risk of accidents or injury, remove all obstacles and objects from the work area.
- If the work area is very dry, spray it with water if necessary to reduce the amount of dust created.
- Push the PowerSweep steadily at walking pace.

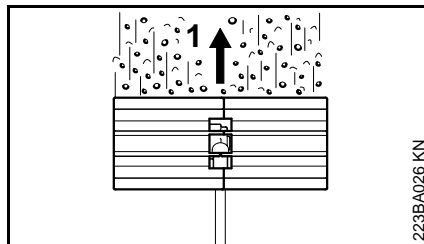


- Always keep the drive tube at a shallow angle (see illustration).
- ⚠ The steeper the angle between the drive tube and the ground, the more difficult it is to control the PowerSweep.



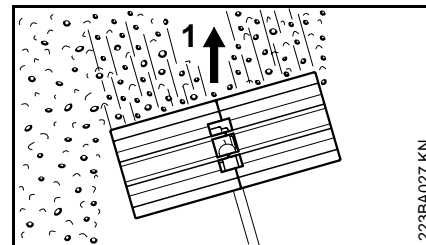
- Do not push the PowerSweep into the ground.

### Sweeping narrow areas



- Guide the sweeper drum at right angles to the direction of travel (1). Sweepings are thrown forwards, ahead of the operator.
- ⚠ The PowerSweep pushes back toward the operator.

### Sweeping wide areas

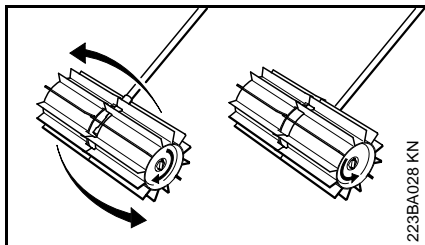


- Guide the sweeper drum at an angle to the direction of travel (1). Sweepings are thrown forwards to one side.
- ⚠ The PowerSweep pushes back toward the operator.

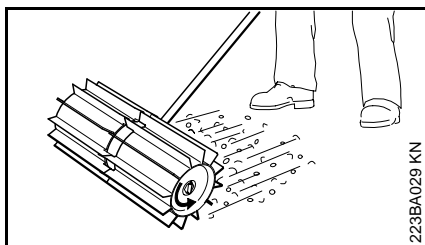
## Approved Basic Power Tools

## Installing the Gearbox

### Sweeping corners



- Turn the PowerSweep over.



Sweepings are thrown back toward the operator. For this reason:

- Run the PowerSweep at a low throttle setting only.
- ⚠ The PowerSweep pulls the operator forward. Debris thrown back toward the operator may affect footing.

Operation of STIHL KW PowerSweep attachment is permitted only with the following basic power tools:

STIHL FC 95, STIHL FC 110,  
STIHL FH 75, STIHL FS 65-4<sup>1)</sup>,  
STIHL FS 83<sup>1)</sup>, STIHL FS 85<sup>1)</sup>,  
STIHL FS 90<sup>1)</sup>, STIHL FS 100<sup>1)</sup>,  
STIHL FS 110<sup>1)</sup>, STIHL HL 73<sup>1)</sup>,  
STIHL HL 75<sup>1)</sup>, STIHL HL 100<sup>1)</sup> and  
STIHL KW 85

- ⚠ Other combinations of the attachment and non-approved basic power tools are not permitted since they may result in accidents or serious personal injury.

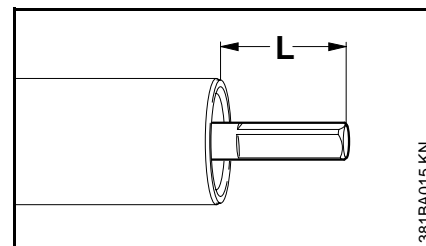
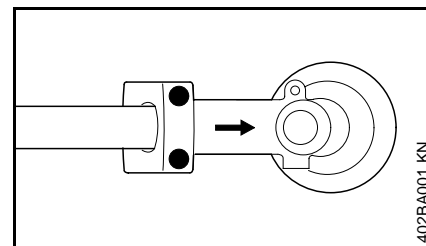
### Retrofitting the Loop Handle\*

- ⚠ This attachment may be operated only with a basic power tool equipped with a loop handle.

- 💡 The loop handle does not need to be equipped with a barrier bar\*.

The following machines must be retrofitted with a loop handle:  
**0° versions** of the HL 73, HL 75 and HL 100

- To retrofit the loop handle see "Mounting the Loop Handle".
- <sup>1)</sup> Not approved for units with a bike handle or models FS 85 X, FS 110 X, HL 73 K, HL 73-0°, HL 75 K, HL 75-0°, HL 100 K and HL 100-0°
- \* see "Guide to Using this Manual"

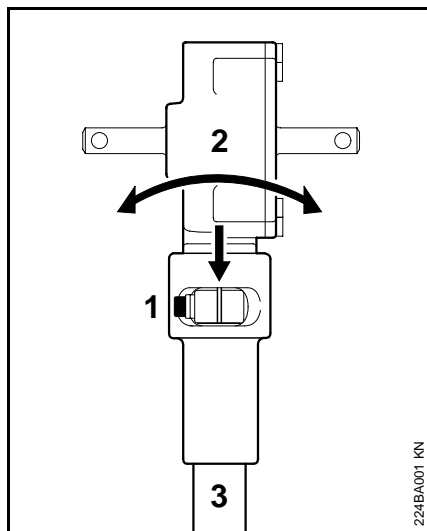


### Preparations

- Loosen the clamp screws on the gearhead of the power tool and pull the gearhead off the drive tube.
- 💡 The drive shaft may slip out of the tube when you pull off the gearhead. If this happens push the drive shaft back into the tube.

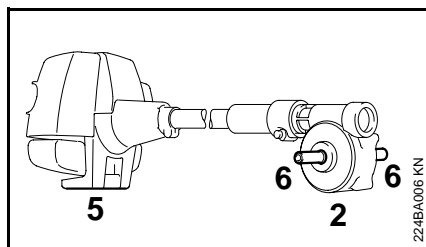
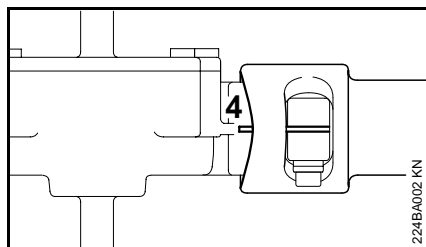
The drive shaft must not project from the tube any more than **L** (7/8" or 22 mm). If necessary, apply slight pressure to the drive shaft and rotate it slowly at the same time until it can be pushed in to the required length.

## Mounting Sweeper Drums

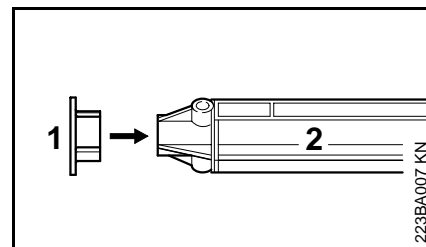


### Mounting the gearbox

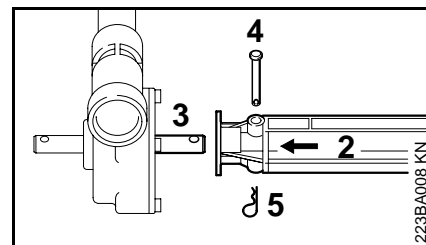
- Release the clamp screw (1).
- Slide the gearbox (2) onto the drive tube (3), turning the gearbox back and forth at the same time.



- Once the end of the drive tube is inserted beyond the slot in the clamp (4) – ease the rubber sleeve to one side to check this – push the gearbox right up to the stop.
- Fit clamp screw and tighten as far as stop.
- Line up the gearbox (2) on the drive tube so that the machine support (5) on the powerhead points downward and the output shafts (6) are horizontals.
- Tighten the clamp screws **firmly**.
- Go to "Mounting Sweeper Drums".

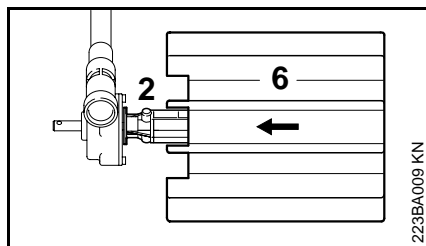


- Fit grass shield (1) on end of axle (2) and press home as far as stop.

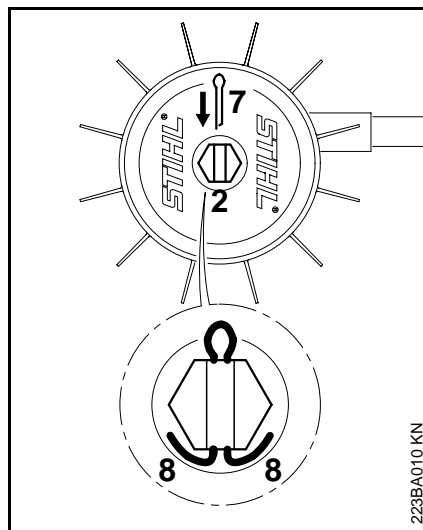


- Push axle (2) onto the output shaft (3).
- Insert pin (4) through axle and output shaft. Secure pin with cotter pin (5).

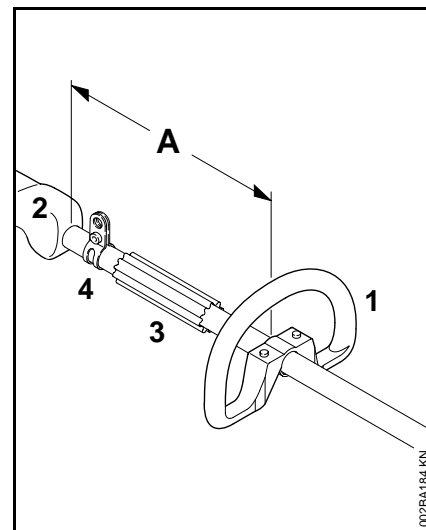
## Mounting the Loop Handle\*



- Push sweeper drum assembly (6) onto the axle (2) – note the installed position (see illustration)!



- Fit new cotter pin (7) in end of axle (2) and bend over the ends (8) of the cotter pin as shown.
  - Repeat the procedure on the other side.
- ⚠ Always mount both sweeper drum assemblies!

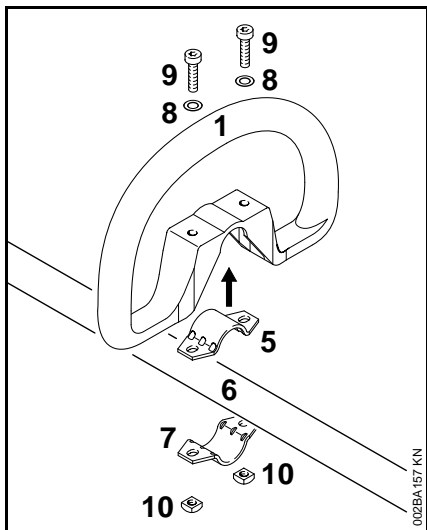


### Position of Loop Handle

- Fit the loop handle (1) on the drive tube approx. 8" / (20 cm) (A) forward of the control handle (2).
- Make sure that any parts that are already fitted, ie. the spacer sleeve\* (3) and carrying eye\* (4), are **between** the loop handle and control handle.

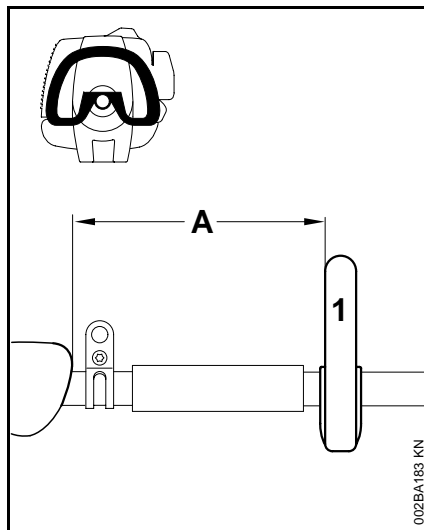
\* see "Guide to Using this Manual"

## Fitting Carrying Eye\* (Clamp)



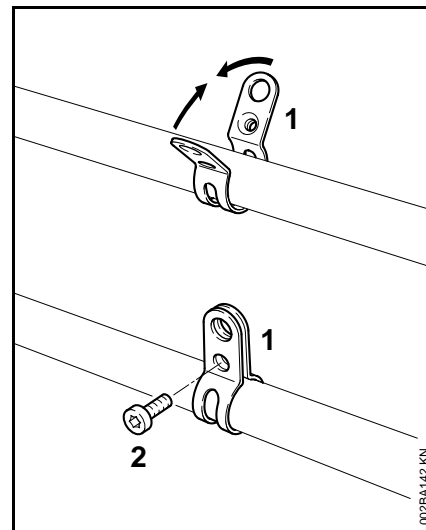
### Mounting the Loop Handle

- Place the clamp (5) in the loop handle (1) and fit handle in position on the drive tube (6).
- Fit the clamp (7).
- Line up the holes.
- Fit washers (8) on the screws (9) and insert screws through the holes.
- Screw on the square nuts (10) as far as stop.



### Aligning the Loop Handle

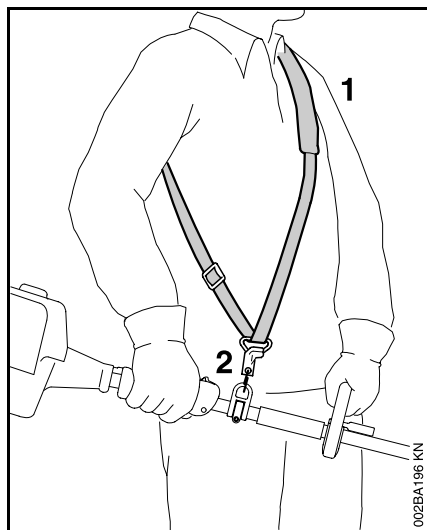
- Adjust the loop handle (1) to the most comfortable position for the user and application.
- ⚠ Distance **A** must not be more than 22" (55 cm). About 14" (35 cm) is recommended.
- Tighten down screws on loop handle firmly.



- For position of carrying eye (clamp)\* see "Mounting the Loop Handle".
- Position the clamp (1) so that the tapped hole is on the left-hand side of the drive tube (viewed from powerhead).
- Squeeze the ends of the clamp together and hold it that position.
- Insert M 6 x 14 screw (2).
- Line up the carrying eye.
- Tighten down the screw.

\* see "Guide to Using this Manual"

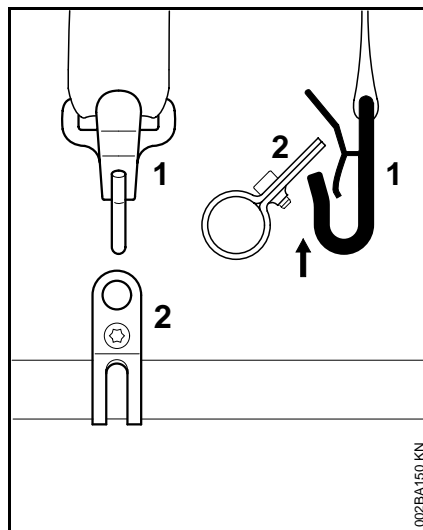
## Fitting the Harness\*



### Shoulder Strap

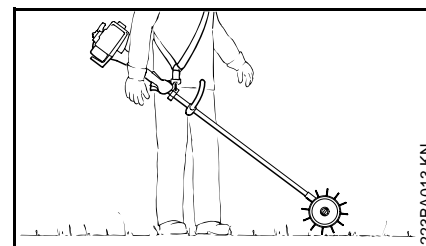
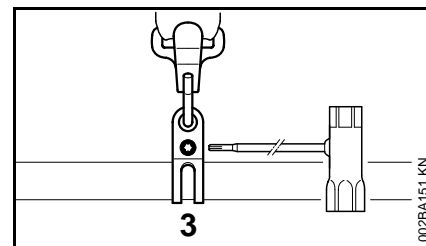
- Put on the shoulder strap (1).
- Adjust length of strap until the spring hook (2) is about a hand's width below your right hip.
- Balance the PowerSweep – see "Balancing the Machine".

## Balancing the Machine



### Attaching Machine to Harness\*

- Attach the spring hook (1) to the clamp\* (2).



- Loosen the screw (3).

### Balancing the Machine

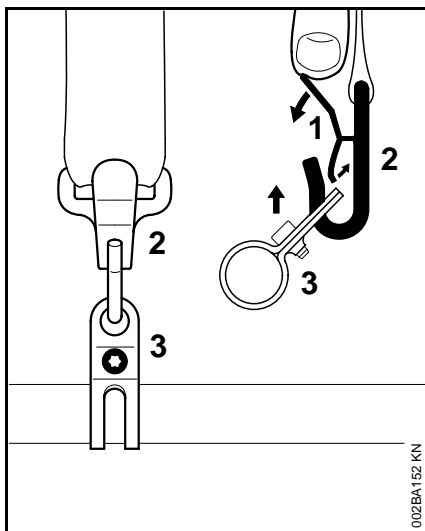
- Slide the clamp up or down the drive tube so that the sweeper belts touch the ground.
- Tighten the screw firmly.

\* See "Guide to Using this Manual"

\* See "Guide to Using this Manual"

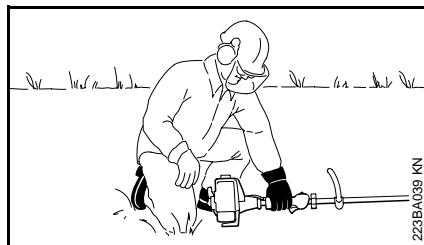
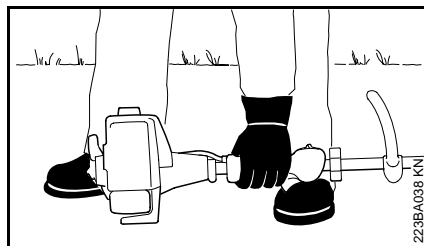


## Starting / Stopping the Engine



### Disconnecting Machine from Harness

- Press down bar (1) on spring hook (2).
- Pull the clamp (3) out of the spring hook.



### Starting

Always follow the starting instructions given in the owner's manual of the powerhead you are using.

- Make sure you have a secure footing – the sweeper drums may touch the ground, but not any other obstacles.
- Hold the unit securely with your left hand on the control handle and press it down **firmly**.

**⚠** If you crank the engine in the **START** position, the sweeper drums may rotate when the engine starts and this may set the PowerSweep in motion. For this reason, do not run the unit for any longer than necessary in the **starting throttle position**.

### To shut down the engine

- Move the slide control in the direction of the arrow (➔) to **STOP** – **■** or move the stop switch to **■**.

## Operating Instructions

### During Operation

Do not run the engine at full throttle off load. When run off load, the engine reaches very high revs, which can cause the temperature of the gearbox to rise unnecessarily.

### After Finishing Work

Storing machine for a short period:  
Wait for the engine to cool down. Store the machine with an **empty tank** in a dry place, well away from sources of ignition, until you need it again. Check the tightness of all accessible screws and nuts at regular intervals and retighten as necessary.

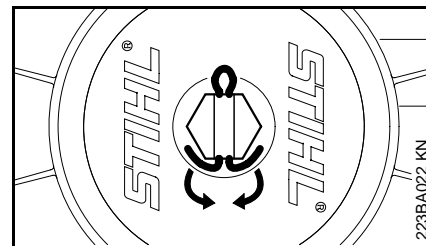
Storing for longer period:  
See chapter "Storing the Machine".

## Storing the Machine

For periods of about 3 months or longer:

- Remove and clean the sweeping attachments, inspect for damage or wear.
- Store the machine in a dry, high or locked location – out of the reach of children and other unauthorized persons.

## Replacing Sweeper Drum



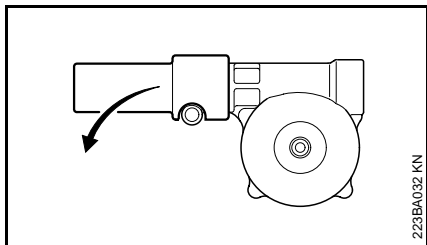
- Straighten the ends of the cotter pin, remove the cotter pin.
- Pull the sweeper drum off the axle.
- Repeat the procedure on the other side.
- Examine gear housing for signs of oil. If leaks are found, have your STIHL dealer check the gearbox.
- Install new sweeper drums – see "Mounting Sweeper Drums".

## Replacing the Rubber Sleeve

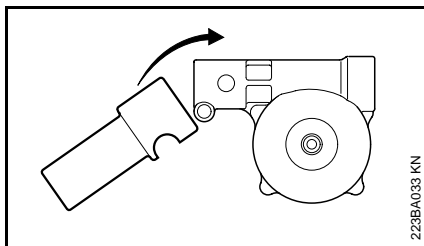
The rubber sleeve protects the drive tube from wear caused by contact with the sweeper belts.

A worn sleeve must be replaced as follows:

- Remove the sweeper drums – see "Replacing Sweeper Drum".
- Remove the gearbox – see "Removing the Gearbox".

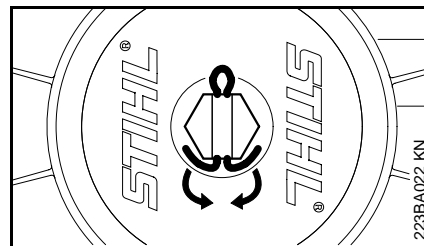


- Pull the worn sleeve off the gearbox.

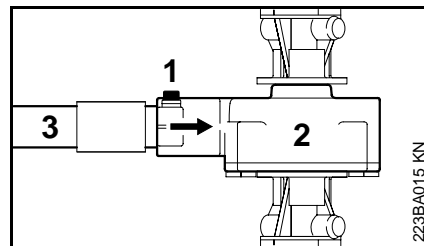


- Push a **new sleeve** onto the gearbox.
- Mount the gearbox – see "Installing the Gearbox".
- Fit the sweeper drums – see "Mounting Sweeper Drums".

## Removing the Gearbox



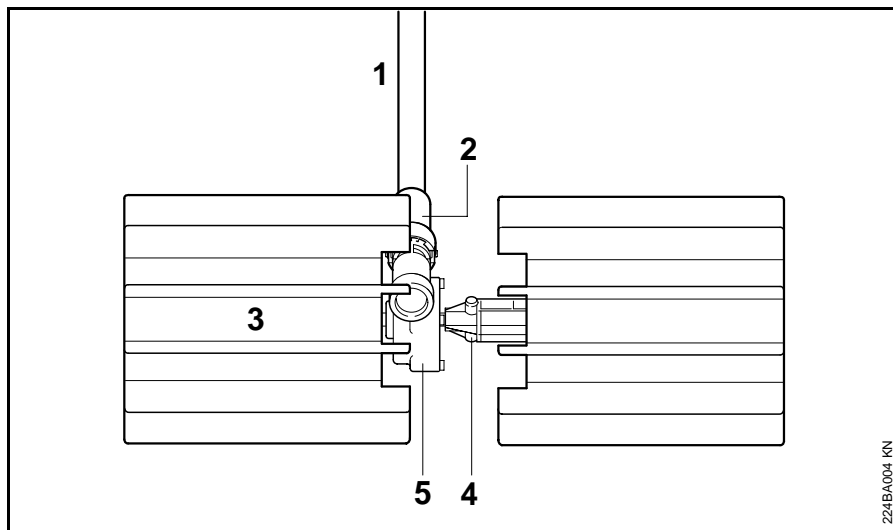
- Straighten the ends of the cotter pin, remove the cotter pin.
- Pull the sweeper drum off the shaft.
- Examine gear housing for signs of oil. If leaks are found, have your STIHL dealer check the gearbox.
- Repeat the above procedure on the other side.



- Release the clamp screw (1).
- Pull the gearbox (2) off the drive tube (3).

## Main Parts

## Specifications



### Engine

See instruction manual of the basic power tool you are using.

### Weight

PowerSweep attachment	10.5 lbs (4.8 kg)
Interchangeable attachment	11.9 lbs (5.4 kg)

### Sweeper Drum

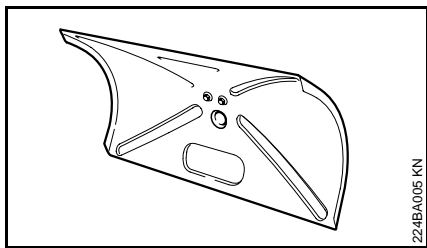
Quantity	2
Width	22 in (57 cm)
No. of rubber paddles	12

- 1 = Shaft
- 2 = Sleeve
- 3 = Sweeper drum assembly
- 4 = Axle
- 5 = Gearbox

### Definitions

1. **Shaft.**  
Device to connect the engine with the gearbox.
2. **Sleeve (shaft protector).**  
Designed to protect the shaft against abrasion from the sweeper flaps.
3. **Sweeper drum assembly.**  
Tool for sweeping and cleaning.
4. **Axle.**  
Connects sweeper drum assembly with the drive shaft.
5. **Gearbox.**  
To transform the engine speed down to lower RPM of the sweeper drums.

## Special Accessories



Deflector 4602 007 1001

Sweeper belts

Safety glasses

Harness


Combination wrench

Contact your STIHL dealer for the latest information on these and other special accessories.

## Maintenance and Repairs

Users of this unit should carry out only the maintenance operations described in this manual. Other repair work may be performed only by authorized STIHL service shops.

Warranty claims following repairs can be accepted only if the repair has been performed by an authorized STIHL servicing dealer using original STIHL replacement parts.

Original STIHL parts can be identified by the STIHL part number, the **STIHL** logo and, in some cases, by the STIHL parts symbol . This symbol may appear alone on small parts.

## Contenido

Guía para el uso de este manual ...	22
Medidas de seguridad y técnicas de manejo .....	23
Uso de la PowerSweep .....	30
Herramientas motorizadas básicas aprobadas .....	31
Instalación de la caja de engranajes .....	31
Montaje de los tambores barredores .....	32
Montaje del mango tórico .....	33
Colocación de la argolla de transporte (abrazadera) .....	34
Colocación del arnés .....	35
Equilibrio de la máquina .....	35
Arranque / parada del motor .....	36
Instrucciones de manejo .....	37
Almacenamiento de la máquina .....	37
Sustitución del tambor barredor .....	37
Sustitución del manguito de caucho .....	38
Retiro de la caja de engranajes .....	38
Piezas principales .....	39
Especificaciones .....	39
Accesorios especiales .....	40
Mantenimiento y reparaciones .....	40

Permita que solamente las personas que comprenden la materia tratada en este manual manejen el accesorio PowerSweep.

Para obtener el rendimiento y satisfacción máximos del accesorio PowerSweep STIHL, es importante leer y comprender las instrucciones de mantenimiento y las precauciones de seguridad, que empiezan en la página 23, antes de usarlo.

Comuníquese con el concesionario o distribuidor de STIHL si no entiende alguna de las instrucciones dadas en el presente manual.

### Advertencia

Dado que la PowerSweep es una herramienta motorizada, es necesario tomar medidas especiales de seguridad para reducir el riesgo de lesiones.

El uso descuidado o inadecuado puede causar lesiones graves e incluso mortales.

Siempre protéjase adecuadamente los ojos.

La filosofía de STIHL es mejorar continuamente todos su productos. Como resultado de ello, periódicamente se introducen cambios de diseño y mejoras. Si las características de funcionamiento o la apariencia de su accesorio PowerSweep difieren de las descritas en este manual, comuníquese con el concesionario STIHL para obtener la información y ayuda que requiera.


# STIHL®

## Guía para el uso de este manual

### Información importante

Este accesorio STIHL puede instalarse en diferentes herramientas motorizadas básicas STIHL (motor con sistema de tubo de mando y mango).

Los modelos aprobados de herramientas motorizadas básicas se listan en el capítulo "Herramientas motorizadas básicas aprobadas".

 **No se permite ninguna otra combinación de accesorio y herramienta motorizada básica no aprobada debido al riesgo de que pueda causar accidentes o lesiones personales graves.**

Este manual de instrucciones contiene solamente las descripciones de los procedimientos y condiciones en los cuales la combinación de herramienta motorizada y accesorio difiere de la herramienta motorizada básica.

Para el uso correcto de la combinación de accesorio y herramienta motorizada, también lea y atégase a la información dada en los capítulos correspondientes del manual de instrucciones de la herramienta motorizada básica que se está usando.

### Pictogramas

Todos los pictogramas que se encuentran en la máquina se muestran y explican en este manual.

Las instrucciones de uso y manipulación vienen acompañadas de ilustraciones.

### Símbolos en el texto

Los pasos individuales o procedimientos descritos en el manual pueden estar señalados en diferentes maneras:

- Un punto identifica un paso o procedimiento sin referencia directa a una ilustración.


Una descripción de un paso o procedimiento que se refiere directamente a una ilustración puede tener números de referencia que aparecen en la ilustración.


Ejemplo:


Suelte el tornillo **(1)**


Palanca **(2)** ...

Además de las instrucciones de uso, en este manual pueden encontrarse párrafos a los que usted debe prestar atención especial. Tales párrafos están marcados con los símbolos que se describen a continuación.

 Advertencia donde existe el riesgo de un accidente o lesiones personales o daños graves a la propiedad.

 Precaución donde existe el riesgo de dañar la máquina o los componentes individuales.

 Nota o sugerencia que no es esencial para el uso de la máquina, pero puede ayudar al operador a comprender mejor la situación y mejorar su manera de manejar la máquina.

 Nota o sugerencia sobre el procedimiento correcto con el fin de evitar dañar el medio ambiente.

## Medidas de seguridad y técnicas de manejo

### \* Equipo y características

Este manual de instrucciones puede describir varios modelos con diferentes características. Los componentes que no se encuentran instalados en todos los modelos y las aplicaciones correspondientes están marcados con un asterisco (\*). Esos componentes pueden ser ofrecidos como accesorios especiales por el concesionario STIHL.

### Mejoramientos técnicos

La filosofía de STIHL es mejorar continuamente todos sus productos. Como resultado de ello, periódicamente se introducen cambios de diseño y mejoras. Si las características de funcionamiento o la apariencia de su máquina difieren de las descritas en este manual, comuníquese con el concesionario STIHL para obtener la ayuda que requiera.

Por lo tanto, es posible que algunos cambios, modificaciones y mejoramientos no hayan sido descritos en este manual.



#### Advertencia !

Dado que una herramienta motorizada equipada con un accesorio de barredora PowerSweep es un aparato que funciona a velocidad rápida, es necesario tomar medidas especiales de seguridad para reducir el riesgo de lesiones.



Es importante que usted lea, comprenda bien y respete las siguientes advertencias y medidas de seguridad. Lea periódicamente los manuales de

instrucciones y las instrucciones de seguridad de su herramienta motorizada y accesorio de barredora PowerSweep. El uso descuidado o inadecuado de cualquier herramienta motorizada puede causar lesiones graves e incluso mortales. Pida a su concesionario STIHL que le enseñe el manejo de la herramienta motorizada. Respete todas las disposiciones, reglamentos y normas de seguridad locales del caso.

#### ! Advertencia!

Nunca se debe permitir a los niños que usen una herramienta motorizada. ¡No se debe permitir la proximidad de otros, especialmente niños y animales, donde se esté utilizando la herramienta motorizada!

Nunca deje la PowerSweep funcionando sin vigilancia.

#### ! Advertencia!

No preste ni alquile nunca su herramienta motorizada sin entregar los manuales del usuario. Asegúrese que todas las personas que utilicen la herramienta motorizada lean y comprendan la información contenida en estos manuales.

La mayoría de las medidas de seguridad y avisos contenidos en este manual se refieren al uso de todas las máquinas PowerSweep de STIHL. Los distintos modelos pueden contar con piezas y controles diferentes. Vea las secciones correspondientes de los manuales del propietario de la herramienta motorizada y del accesorio de barredora PowerSweep para tener una descripción de los controles y la función de cada componente de su herramienta motorizada.

El uso seguro de una herramienta motorizada atañe a

1. el operador
2. la herramienta motorizada
3. el uso de la herramienta motorizada.

### EL OPERADOR

#### Condición física

Usted debe estar en buenas condiciones físicas y psíquicas y no encontrarse bajo la influencia de ninguna sustancia (drogas, alcohol, etc.) que le pueda restar visibilidad, destreza o juicio. No maneje una herramienta motorizada cuando está fatigado.



Esté alerta. Si se cansa durante el manejo de la herramienta motorizada, tómese un descanso. El cansancio puede provocar una pérdida del control. El uso de cualquier herramienta motorizada es fatigoso. Si usted padece de alguna dolencia que pueda ser agravada por la fatiga, consulte a su médico antes de utilizar la PowerSweep.

### **Advertencia!**

El uso prolongado de una herramienta motorizada (u otras máquinas) expone al operador a vibraciones que pueden provocar el fenómeno de Raynaud (dedos blancos) o el síndrome del túnel del carpio. Estas condiciones reducen la capacidad manual de sentir y regular la temperatura, producen entumecimiento y ardor y pueden provocar trastornos nerviosos y circulatorios, así como necrosis de los tejidos.

No se conocen todos los factores que contribuyen a la enfermedad de Raynaud, pero el clima frío, el fumar y las enfermedades o condiciones físicas que afectan los vasos sanguíneos y la circulación de la sangre, como asimismo los niveles altos de vibración.

Por lo tanto, para reducir el riesgo de la enfermedad de dedos blancos y del síndrome del túnel del carpio, sírvase notar lo siguiente:

- La mayor parte de las herramientas motorizadas de STIHL están equipadas con un sistema antivibración ("AV") cuyo propósito es reducir la transmisión de las vibraciones creadas por el motor a las manos del operador. Se recomienda el uso del sistema AV a aquellas personas que utilizan herramientas motorizadas en forma constante y regular.
- Use guantes y mantenga las manos abrigadas.
- Mantenga el sistema AV en buen estado. Una herramienta motorizada con los componentes flojos o con amortiguadores AV dañados o desgastados también tendrá tendencia a tener niveles más altos de vibración.
- Agarre firmemente los mangos en todo momento, pero no los apriete con fuerza constante y excesiva; tómese descansos frecuentes.

Todas las precauciones antes mencionadas no le garantizan que va a estar totalmente protegido contra la enfermedad de Raynaud o el síndrome del túnel del carpio. Por lo tanto, los operadores constantes y regulares deben controlar con frecuencia el estado de sus manos y dedos. Si aparece alguno de los síntomas arriba mencionados, consulte inmediatamente al médico.

## Vestimenta adecuada

### **Advertencia!**

Para reducir el riesgo de lesiones el operador debe usar el equipo protector adecuado.

### **Advertencia!**



Nunca maneje una PowerSweep a menos que tenga puestas gafas o anteojos de seguridad correctamente ajustados con la correspondiente

protección superior y lateral, de acuerdo con la normativa nacional.

### **Advertencia!**



El ruido de la herramienta motorizada puede dañar los oídos. Siempre use amortiguadores del ruido (tapones u orejeras) para protegerse los oídos. Los

usuarios constantes y regulares deben someterse con frecuencia a un examen o control auditivo.



Protéjase las manos con guantes cuando manipule la herramienta motorizada. Los guantes gruesos y antideslizantes mejoran el manejo y protegen las manos.



La ropa debe ser de confección fuerte y ajustada, pero no tanto que impida la completa libertad de movimiento.



Evite el uso de chaquetas sueltas, bufandas, corbatas, joyas, pantalones acampanados o con vuel-tas, pelo largo suelto o cualquier cosa que pueda engancharse en las piezas en movimiento de la máquina.

Use pantalones largos hechos de un material grueso para protegerse las piernas. No use pantalones cortos, sandalias o pies descalzos. Sujétese el pelo de modo que quede sobre los hombros.



Una buena base de apoyo es indispensable cuando se maneja la PowerSweep. Póngase botas gruesas con suela antideslizante.



Utilice un casco de seguridad aprobado para reducir el riesgo de lesionarse la cabeza en caso de existir tal tipo de peligro.

## EL ACCESORIO DE BARREDORA POWER SWEEP

Para las ilustraciones y definiciones de los componentes del accesorio de barredora PowerSweep, vea el capítulo sobre "Piezas y controles"

### ⚠ Advertencia!

Nunca modifique, de ninguna manera, un accesorio de barredora PowerSweep. Utilice únicamente los accesorios suministrados por STIHL o expresamente autorizados por STIHL para usarse con los modelos específicos de herramientas motorizadas de STIHL. Si bien es posible conectar ciertos accesorios no autorizados a la herramienta motorizada de STIHL, su uso puede ser, en la práctica, extremadamente peligroso.

## USO DE LA POWERSWEEP

### Transporte de la PowerSweep

### ⚠ Advertencia!

Antes de apoyar la PowerSweep en el suelo, apague el motor y asegúrese de que el accesorio ha dejado de girar. Cuando transporte la PowerSweep en un vehículo, sujétela firmemente para impedir su vuelco, el derrame de combustible y el daño a la PowerSweep.

## Preparación para el uso de la PowerSweep

Ajuste el arnés y la empuñadura de modo correspondiente a su estatura antes de empezar a trabajar. La máquina debe estar correctamente equilibrada de la forma especificada en el manual del propietario para un control correcto y menos fatiga de trabajo.

Siempre revise la condición y funcionamiento de su PowerSweep antes de ponerla en marcha, especialmente el gatillo de aceleración, el bloqueo del gatillo de aceleración (si lo tiene), el interruptor de parada, los tambores barre-dores, el manguito de caucho y el arnés.

La barredora debe estar correctamente apretada y en buenas condiciones de trabajo. La barredora debe tener instaladas las dos correas. El manguito de caucho, en el extremo del tubo de mando, debe estar en buenas condiciones. No maneje la PowerSweep si tiene dañados los tambores barre-dores o el manguito de caucho. Busque piezas sueltas (tuercas, tornillos, etc.) y piezas desgastadas o dañadas. Cambie las piezas que estén desgastadas o dañadas.

## Llenado de combustible

La barredora PowerSweep STIHL utiliza una mezcla de aceite y gasolina como combustible. Para más instrucciones, consulte las precauciones de seguridad y el capítulo "Combustible" del manual del propietario de la herramienta motorizada.

### ⚠ Advertencia!



La gasolina es un combustible muy inflamable. Si se derrama y arde a causa de una chispa u otra fuente de ignición, puede provocar un incendio y quemaduras graves o daños a la propiedad. Tenga sumo cuidado cuando manipule gasolina o la mezcla de combustible.

No fume cerca del combustible o la barredora PowerSweep, ni acerque ningún fuego o llama a ellos.

No fume cerca del combustible o la barredora PowerSweep, ni acerque ningún fuego o llama a ellos.

## INSTRUCCIONES DE MANEJO

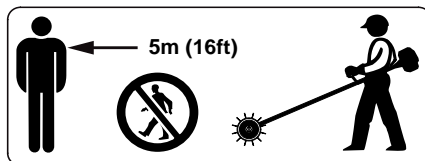
La PowerSweep está diseñada para barrer solamente arena, piedras, grava, hojas y nieve sobre césped, hormigón o asfalto, y para quitar los charcos de agua de las superficies planas. Para reducir el riesgo de lesiones, no utilice su PowerSweep para ningún otro fin.

## Arranque

### ⚠ Advertencia!

Su PowerSweep es una máquina que debe ser manejada por solamente una persona.

Si arranca el motor con el interruptor en la "posición de arranque", las correas de la barredora comenzarán a girar; esa acción puede mover la PowerSweep hacia el operador.



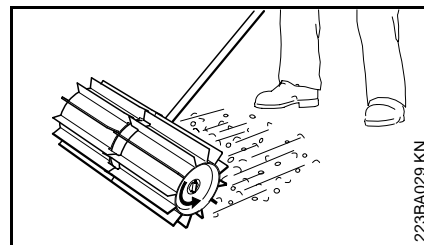
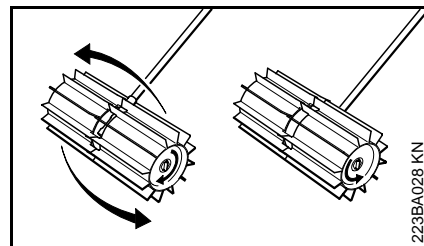
Para reducir el riesgo de lesiones causadas por objetos arrojados por la barredora o el contacto con las correas de la misma, no permita que haya nadie en un radio de 5 m (16 pies) del lugar en que usted se encuentra.

Apague el motor inmediatamente si se le aproxima alguna persona. Ponga en marcha y maneje su PowerSweep sin ayuda de nadie. Para las instrucciones específicas de arranque, vea la sección correspondiente en el manual del propietario de la herramienta motorizada. Coloque la herramienta motorizada sobre suelo firme u otra superficie sólida en un lugar abierto. Mantenga buen equilibrio con los pies bien apoyados.

## Condiciones de trabajo

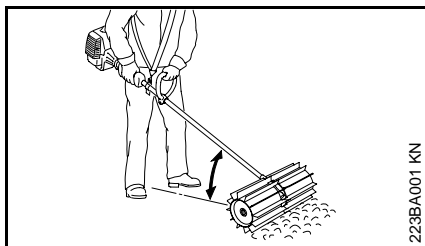
Maneje y arranque su herramienta motorizada solamente al aire libre en un lugar bien ventilado.

Maneje la PowerSweep solamente cuando tenga buena visibilidad y a la luz del día. Trabaje con mucho cuidado.

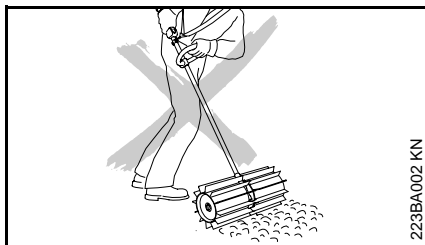


### ⚠ Advertencia!

Si se invierte la PowerSweep se arrojará la basura hacia el operador. Cuando invierta la PowerSweep, reduzca la aceleración y esté alerta a la basura arrojada por la barredora, ya que lo puede hacer perder la estabilidad.



223BA001 KN



223BA002 KN

### ⚠ Advertencia!

Para reducir el riesgo de lesiones debido a la pérdida de control de la máquina, mantenga un ángulo bajo con respecto a la superficie de trabajo. Un ángulo alto de manejo tiene tendencia a propulsar la PowerSweep hacia usted.

### ⚠ Advertencia!

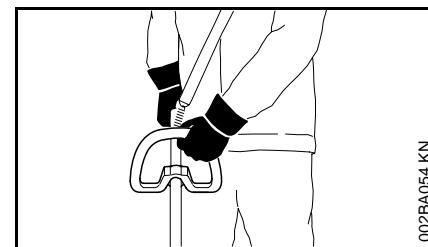


Su PowerSweep emite gases de escape tóxicos apenas el motor empieza a funcionar. Estos gases (por ej., monóxido de carbono) pueden ser incoloros e inodoros. Para reducir el riesgo de sufrir lesiones graves o mortales por respirar gases tóxicos, nunca haga funcionar la PowerSweep puertas adentro o en lugares mal ventilados.

### ⚠ Advertencia!

El uso de este producto puede generar polvo y vapores que contienen productos químicos considerados como causantes de enfermedades respiratorias, cáncer, defectos de nacimiento u otra toxicidad reproductora. Si usted desconoce los riesgos asociados con el polvo o vapor en cuestión, consulte con su empleador, autoridades gubernamentales tales como OSHA y NIOSH y otras fuentes de información sobre materiales peligrosos. Por ejemplo, el estado de California y algunas otras autoridades han publicado varias listas de sustancias carcinógenas, de toxicidad reproductora, etc.

Siempre que sea posible, controle el polvo y los vapores en su punto de origen. Al respecto, emplee buenas prácticas de trabajo y siga las recomendaciones de OSHA/NIOSH y asociaciones laborales y comerciales. Cuando sea imposible eliminar la inhalación del polvo o vapores tóxicos, el operador y las personas que se encuentren en la cercanía siempre deberán usar un respirador aprobado por NIOSH/MSHA para el tipo de polvo y/o vapores presentes en el lugar.



002BA054 KN

Siempre sujete la PowerSweep firmemente con ambas manos. Cierre firmemente los dedos alrededor de los mangos, manteniéndolos bien apoyados entre el pulgar y dedo índice. Mantenga las manos en esta posición, para que siempre tenga la PowerSweep bien controlada. Asegúrese que los mangos de la PowerSweep y la empuñadura están en buenas condiciones y sin humedad, resina, aceite o grasa.

### **Advertencia!**

Nunca intente manejar ninguna PowerSweep con una sola mano. La pérdida del control de la PowerSweep puede ocasionar lesiones.

Tenga especial cuidado cuando trabaje en condiciones resbaladizas (suelo mojado, nieve).



Inspeccione la zona de trabajo y vea si hay objetos sólidos (por ej., piedras, trozos de metal, etc.) que podrían ser arrojados por la máquina y ocasionar lesiones corporales o dañar las aletas de la barredora o causar otros daños materiales (por ej., vehículos estacionados, ventanas, etc.).

### **Advertencia!**

La PowerSweep normalmente se usa a nivel del suelo con las correas de la barredora paralelas al suelo. La utilización de una PowerSweep sobre el nivel del suelo puede aumentar el riesgo de lesionarse, ya que el accesorio barredor queda más al descubierto y puede ser más difícil controlar la PowerSweep.

No maneje la PowerSweep usando el bloqueo de acelerador de arranque, pues no tendrá control de la velocidad del motor. Vea la sección en su manual del usuario sobre el uso correcto del control deslizante.

Si las correas de la barredora se atascan o quedan pegadas, siempre apague el motor y asegúrese que están detenidas antes de limpiarlas.

### **Ajustes importantes**

#### **Advertencia!**

Para reducir el riesgo de lesiones personales debido a la pérdida de control o al contacto con los tambores barredores en movimiento, no use la PowerSweep con la velocidad de ralentí mal regulada. Cuando el ralentí está correctamente regulado, los tambores barredores no deben moverse. Para instrucciones de ajuste del ralentí, vea la sección correspondiente en el manual del propietario de la herramienta motorizada.

Si no puede regular correctamente el ralentí, pida a su concesionario STIHL que revise la PowerSweep y haga los ajustes o reparaciones correspondientes.

### **MANTENIMIENTO, REPARACION Y ALMACENAMIENTO**

Utilice solamente piezas de repuesto de STIHL para el mantenimiento y reparación. El uso de piezas no fabricadas por STIHL puede causar lesiones graves o mortales.

Siga las instrucciones de mantenimiento y reparación dadas en la sección correspondiente del manual del usuario. Consulte la tabla de mantenimiento en las últimas páginas de este manual.

#### **Advertencia**

Siempre apague el motor y asegúrese que las correas de la barredora están detenidas antes de hacer cualquier trabajo de mantenimiento, reparación o limpieza de la PowerSweep. No intente hacer ningún trabajo de mantenimiento o reparación que no esté descrito en su manual del usuario. Este tipo de trabajo debe realizarse únicamente en el taller del concesionario STIHL.

#### **Advertencia**

Revise la condición de las correas de la barredora en intervalos regulares. Partículas sueltas o pedazos de correa podrían salir lanzados al aire y lesionar al operador o personas en la cercanía. Para reducir el riesgo de lesiones causadas por piezas rotas, sustituya inmediatamente las correas dañadas de la barredora, y hágalo siempre en pares. No reutilice ni intente reparar las correas dañadas o desgastadas de la barredora.

** Advertencia**

Para reducir el riesgo de incendio y de quemaduras, revise si hay fugas en la tapa de llenado de combustible en intervalos regulares. Use la bujía especificada y asegúrese de que ella y el cable de encendido están en buen estado.

** Advertencia**

No pruebe nunca el sistema de encendido con el casquillo del cable de encendido desconectado de la bujía, o sin tener bien instalada la bujía, ya que las chispas al descubierto pueden causar un incendio.

** Advertencia**

Para reducir el riesgo de incendio y de quemaduras, utilice solamente las bujías autorizadas por STIHL. Siempre inserte el casquillo de la bujía bien apretado en el borne de la bujía del tamaño adecuado. (Nota: Si el casquillo tiene una tuerca adaptadora SAE desmontable, tiene que ser instalada.) Una conexión suelta entre el casquillo de la bujía y el conector del cable de encendido en el casquillo puede crear un arco voltaico y encender los vapores del combustible, provocando un incendio. Mantenga la bujía limpia, y asegúrese que el conductor de encendido esté en buen estado.

** Advertencia**

No maneje nunca su PowerSweep si el silenciador está dañado, se ha perdido o si fue modificado. Un silenciador mal cuidado aumenta el riesgo de incendio y puede causar pérdida del oído. No toque nunca un silenciador caliente, puede quemarse. Si el silenciador está equipado con un chispero para reducir el riesgo de incendio (por ejemplo, en EE.UU., Canadá y Australia), no maneje nunca la PowerSweep si le falta el chispero o si el mismo está dañado. No modifique ni retire ninguna pieza del silenciador o chispero. Recuerde que el riesgo de incendios forestales es mayor durante las estaciones calurosas y secas.

Apriete todas las tuercas, pernos y tornillos, excepto los tornillos de ajuste del carburador, después de cada uso.

Además, es imprescindible seguir el programa de mantenimiento diario indicado en el manual del usuario de la PowerSweep STIHL.

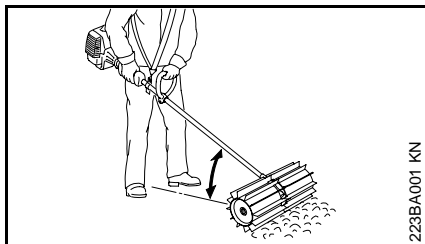
Guarde la PowerSweep en un lugar seco, elevado o con llave lejos del alcance de los niños.

Antes de guardar la máquina durante un período de más de algunos días, siempre vacíe el tanque de combustible.

## Uso de la PowerSweep

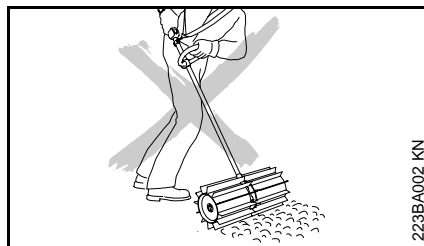
La PowerSweep está diseñada para barrer solamente arena, piedras, grava, hojas y nieve sobre césped, hormigón o asfalto, y para quitar el agua estancada de las superficies planas.

- Para reducir el riesgo de accidentes o lesiones, quite todos los obstáculos y objetos de la zona de trabajo.
- Si la zona de trabajo está muy seca, rocíela con agua para reducir la cantidad de polvo que se levanta.
- Empuje la PowerSweep a un ritmo constante y tranco normal.



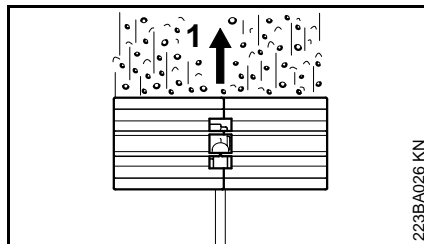
- Mantenga siempre el tubo de mando a un ángulo bajo (vea la ilustración).

⚠ Cuanto más pronunciado el ángulo entre el tubo de mando y el suelo, tanto más difícil el control de la PowerSweep.



- No empuje la PowerSweep contra el suelo.

### Barrido de zonas angostas

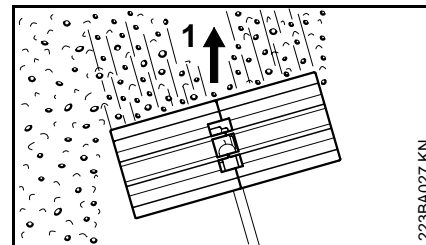


- Dirija el tambor barredor en ángulo recto con respecto al sentido de avance (1).

La basura barrida se lanza hacia adelante del operador.

⚠ La PowerSweep empuja hacia el operador.

### Barrido de zonas anchas



- Dirija el tambor barredor en ángulo con respecto al sentido de avance (1).

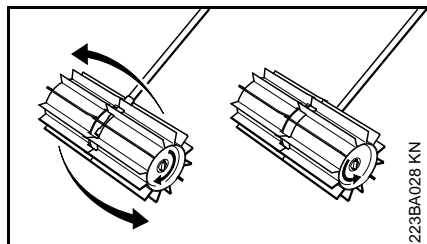
La basura barrida se lanza hacia adelante y hacia un lado.

⚠ La PowerSweep empuja hacia el operador.

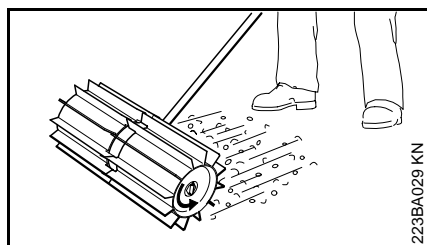
## Herramientas motorizadas básicas aprobadas

## Instalación de la caja de engranajes

### Barrido de los rincones



- Invierta la PowerSweep.



La basura barrida se lanza hacia el operador. Por esta razón:

- Maneje la PowerSweep solamente a baja velocidad.
- ⚠ La PowerSweep tira del operador hacia adelante. La basura lanzada hacia atrás contra el operador puede afectar su estabilidad.

Se permite el uso del accesorio de barredora PowerSweep KW solamente con las siguientes herramientas motorizadas básicas:

STIHL FC 95, STIHL FC 110, STIHL FH 75, STIHL FS 65-4<sup>1)</sup>, STIHL FS 83<sup>1)</sup>, STIHL FS 85<sup>1)</sup>, STIHL FS 90<sup>1)</sup>, STIHL FS 100<sup>1)</sup>, STIHL FS 110<sup>1)</sup>, STIHL HL 73<sup>1)</sup>, STIHL HL 75<sup>1)</sup>, STIHL HL 100<sup>1)</sup> y STIHL KW 85

- ⚠ No se permite ninguna otra combinación de accesorio y herramienta motorizada básica no aprobada debido al riesgo de que pueda causar accidentes o lesiones personales graves.

### Adición del mango tórico\*

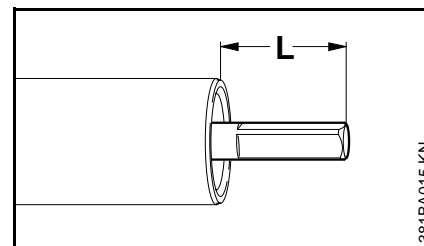
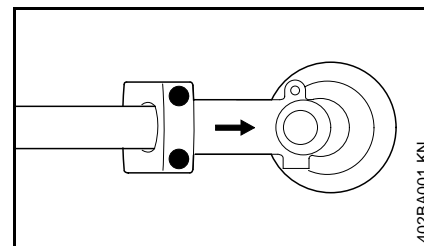
- ⚠ Este accesorio puede usarse solamente con una herramienta motorizada básica equipada con un mango tórico.

💡 El mango tórico no tiene que equiparse con una barra de defensa\*.

En las siguientes máquinas es necesario instalar un mango tórico: **versiones de 0°** de las HL 73, HL 75 y HL 100

- Para instalar el mango tórico, vea "Montaje del mango tórico".
- 1) El accesorio no ha sido aprobado para uso en máquinas con manillar tipo bicicleta o en los modelos FS 85 X, FS 110 X, HL 73 K, HL 73-0°, HL 75 K, HL 75-0°, HL 100 K y HL 100-0°

\* vea "Guía para el uso de este manual"



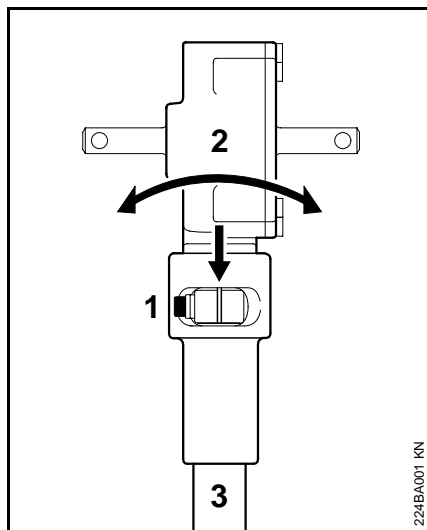
### Preparaciones

- Afloje los tornillos de fijación del mecanismo de la herramienta motorizada y después extráigalo del tubo de mando.
- 💡 El eje impulsor puede deslizarse fuera del tubo cuando se extrae el mecanismo. Si esto sucede, empuje el eje impulsor de vuelta en el tubo.

El eje impulsor no debe sobresalir del tubo más de L (22 mm ó 7/8 pulg). De ser necesario, aplique una ligera presión en el eje impulsor y al mismo tiempo gírelo lentamente hasta que se pueda empujarlo hasta el largo requerido.

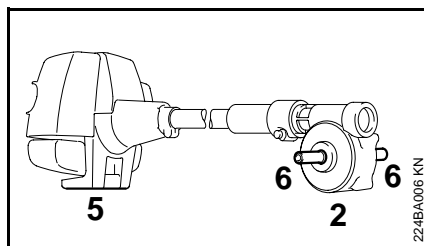
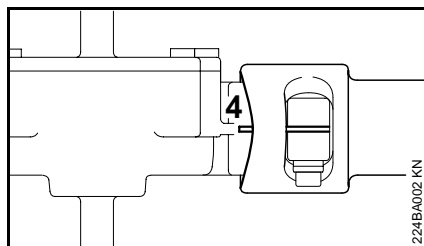


## Montaje de los tambores barredores

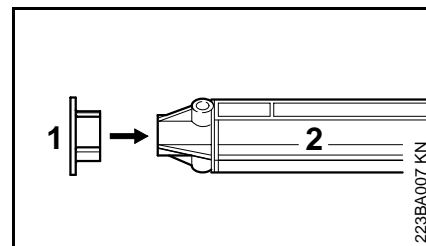


### Montaje de la caja de engranajes

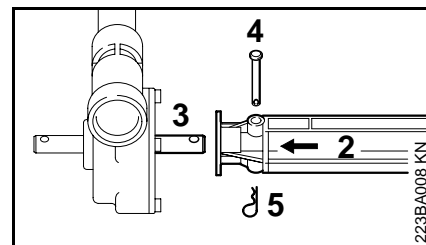
- Suelte el tornillo de fijación (1).
- Deslice la caja de engranajes (2) sobre el tubo de mando (3), y al mismo tiempo gírela a uno y otro lado.



- Una vez que el extremo del tubo de mando se inserta más allá que la ranura en la abrazadera (4) – mueva el manguito de caucho a un lado para comprobar esto – empuje la caja de engranajes directamente hasta el tope.
- Coloque el tornillo de fijación y apriételo hasta el tope.
- Alinee la caja de engranajes (2) en el tubo de mando, de tal modo que el apoyo de la máquina (5) en el motor quede orientado hacia abajo y los ejes de salida (6) estén horizontales.
- Apriete los tornillos de fijación **bien firmes**.
- Pase a "Montaje de los tambores barredores".

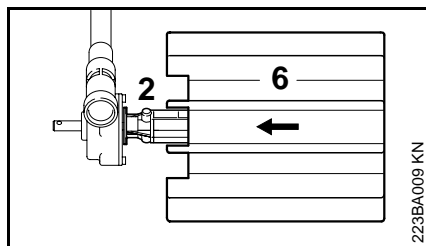


- Coloque el escudo para césped (1) en el extremo del eje (2) y empujelo a su lugar hasta donde tope.

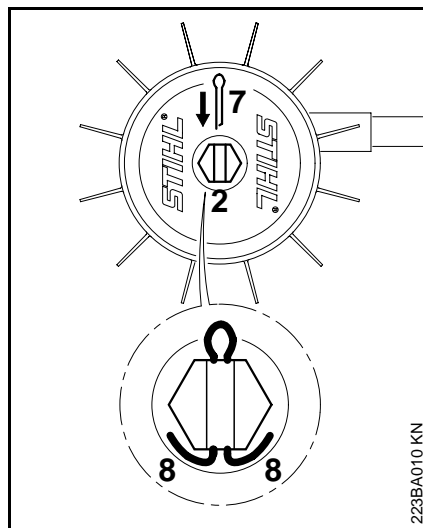


- Empuje el eje (2) en el eje de salida (3).
- Inserte el pasador (4) a través del eje y del eje de salida. Fije el pasador con el pasador hendido (5).

## Montaje del mango tórico

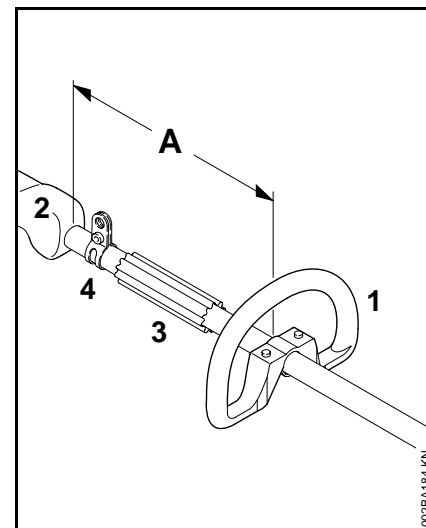


- Empuje el conjunto de tambor barredor (6) en el eje (2). Observe la posición del conjunto instalado (vea la ilustración).



- Coloque el pasador hendido nuevo (7) en el extremo del eje (2) y dóblele los extremos (8), como se muestra.
- Repita el procedimiento anterior en el otro lado.

**⚠** Instale siempre los dos conjuntos de tambores barredores!

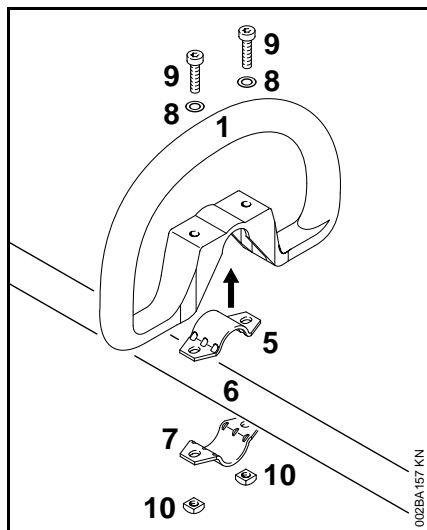


### Posición del mango tórico

- Fije el mango tórico (1) en el tubo de mando, a aproximadamente 20 cm (8 pulg) (A) delante del mango de control (2).
- Asegúrese que las piezas que ya están colocadas, por ej., el espaciador\* (3) y la argolla de transporte\* (4), se encuentran **entre** el mango tórico y el mango de control

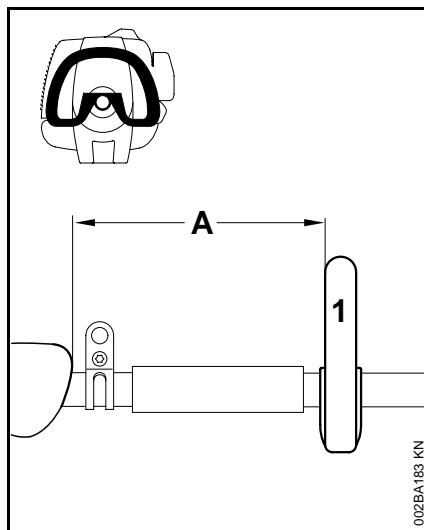
\* Vea "Guía para el uso de este manual"

## Colocación de la argolla de transporte\* (abrazadera)



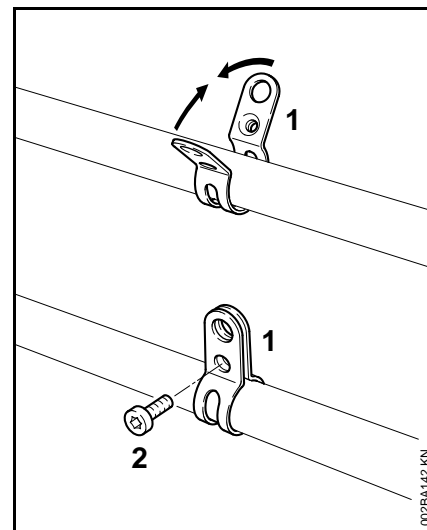
### Montaje del mango tórico

- Coloque la abrazadera (5) en el mango tórico (1) y ponga el mango en posición en el tubo de mando (6).
- Coloque la abrazadera (7).
- Alinee los agujeros.
- Coloque las arandelas (8) en los tornillos (9) y después inserte los tornillos en los agujeros.
- Atornille las tuercas cuadradas (10) hasta el tope.



### Alineación del mango tórico

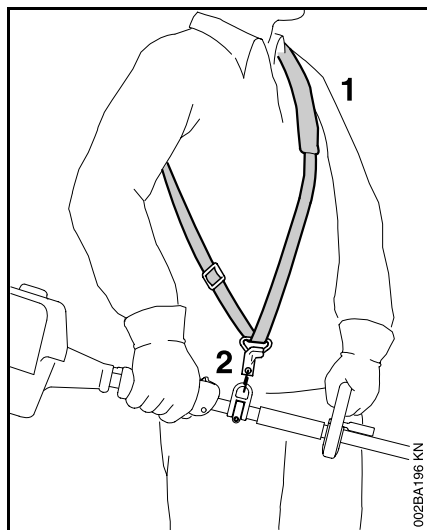
- Ajuste el mango tórico (1) hasta dejarlo en la posición que mejor acomode al usuario y la aplicación.
- ⚠ La distancia **A** no debe medir más de 55 cm (22 pulg). Lo recomendado es aproximadamente 35 cm (14 pulg).
- Apriete firmemente los tornillos del mango tórico.



- Para la posición de la argolla de transporte (abrazadera)\*, vea "Montaje del mango tórico".
- Coloque la abrazadera (1) con el agujero roscado hacia el lado izquierdo del tubo de mando (visto desde el motor).
- Apriete juntos los extremos de la abrazadera y sosténgala en esa posición.
- Inserte el tornillo M6 x 14 (2).
- Alinee la argolla de transporte.
- Apriete el tornillo.

\* Vea "Guía para el uso de este manual"

## Colocación del arnés\*

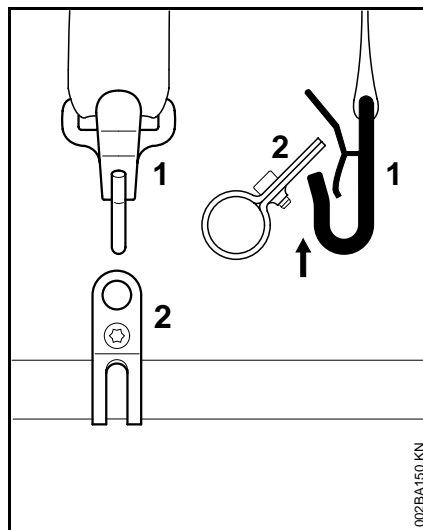


### Correa para hombro

- Colóquese la correa (1) sobre el hombro.
- Ajuste el largo de la correa hasta que el gancho de resorte (2) esté a una distancia más o menos igual al ancho de la mano por debajo de la cadera derecha.
- Equilibre la PowerSweep – vea "Equilibrio de la máquina".

\* Vea "Guía para el uso de este manual"

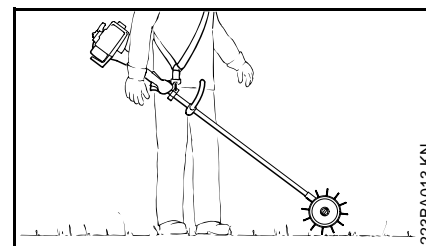
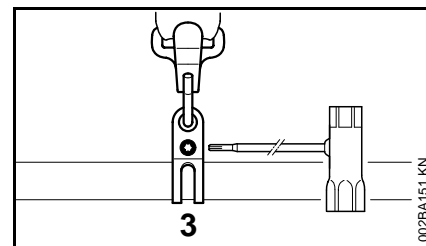
## Equilibrio de la máquina



### Fijación de la máquina al arnés\*

- Enganche el gancho de resorte (1) en la abrazadera\* (2).

\* Vea "Guía para el uso de este manual"

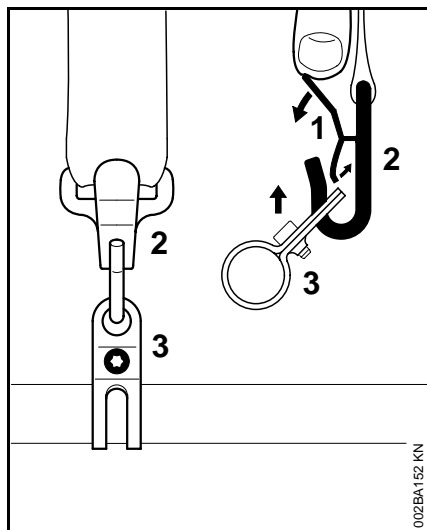


- Suelte el tornillo (3).

### Equilibrio de la máquina

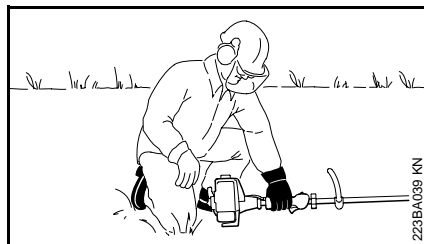
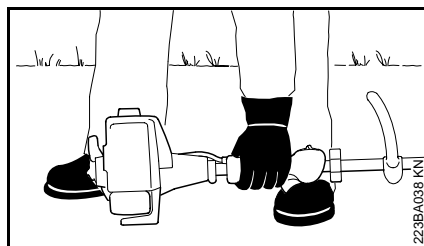
- Deslice la abrazadera hacia arriba o hacia abajo en el tubo de mando, de tal modo que las correas de la barredora toquen el suelo.
- Apriete el tornillo bien firme.

## Arranque / parada del motor



### Desconexión de la máquina del arnés

- Empuje la barra (1) del gancho de resorte (2) hacia abajo.
- Tire de la abrazadera (3) para sacarla del gancho de resorte.



### Arranque

Siga siempre las instrucciones de arranque indicadas en el manual del propietario de la herramienta motorizada básica que está utilizando.

- Asegúrese de tener los pies bien apoyados – los tambores de la barredora pueden tocar el suelo, pero no deben quedar en contacto con otros obstáculos.
- Sujete la máquina con la mano izquierda en el mango de control y empujela **firmemente** hacia abajo.

⚠ Si se arranca el motor en la posición de arranque **START**, los tambores de la barredora pueden girar tan pronto arranque el motor y pueden causar el movimiento del accesorio PowerSweep. Por este motivo, no haga funcionar el motor por más tiempo que el necesario con el acelerador en la **posición de arranque**.

### Para apagar el motor

- Mueva el control deslizante en el sentido indicado por la flecha (→) a **STOP** – [ ] o mueva el interruptor de parada a la posición [ ].

## Instrucciones de manejo

### Durante el funcionamiento

No haga funcionar el motor a aceleración máxima sin carga. Cuando funciona sin carga, el motor alcanza una velocidad muy alta, lo que causa el aumento innecesario de la temperatura de la caja de engranajes.

### Después de terminar el trabajo

Almacenamiento de la máquina por corto tiempo:

Espere que el motor se enfríe. Guarde la máquina con el **tanque de combustible vacío** en un lugar seco y alejado de las fuentes de encendido hasta que la vuelva a necesitar. En intervalos regulares, revise el apriete de todos los tornillos y tuercas accesibles, y vuelva a apretarlos como sea necesario.

Almacenamiento por tiempo prolongado:

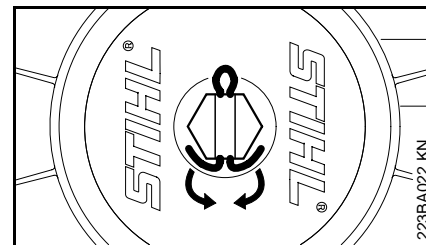
Vea el capítulo "Almacenamiento de la máquina".

## Almacenamiento de la máquina

Para intervalos de 3 meses o más:

- Retire y limpie los accesorios barredores e inspecciónelos en busca de daños o desgaste.
- Guarde la máquina en un lugar seco y elevado, o bajo llave – fuera del alcance de los niños y de otras personas no autorizadas.

## Sustitución del tambor barredor



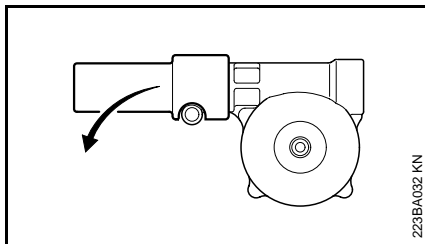
- Enderece los extremos del pasador hendido y después sáquelo.
- Tire del tambor barredor para sacarlo del eje.
- Repita el procedimiento anterior en el otro lado.
- Inspeccione la caja de engranajes para ver si hay indicios de aceite. Si encuentra alguna fuga, solicite al concesionario STIHL que revise la caja de engranajes.
- Instale los tambores barredores nuevos. Vea "Montaje de los tambores barredores".

## Sustitución del manguito de caucho

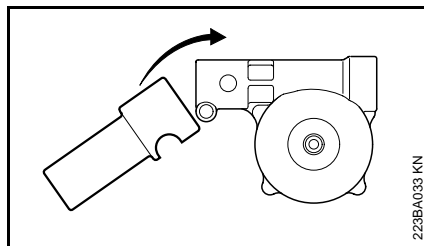
El manguito de caucho protege al tubo de mando contra el desgaste causado por el contacto con las correas de la barredora.

Un manguito desgastado debe sustituirse de la manera siguiente:

- Saque los tambores barredores. Vea "Sustitución de los tambores barredores".
- Retire la caja de engranajes. Vea "Retiro de la caja de engranajes".

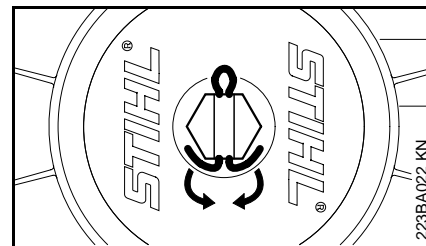


- Extraiga el manguito desgastado de la caja de engranajes.

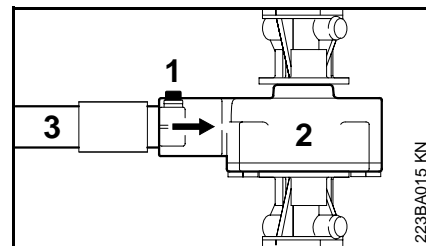


- Coloque un **manguito nuevo** empujándolo sobre la caja de engranajes.
- Instale la caja de engranajes. Vea "Instalación de la caja de engranajes".
- Instale los tambores barredores. Vea "Montaje de los tambores barredores".

## Retiro de la caja de engranajes

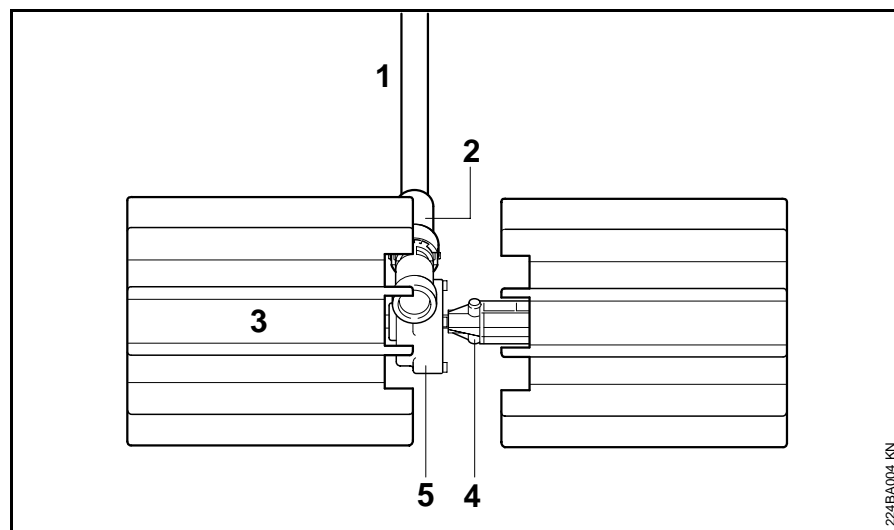


- Enderece los extremos del pasador hendido y después sáquelo.
- Tire del tambor barredor para sacarlo del eje.
- Inspeccione la caja de engranajes para ver si hay indicios de aceite. Si encuentra alguna fuga, solicite al concesionario STIHL que revise la caja de engranajes.
- Repita el procedimiento anterior en el otro lado.



- Suelte el tornillo de fijación (1).
- Tire de la caja de engranajes (2) para sacarla del tubo de mando (3).

## Piezas principales



- 1 = Eje
- 2 = Manguito
- 3 = Conjunto de tambor barredor
- 4 = Eje
- 5 = Caja de engranajes

## Definiciones

1. **Eje.**  
Dispositivo que conecta el motor con la caja de engranajes.
2. **Manguito (protector del eje).**  
Diseñado para proteger al eje contra la abrasión causada por las aletas de la barredora.
3. **Conjunto de tambor barredor.**  
Herramienta para barrer y limpiar.
4. **Eje.**  
Conecta el conjunto de tambor barredor con el eje impulsor.
5. **Caja de engranajes.**  
Para reducir la velocidad del motor a la velocidad más baja de los tambores barredores.

## Especificaciones

### Motor

Vea el manual de instrucciones de la herramienta motorizada básica.

### Peso

Accesorio Power-Sweep	4,8 kg (10,5 lb)
Accesorio intercambiable	5,4 kg (11,9 lb)

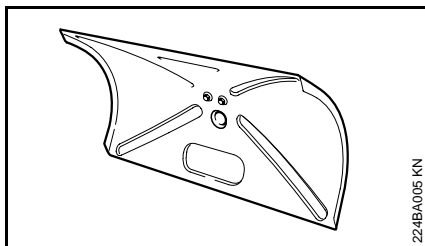
### Tambor barredor

Cantidad	2
Ancho	57 cm (22 pulg)
N° de paletas de caucho	12

224BA004 KN



## Accesorios especiales



Deflector 4602 007 1001

Correas de barredora

Anteojos de seguridad

Arnés


Llave combinada

Póngase en contacto con el concesionario STIHL para obtener la información más reciente sobre éstos y otros accesorios especiales.

## Mantenimiento y reparaciones

Los usuarios de esta máquina deben efectuar únicamente los trabajos de mantenimiento descritos en este manual. Solamente los talleres autorizados por STIHL deben llevar a cabo los demás trabajos de reparación.

Los reclamos de garantía presentados después de realizadas las reparaciones serán aceptados únicamente si las mismas fueron ejecutadas por un concesionario de servicio autorizado STIHL utilizando piezas de repuesto originales de STIHL.

Es posible identificar las piezas originales de STIHL por el número de pieza **STIHL**, el logotipo de STIHL y, en algunos casos, el símbolo  de piezas STIHL. En las piezas pequeñas el símbolo puede aparecer solo.

**0458 224 8621**

**englisch / English USA / spanisch / español EE.UU**