

HANDLE ADJUSTMENT:

The handle is designed to fold down for trimming under toe spaces. To adjust, loosen the three-arm knob at the handle bolt, then press down on the top of the handle. You can now rotate the handle, set at the desired height, and retighten the knob.

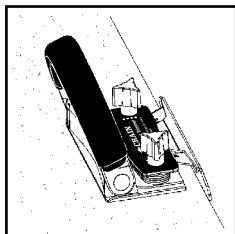


FIG. 10

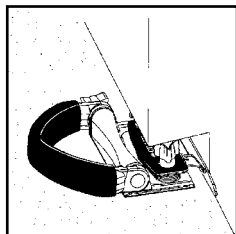


FIG. 11

OPERATING:

1. Two or three feet from the corner, make a starter cut three to four inches long, leaving excess carpet running up the wall.

2. Place the trimmer into the cut. Keep the bottom of the trimmer flat against the carpet, and the bottom edge of the wall runner at the junction of the floor and the wall. (See fig. 12.)

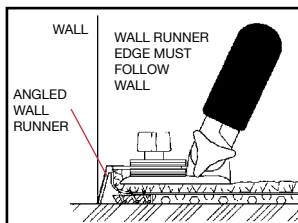


FIG. 12

3. Push the trimmer along the wall with your outside hand. Using your inside, or wall-side hand, pull the carpet being trimmed. (See fig. 13.) The pulling tension on the cut-off piece makes trimming easier.

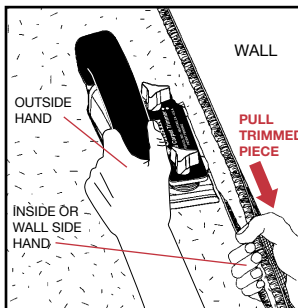
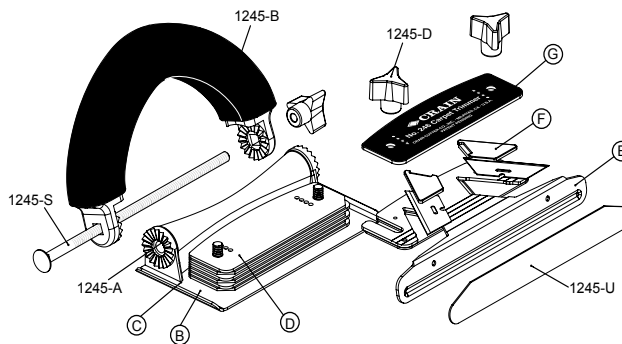


FIG. 13

4. For a clean, smooth, finished edge, the excess is tucked into the gully between the wall and tackless with a stair tool.

REPLACEMENT PARTS:



No. 246 CARPET TRIMMER:

Order No.	Description
1246-B	Base Only
1246-C	Base and Mounting Bracket
1246-D	Spacer Set (6)
1246-E	Wall Runner
1246-F	Blade Clamp Set (2)
1246-G	Cover Plate
PARTS COMMON WITH THE No. 245	
1245-A	Mounting Bracket
1245-B	Ratchet Handle
1245-D	Three Arm Knob Set (3)
1245-S	Carriage Bolt
1245-U	Runner Pad

ORDERING INFORMATION:

Order No.	Description	Weight	Blades
246	Carpet Trimmer	2.61 lbs.	184

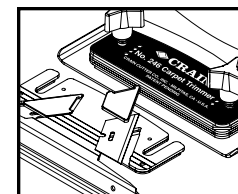
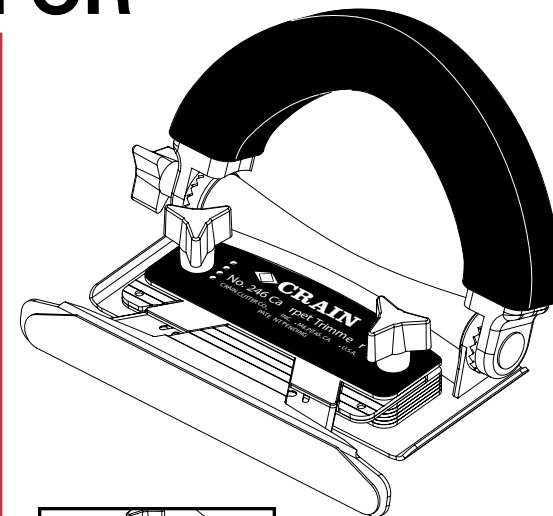
GUARANTEE

This Carpet Trimmer is guaranteed to be free of defects in workmanship or quality of materials for a period of 36 months.

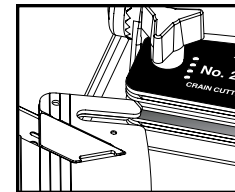
Any parts of the tool found to be defective subject to the guarantee will be replaced at no charge. Credit in full or part cannot be extended by the distributor, nor will new tools be given as replacements or loaners.

Tools subject to this warranty must be accompanied by same, and returned freight PREPAID to Milpitas, CA, and must be in assembled condition.

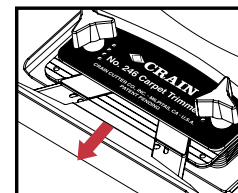
INSTRUCTION MANUAL FOR



QUICK BLADE CHANGE



FAST REINSERTION



FAST THROAT ADJUSTMENT



CRAIN

No. 246 CARPET TRIMMER

PATENT PENDING

CRAIN CUTTER CO., INC.

1155 Wrigley Way, Milpitas, CA 95035
TELEPHONE (408) 946-6100

FEATURES:

- Top loading blade holders allows fast blade change.
- Simple shim adjustment for height of cut. Shims need not be removed to adjust cutting height. Built-in lifter points on the wall runner make it easy to separate the shims and re-insert the blade holder.
- Four position adjustable throat to accommodate varying pile height and density.
- Ratchet handle folds down for trimming under toe-spaces.
- Trims in both directions.
- Stainless steel base plate and wall runner with plastic protective coating are both non-marking and will not rust.

ADJUSTING THE TRIMMER:

BLADE SELECTION:

Unlike utility blades, trimmer blades are beveled on one side only. (See figure 1.) It is important to keep the beveled edge of the trimmer blade up. This causes the nap of the carpet being cut to be deflected up and away from the trimmer.

With the beveled edge of the blade down, the cut nap will be pushed down, underneath the wall runner. This causes the trimmer to rise and gives you a longer cut than desired.

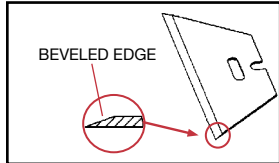


FIG. 1

USE ONLY TRIMMER BLADES!
ONLY ONE BEVELED EDGE FACING UP!

BLADE CHANGING - REMOVING THE WALL RUNNER:

Loosen both three-arm knobs on the top of the shim deck. Lift the wall runner slightly and then pull out to remove it from the shim deck.

1. LOOSEN THREE ARM KNOBS

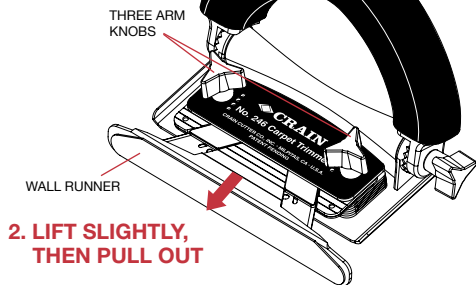


FIG. 2

2. LIFT SLIGHTLY, THEN PULL OUT

BLADE REMOVAL:

Lift the blade clamp out of the blade pocket area. You may now remove the blade.

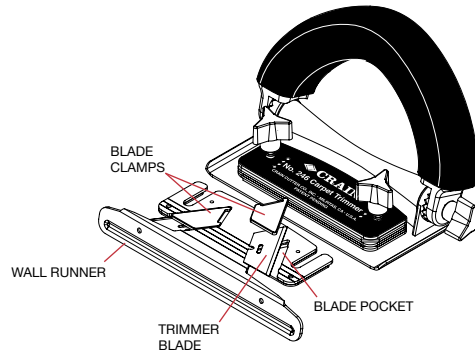


FIG. 3

INSERTING THE NEW BLADE:

Place a new blade bevel side up in the blade pocket, and push it forward as far as possible until it contacts the inner edge of the wall runner. After pressing the blade forward, a rectangular hold in the blade pocket becomes visible. Place the blade clamp back in the blade pocket with the indent in the back edge of the blade clamp seated in the rectangular hole.

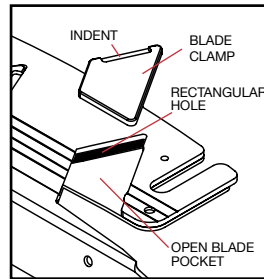


FIG. 4 - Blade Removed

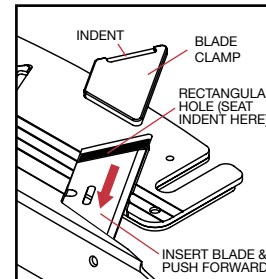


FIG. 5 - Blade Inserted

WALL RUNNER REINSERTION AND BLADE HEIGHT:

Insert the lifter point of the wall runner into a lifter socket in the shim deck that provides the desired height of cut. (See figure 6.) Lifting at the corner allows the rest of the wall runner to be easily reinserted.

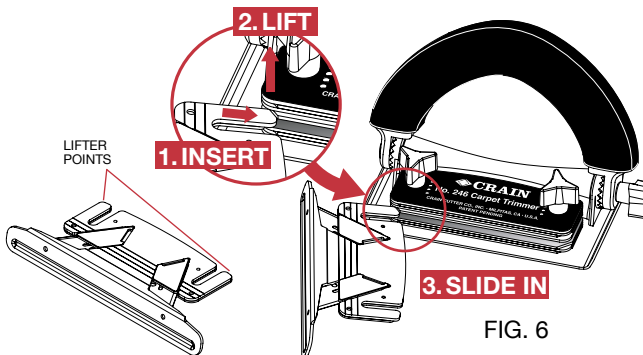


FIG. 6

THROAT ADJUSTMENT:

As you are re-inserting the wall runner, you can seat it into one of the four sockets which are visible from the top of the shim deck. (See figure 7.) The four lines inscribed on the top of the wall runner also provide a visual reference. The line which is selected should be made parallel to the shim deck for proper operation. Adjust the throat for specific thickness of carpet to be trimmed.

#1 IS NARROWEST THROAT #4 IS WIDEST THROAT

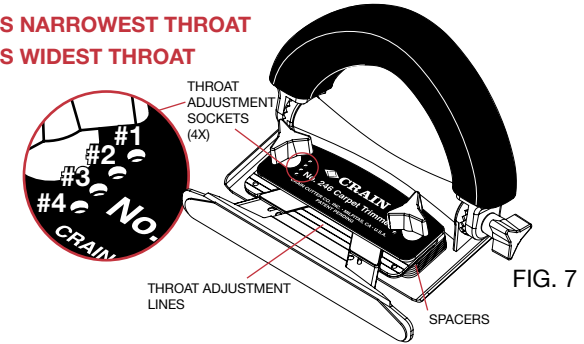


FIG. 7

OPTIMIZING BLADE HEIGHT AND THROAT ADJUSTMENT:

The amount of carpet remaining after trimming is determined by BOTH the blade height AND the throat opening.

The THROAT OPENING holds carpet in proper position. (See figure 8.)

The BLADE HEIGHT determines where the blade will cut. (See figure 9.)

For example: A wide opening (throat position at #4 hole) used on a thin carpet will give you a shorter cut, because the carpet is not held upright, but allowed to lay at an angle. (See figures 8 and 9.)

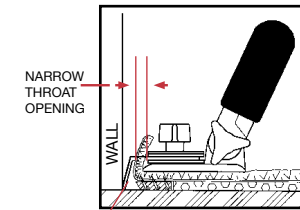


FIG. 8

Narrow throat opening holds carpet upright, allowing a longer cut.

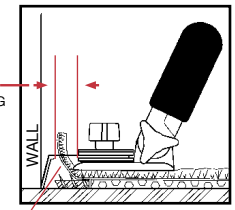


FIG. 9

Wide throat opening allows carpet to lay at an angle, making a shorter cut.

The best multi-purpose setting for trimming most of today's carpets is:

THROAT OPENING: AT #2 HOLE
BLADE HEIGHT: 4 SPACERS

(SEE BACK FOR MORE INSTRUCTIONS.)