



## Tiller

### Toro<sup>®</sup> Sitework<sup>™</sup> Systems Attachment

Model No. 22445—21000001 and Up

## Parts Catalog

---

### Ordering Replacement Parts

To order replacement parts, please supply: the part number, the quantity, and the description of each part desired.

### Understanding Reference Numbers

Each identified part in an illustration has a reference number. The reference number for a part also appears in the parts list, along with other information about the part.

This catalog uses two special reference number formats, one to indicate parts in a service assembly and another to indicate the quantity of a given part in an illustration.

### Service Assembly Reference Numbers

Parts in service assemblies have reference numbers in the form **a:b**. The **a** represents the reference number of the entire service assembly and the **b** represents a sequential number unique to each part within the service assembly.

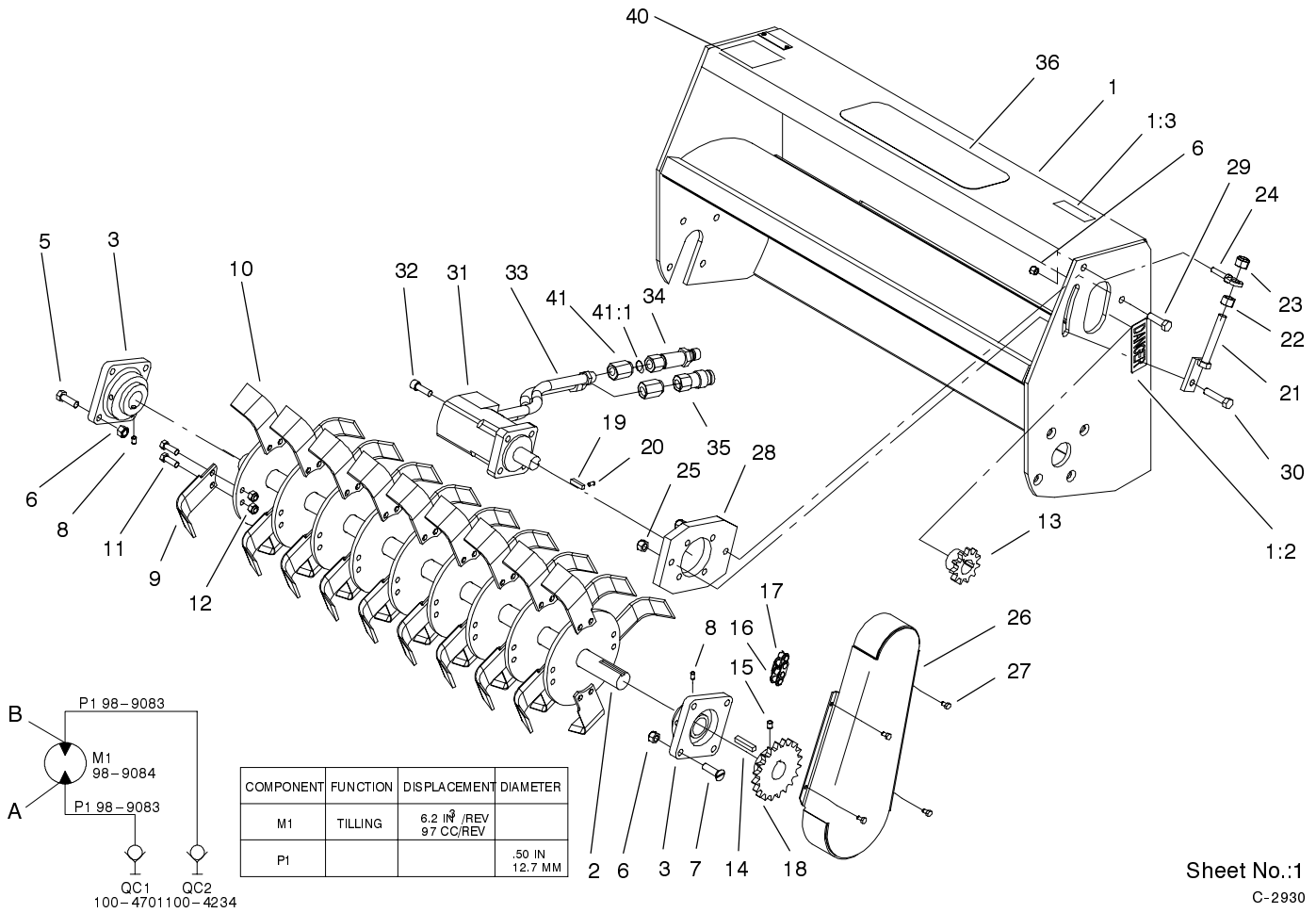
For example, a wheel assembly might be identified by reference number **6**, the tire by **6:1**, the valve by **6:2**, and the wheel by **6:3**. When you order the assembly identified by reference number **6**, you receive all parts identified by reference numbers **6:1**, **6:2**, and **6:3**. However, you may also order any part individually.

Reference numbers of this type appear in illustrations and in part lists.

### Reference Numbers Indicating Quantity

In an illustration, if a reference number indicates more than one part, the reference number has the form **nX y**. The **n** represents the quantity of the part, the **X** is the multiplication symbol, and the **y** represents the reference number.

For example, in an illustration, the reference number **2X 37** means that two of the parts identified by reference number **37** are indicated.



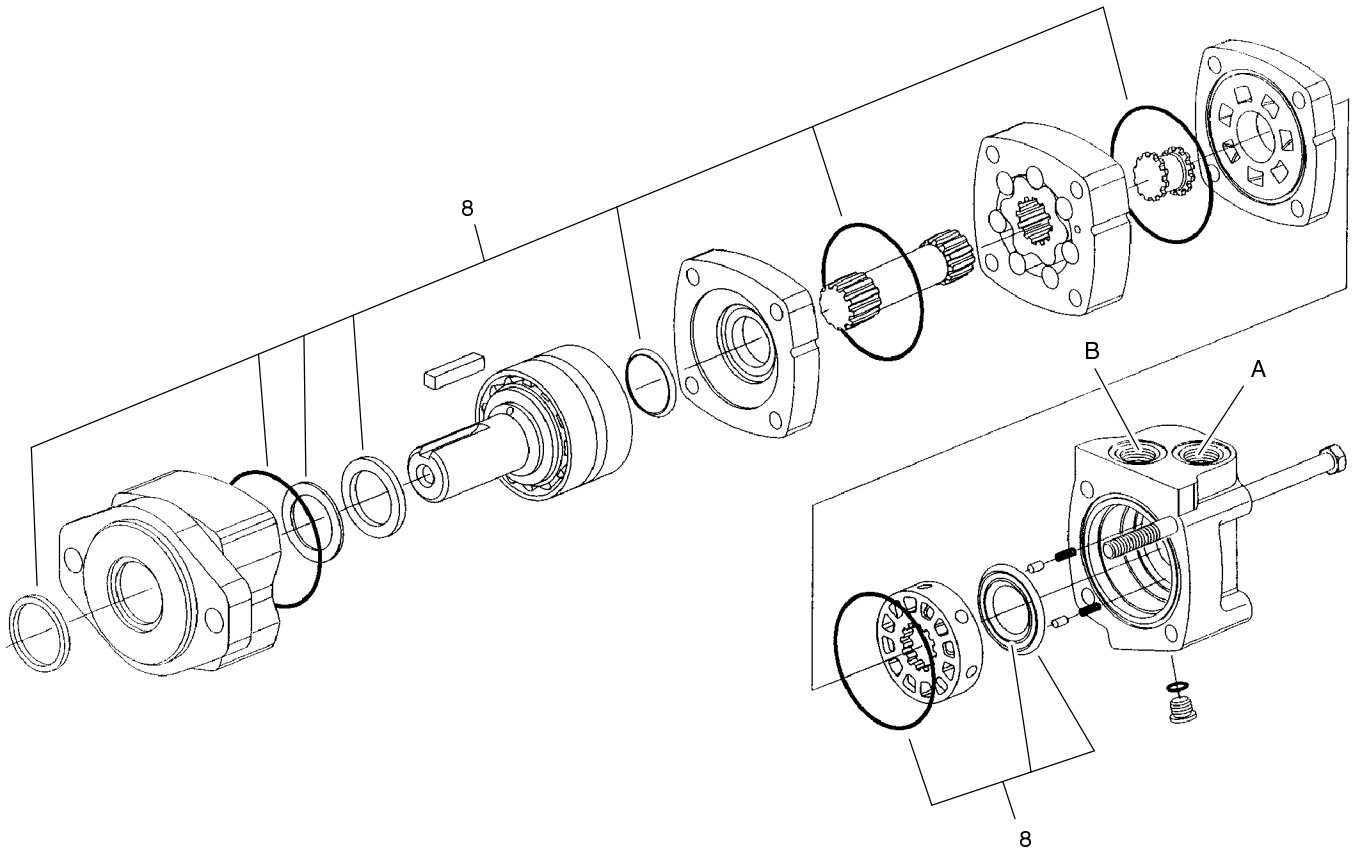
Sheet No.:1  
C-2930

## Tiller Assembly

Ref. No.	Part No.	Qty.	Description
1	99-5046	1	Tiller Frame ASM
1:2	93-7321	2	Decal - Danger
1:3	100-4708	1	Decal-Warning
2	98-9087	1	Shaft - Tine
3	99-9979	2	Bearing ASM
5	325-6	4	Screw-HH
6	3296-23	10	Nut-Lock, NI
7	98-9931	4	Bolt
8	3246-4	2	Screw-Set
9	104-2043	18	Tine-RH
10	104-2044	18	Tine-LH
11	324-29	72	Bolt-HH
12	32146-7	72	Nut
13	98-9085	1	Sprocket
14	98-9935	1	Key - Square
15	3247-3	2	Screw-Set
16	98-9088	1	Chain - Roller
17	98-9089	1	Link - Connecting
18	98-9086	1	Sprocket
19	98-9934	1	Key - Square
20	3246-4	2	Screw-Set
21	98-9082	1	Chain Adjustment ASM
22	3219-6	1	Nut-Hex
23	3296-41	1	Nut-Lock NI
24	99-5044	1	Holder-Adjustment

Ref. No.	Part No.	Qty.	Description
25	3296-23	1	Nut-Lock, NI
26	98-9071	1	Cover - Chain, Tiller
27	321-2	4	Screw-HH
28	98-9070	1	Plate-Mount, Motor
29	325-8	1	Screw-HH
30	325-10	1	Screw-HH
31	98-9084	1	Motor - Hydraulic
32	3274-4	4	Screw-HSH
33	98-9083	2	Hose - Hydraulic
34	100-4701	1	Nipple-Connect, Pressure
*34:1	100-6120	1	Kit-Seal
35	100-4234	1	Coupler-Face, Flush
*35:1	100-6119	1	Kit-Seal
36	100-8828	1	Decal-Dingo, Front
40	98-3269	1	Decal-Made In USA
41	100-4618	2	Adapter-HYD
41:1	237-80	1	O-Ring

\* Not illustrated



Sheet No.:A1  
C-2931

### Hydraulic Motor Assembly No. 98-9084

Ref. No.	Part No.	Qty.	Description
8	56-6890	1	Kit-Seal

Ref. No.	Part No.	Qty.	Description

