

OPERATIONS MANUAL



***WHITEMAN* SERIES**
MODEL WM-90S (STEEL)
MODEL WM-90P (PLASTIC)
PLASTER AND MORTAR MIXER
(GASOLINE ENGINE/ELECTRIC MOTOR)

Revision #1 (08/10/04)

**THIS MANUAL MUST ACCOMPANY
THE EQUIPMENT AT ALL TIMES.**



WARNING



CALIFORNIA — Proposition 65 Warning

Engine exhaust and some of its constituents, and some dust created by power sanding, sawing, grinding, drilling and other construction activities contains chemicals known to the State of California to cause cancer, birth defects and other reproductive harm. Some examples of these chemicals are:

- Lead from lead-based paints.
- Crystalline silica from bricks.
- Cement and other masonry products.
- Arsenic and chromium from chemically treated lumber.

Your risk from these exposures varies, depending on how often you do this type of work. To reduce your exposure to these chemicals: **ALWAYS** work in a well ventilated area, and work with approved safety equipment, such as dust masks that are specially designed to filter out microscopic particles.

HERE'S HOW TO GET HELP

PLEASE HAVE THE MODEL AND SERIAL
NUMBER *ON-HAND* WHEN CALLING

MULTIQUIP CORPORATE OFFICE

18910 Wilmington Ave.

Carson, CA 90746

Email: mq@multiquip.com

Internet: www.multiquip.com

800-421-1244

FAX: 310-537-3927

PARTS DEPARTMENT

800-427-1244

310-537-3700

FAX: 800-672-7877

FAX: 310-637-3284

MAYCO PARTS

800-306-2926

310-537-3700

FAX: 800-672-7877

FAX: 310-637-3284

SERVICE DEPARTMENT

800-421-1244

310-537-3700

FAX: 310-537-4259

TECHNICAL ASSISTANCE

800-478-1244

FAX: 310-631-5032

WARRANTY DEPARTMENT

800-421-1244, EXT. 279

310-537-3700, EXT. 279

FAX: 310-537-1173

© COPYRIGHT 2004, Multiquip INC.

Multiquip Inc, the MQ logo and the Whiteman logo are registered trademarks of Multiquip Inc. and may not be used, reproduced, or altered without written permission. All other trademarks are the property of their respective owners and used with permission.

This manual **MUST** accompany the equipment at all times. This manual is considered a permanent part of the equipment and should remain with the unit if resold.

The information and specifications included in this publication were in effect at the time of approval for printing. Illustrations are based on the *MQ Whiteman WM-90 Series Plaster/Mortar Mixer*. Illustrations, descriptions, references and technical data contained in this manual are for guidance only and may not be considered as binding. Multiquip Inc. reserves the right to discontinue or change specifications, design or the information published in this publication at any time without notice and without incurring any obligations.

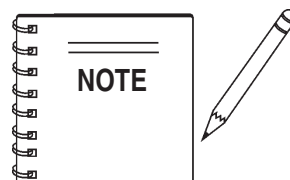
**To find the latest revision of this
publication, visit our website at:
www.multiquip.com**



WM-90 PLASTER/MORTAR MIXER — TABLE OF CONTENTS

MQ WHITEMAN — WM-90 SERIES PLASTER/MORTAR MIXER

| | |
|--|-------|
| Here's How To Get Help | 3 |
| Table Of Contents | 4 |
| Parts Ordering Procedures | 5 |
| Specifications | 6 |
| Dimensions | 7 |
| Safety Messages Alert Symbols | 8-9 |
| Rules For Safe Operation | 10-11 |
| Towing Guidelines | 12 |
| Safety Chain Connection | 13 |
| Operation and Safety Decals | 14 |
| General Information | 15 |
| Major Components | 16 |
| Basic Engine Components | 17 |
| Electric Motor | 18-19 |
| Paddle Blade Adjustment (Steel Drum) | 20 |
| Paddle Blade Adjustment (Poly Drum) | 21 |
| Inspection | 22-23 |
| Start-Up Procedures | 24-26 |
| Operation | 26 |
| Shut-Down Procedures | 27 |
| Maintenance (Engine) | 28-29 |
| Maintenance (Mixer) | 30-34 |
| Troubleshooting (Engine) | 35-36 |
| Troubleshooting (Mixer/Electric Motor) | 37 |
| Electric Motor Wiring Diagram | 38 |



***Specifications and are
subject to change without
notice.***

PARTS ORDERING PROCEDURES

When ordering parts, please supply the following information:

- Dealer account number
- Dealer name and address
- Shipping address (if different than billing address)
- Return fax number
- Applicable model number
- Quantity, part number and description of each part
- Specify preferred method of shipment:
 - ✓ FedEx or UPS Ground
 - ✓ FedEx or UPS Second Day or Third Day
 - ✓ FedEx or UPS Next Day
 - ✓ Federal Express Priority One
 - ✓ DHL
 - ✓ Truck

Note: Unless otherwise indicated by customer, all orders are treated as "Standard Orders", and will ship within 24 hours. We will make every effort to ship "Air Shipments" the same day that the order is received, if prior to 2PM west coast time. "Stock Orders" must be so noted on fax or web forms.



Here's how to get help...

Please have the model and serial number on hand when calling.

MULTIQUIP CORPORATE OFFICE

18910 Wilmington Ave. 800-421-1244
 Carson, CA 90746 FAX: 310-537-3927
 Email: mq@multiquip.com
 Internet: www.multiquip.com

PARTS DEPARTMENT

800-427-1244 FAX: 800-672-7877
 310-537-3700 FAX: 310-637-3284

MAYCO PARTS

800-306-2926 FAX: 800-672-7877
 310-537-3700 FAX: 310-637-3284

SERVICE DEPARTMENT

800-421-1244 FAX: 310-537-4259
 310-537-3700

TECHNICAL ASSISTANCE

800-478-1244 FAX: 310-631-5032

WARRANTY DEPARTMENT

800-421-1244, EXT. 279 FAX: 310-537-1173
 310-537-3700, EXT. 279

Place Your Parts Order Via Web or Fax For Even More Savings!

(Domestic USA Dealers Only)

Extra Discounts!

All parts orders which include complete part numbers and are received by our automated web parts order system, or by fax qualify for the following extra discounts:

| Ordered via | Standard orders | Stock orders (\$750 list and above) |
|-------------|-----------------|-------------------------------------|
| Fax | 3% | 10% |
| Web | 5% | 10% |

Special freight allowances when you order 10 or more line items via Web or Fax! **

FedEx Ground Service *at no charge for freight*

No other allowances on freight shipped by any other carrier.

***Common nuts, bolts and washers (all items under \$1.00 list price) do not count towards the 10+ line items.*

NOTE: DISCOUNTS ARE SUBJECT TO CHANGE



Multiquip INC.
 18910 WILMINGTON AVENUE
 POST OFFICE BOX 6254
 CARSON, CALIFORNIA 90749
 310-537-3700 • 800-421-1244
 FAX: 310-537-3927
 E-MAIL: mq@multiquip.com
 INTERNET: www.multiquip.com

Direct TOLL-FREE access to our Parts Department:

Toll-free nationwide — 800-427-1244

Toll-free FAX — 800-6-PARTS-7 (800/672-7877)

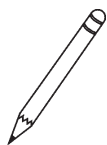
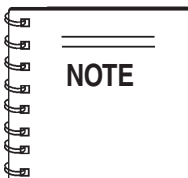
WM-90 PLASTER/MORTAR MIXER — SPECIFICATIONS

TABLE 1. MIXER SPECIFICATIONS

| | |
|----------------------|---------------------------|
| Capacity | 9.0 cu. ft (254.8 liters) |
| Bag Capacity | 1-1/2 to 2-1/2 bags |
| Weight | 788 lbs. (357 kg.) |
| Height W/Dump Handle | 73 in. (185 cm.) |
| Discharge Height | 21 in. (53 cm.) |
| Drive | V-Belt/Gear |
| Dump Action | Manual |

TABLE 2. SPECIFICATIONS (ENGINE & ELECTRIC MOTOR)

| | Model | HONDA GX240K1HA2 | BALDOR 37F632X963G1 |
|------------------------------|-------------------------------|---|--|
| Engine/Electric Motor | Type | Air-cooled 4 stroke, Horizontal Shaft Gasoline Engine | 3 HP, 115/230, Single Phase Electric Motor |
| | Bore X Stroke | 2.90 in. X 2.30 in. (73 mm x 58 mm) | N/A |
| | Displacement | 14.81 cc | N/A |
| | Max Output | 8.0 H.P./3600 R.P.M. | 3 H.P./1140 RPM |
| | Fuel Tank Capacity | Approx. 1.59 U.S. Gallons (6 Liters) | N/A |
| | Fuel | Unleaded Gasoline | N/A |
| | Lube Oil Capacity | 2-1/3 pints | N/A |
| | Speed Control Method | Centrifugal Fly-weight Type | N/A |
| | Starting Method | Recoil Start | N/A |
| | Dimensions (L x W x H) | 14.0 x 16.9 X 16.1 in. (355 X 430 X 410 mm) | 13.3 x 8.7 X 9.06 in. (338 X 220 X 230 mm) |
| Dry Net Weight | 55.1 lbs. (25 Kg.) | Approx. 44 lbs. (20 Kg.) | |



In accordance with our established policy of constant improvement, we reserve the right to amend these specifications at any time without notice.

WM-90 PLASTER/MORTAR MIXER — DIMENSIONS

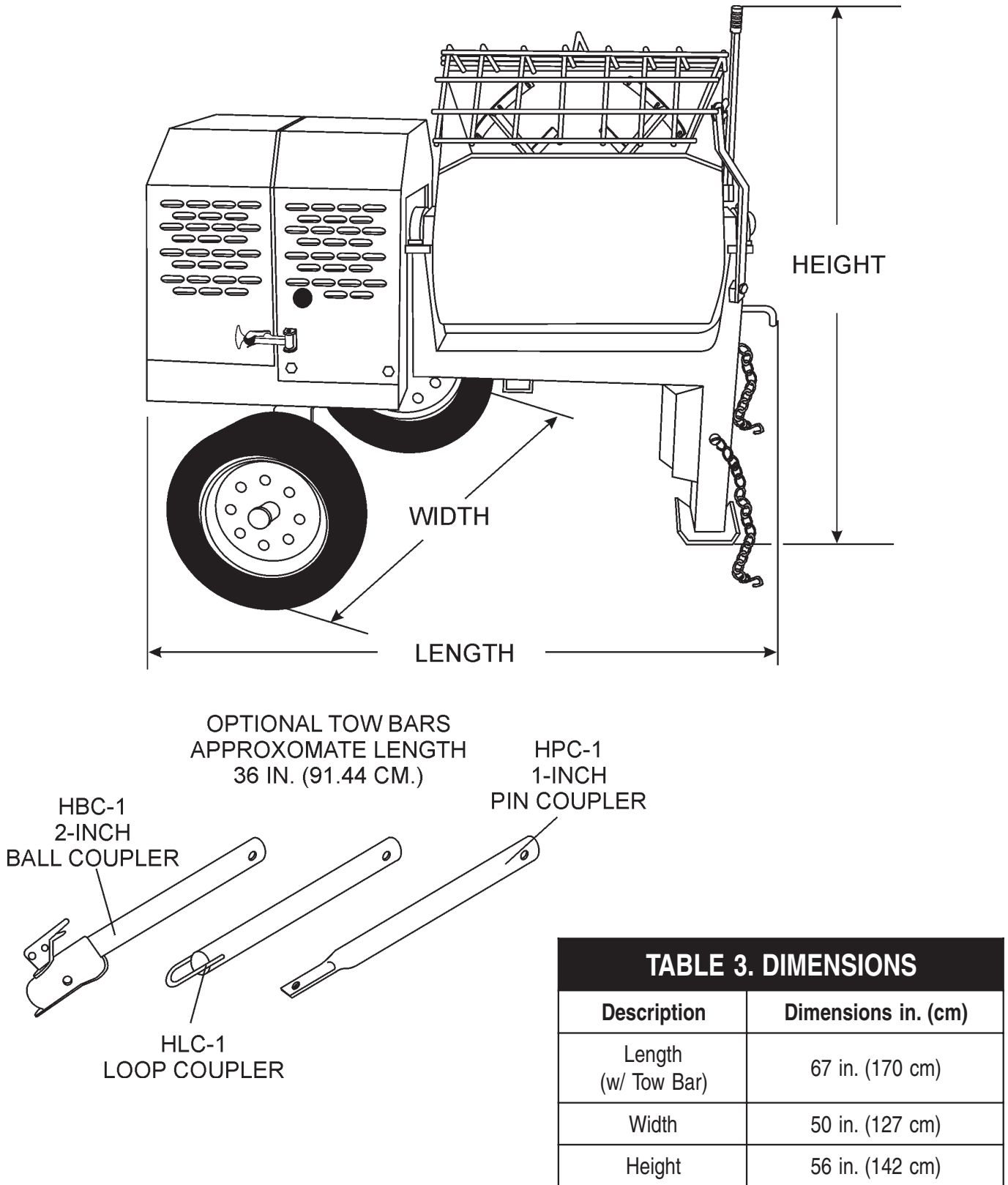
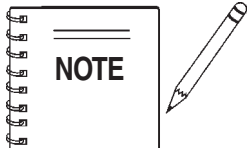


Figure 1. Dimensions

WM-90 PLASTER/MORTAR MIXER — SAFETY MESSAGE ALERT SYMBOLS

FOR YOUR SAFETY AND THE SAFETY OF OTHERS!

Safety precautions should be followed at all times when operating this equipment. Failure to read and understand the Safety Messages and Operating Instructions could result in injury to yourself and others.



This Owner's Manual has been developed to provide complete instructions for the safe and efficient operation of the **MQ Whiteman WM-90 mortar and plaster** mixer. Refer to the engine manufacturers

instructions for data relative to its safe operation.

Before using this mixer, ensure that the operating individual has read and understands all instructions in this manual.

SAFETY MESSAGE ALERT SYMBOLS

The three (3) Safety Messages shown below will inform you about potential hazards that could injure you or others. The Safety Messages specifically address the level of exposure to the operator, and are preceded by one of three words: **DANGER**, **WARNING**, or **CAUTION**.

DANGER

You **WILL** be **KILLED** or **SERIOUSLY** injured if you **DO NOT** follow directions.

WARNING

You **CAN** be **KILLED** or **SERIOUSLY** injured if you **DO NOT** follow directions.

CAUTION

You **CAN** be **INJURED** if you **DO NOT** follow directions.

HAZARD SYMBOLS

Potential hazards associated with the operation of an **WM-90 Plaster/Mortar Mixer** will be referenced with Hazard Symbols which appear throughout this manual, and will be referenced in conjunction with Safety Message Alert Symbols.

WARNING Lethan Exhaust Gas Hazards

Engine exhaust gases contain poisonous carbon monoxide. This gas is colorless and odorless, and can cause death if inhaled. **NEVER** operate this equipment in a confined area or enclosed structure that does not provide ample free flow air.



WARNING Explosive Fuel Hazards

Gasoline is extremely flammable, and its vapors can cause an explosion if ignited. **DO NOT** start the engine near spilled fuel or combustible fluids.



DO NOT fill the fuel tank while the engine is running or hot. **DO NOT** overfill tank, since spilled fuel could ignite if it comes into contact with hot engine parts or sparks from the ignition system. Store fuel in approved containers, in well-ventilated areas and away from sparks and flames.

WARNING Burn Hazards

Engine components can generate extreme heat. To prevent burns, **DO NOT** touch these areas while the engine is running or immediately after operations. Never operate the engine with heat shields or heat guards removed.



WARNING Respiratory Hazards

ALWAYS wear approved **respiratory** protection when required.



WM-90 PLASTER/MORTAR MIXER — SAFETY MESSAGE ALERT SYMBOLS

CAUTION

Rotating Parts Hazards

NEVER operate equipment with covers, or guards removed. Keep fingers, hands, hair and clothing away from all moving parts to prevent injury.



CAUTION

Equipment Damage Hazards

Other important messages are provided throughout this manual to help prevent damage to your light tower, other property, or the surrounding environment.

CAUTION

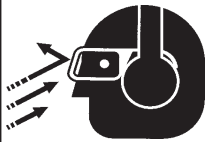
Accidental Starting Hazards

ALWAYS place the power source, circuit breakers or **ON/OFF** switch in the **OFF** position, when the generator is not in use, unless connected to transfer switch.



CAUTION

Eye and Hearing Hazards



ALWAYS wear approved eye and hearing protection.

WM-90 PLASTER/MORTAR MIXER — RULES FOR SAFE OPERATION

DANGER

Read this manual!

Failure to follow instructions in this manual may lead to serious injury or even death! This equipment is to be operated by trained and qualified personnel only! This equipment is for industrial use only.

The following safety guidelines should always be used when operating the WM-70 plaster and mortar mixer:

GENERAL SAFETY

■ **DO NOT** operate or service this equipment before reading this entire manual.



■ This equipment should not be operated by persons under 18 years of age.

■ **NEVER** operate this equipment without proper protective clothing, shatterproof glasses, steel-toed boots and other protective devices required by the job.



■ **NEVER** operate this equipment when not feeling well due to fatigue, illness or taking medicine.



■ **NEVER** operate this equipment under the influence of **drugs** or **alcohol**.



■ **ALWAYS** wear proper respiratory (mask), hearing and eye protection equipment when operating the mixer.



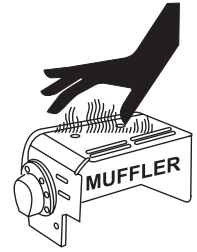
■ **NEVER** place hands inside the drum while the blades are rotating.

■ Whenever necessary, replace nameplate, operation and safety decals when they become difficult read.

■ Manufacture does not assume responsibility for any accident due to equipment modifications.

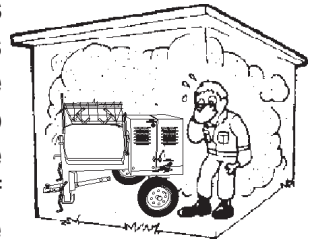
■ **NEVER** use accessories or attachments, which are not recommended by Multiquip for this equipment. Damage to the equipment and/or injury to user may result.

■ **NEVER** touch the hot exhaust manifold, muffler or cylinder. Allow these parts to cool before servicing engine or mixer.



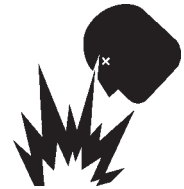
■ **High Temperatures** – Allow the engine to cool before adding fuel or performing service and maintenance functions. Contact with **hot!** components can cause serious burns.

■ The engine section of this mixer requires an adequate free flow of cooling air. **NEVER** operate the mixer in any enclosed or narrow area where free flow of the air is restricted. If the air flow is restricted it will cause serious damage to the mixer or engine and may cause injury to people. Remember the mixer's engine gives off **DEADLY** carbon monoxide gas.



■ **ALWAYS** refuel in a well-ventilated area, away from sparks and open flames.

■ **ALWAYS** use extreme caution when working with **flammable** liquids. When refueling, **stop the engine** and allow it to cool. **DO NOT smoke** around or near the machine. Fire or explosion could result from fuel vapors, or if fuel is spilled on a hot engine.



■ **NEVER** operate the mixer in an explosive atmosphere or near combustible materials. An explosion or fire could result causing severe **bodily harm or even death**.

■ Topping-off to filler port is dangerous, as it tends to spill fuel.

■ Stop the engine when leaving the mixer unattended.

■ Block the unit when leaving or when using on a slope.

■ Maintain this equipment in a safe operating condition at all times.

WARNING

Starting the Mixer Engine

NEVER! start the engine or engage the paddle arms when the drum is in the discharge (down) position.

WM-90 PLASTER/MORTAR MIXER — RULES FOR SAFE OPERATION

- **ALWAYS** stop the engine before servicing, adding fuel and oil.
- **NEVER** run engine without air filter. Severe engine may occur.
- **ALWAYS** service air cleaner frequently to prevent carburetor malfunction.
- **ALWAYS** be sure the operator is familiar with proper safety precautions and operations techniques before using mixer.
- **ALWAYS** store equipment properly when it is not being used. Equipment should be stored in a clean, dry location out of the reach of children.
- **DO NOT** operate this equipment unless all guards and safety devices are attached and in place.
- **CAUTION** must be exercised while servicing this equipment. Rotating and moving parts can cause injury if contacted.
- When towing, an adequate safety chain must be fastened to the frame. See Towing Guidelines section in this manual.
- Keep all ***inexperienced*** and ***unauthorized*** people away from the equipment at all times.
- Unauthorized equipment modifications will void all warranties.
- Check all fasteners periodically for tightness. Also check towing tongue bolt, lock nut and wheel lug nuts for wear.
- Stop the engine and disconnect the spark plug before allowing anybody's hands in the mixing drum.
- **NEVER** pour or spray water over the engine or electric motor.

WARNING

Stand Clear of the Mixer when in use

Always stand clear of the dump handle when the mixer is in operation. Any binding of material between the mixer blades and the drum will cause the drum handle to quickly move and could cause bodily harm.

- Depending on type of mixer, test the ***ON/OFF*** switch for either the gasoline engine or electric motor before operating. The purpose of these switches is to shut down the engine or motor of the mixer.
- Refer to the ***HONDA Engine Owner's Manual*** for engine technical questions or information recommended by Multiquip for this equipment. Damage to the equipment and/or injury to user may result.

TRANSPORTING

- **ALWAYS** shutdown engine before transporting.
- Tighten fuel tank cap securely and close fuel cock to prevent fuel from spilling.
- Drain fuel when transporting mixer over long distances or bad roads.

MAINTENANCE

- **NEVER** lubricate components or attempt service on a running mixer.
- **ALWAYS** allow the mixer a proper amount of time to cool before servicing.
- Keep the mixer in proper running condition.
- Fix damage to the mixer immediately and always replace broken parts.
- Dispose of hazardous waste properly. Examples of potentially hazardous waste are used motor oil, fuel and fuel filters.
- **DO NOT** use food or plastic containers to dispose of hazardous waste.

EMERGENCIES

- **ALWAYS** know the location of the nearest ***fire extinguisher*** and ***first aid kit***.



- In emergencies ***always*** know the location of the nearest phone or ***keep a phone on the job site***. Also know the phone numbers of the nearest ***ambulance***, ***doctor*** and ***fire department***. This information will be invaluable in the case of an emergency.



WM-90 PLASTER/MORTAR MIXER — TOWING GUIDELINES

Towing Safety Precautions



CAUTION

Regularly Inspect Towing Components

To reduce the possibility of an accident while transporting the mixer on public roads, always make sure that the mixer towing components and the towing vehicle are in good operating condition and both units are mechanically sound.

The following list of suggestions should be used when towing the mixer:

- Check with your county or state safety towing regulations department before towing your **mixer**.
- Make sure that the hitch and coupling of the towing vehicle are rated equal to, or greater than the trailer "gross vehicle weight rating" (GVWR).
- **ALWAYS** inspect the hitch and coupling for wear. **NEVER** tow the mixer with defective hitches, couplings, chains etc.
- **CHECK** the tire air pressure on both the towing vehicle and the trailer. Also check the tire tread wear on both vehicles.
- **ALWAYS** make sure the mixer is equipped with a "**Safety Chain**".
- **ALWAYS** attach trailer's safety chain to the frame of towing vehicle.
- **ALWAYS** make sure that the towing vehicle's directional, backup, and brake lights are working properly.
- Remember in most cases the maximum speed unless otherwise posted for highway towing is **55 MPH**, however before towing your mixer, check your local state, and county vehicle towing requirements. Recommended off-road towing is not to exceed **10** or **15 MPH** or less depending on type of terrain.
- Place *chocked blocks* underneath wheels to prevent **rolling**, while parked, if disconnected from towing vehicle.
- Inflate tires to correct pressure, inspect tires for cuts, and excessive wear. See Table 4 (Tire Wear Troubleshooting).
- When towing of the mixer is required, place the drum in the up position (mouth facing upwards) and lock the drum latch.

- **ALWAYS** make sure that the fuel valve lever is in the **OFF** position (gasoline models only).
- Check wheel mounting lug nuts with a **torque wrench**. Torque wheel lug nuts as described in the maintenance section of this manual.
- Check tightness of U-clamp nuts, torque suspension hardware as referenced in the maintenance section of this manual.
- Avoid sudden stops and starts. This can cause skidding, or jackknifing. Smooth, gradual starts and stops will improve gas mileage.
- Avoid sharp turns to prevent rolling.

Tow Bar to Vehicle Connection (Coupler Only)

1. Check the vehicle hitch ball, and mixer's coupler for signs of wear or damage. Replace any parts that are worn or damaged before towing.



CAUTION

Replacing Towing Components

If the mixer tow bar is deformed or damaged, replace the **entire** tow bar. **NEVER** tow the mixer with a defective tow bar. There exists the possibility of the mixer separating from the towing vehicle.

2. Use only a 2-inch ball diameter (towing vehicle), this will match the mixer's 2-inch coupler. Use of any other ball diameter will create an extremely dangerous condition which can result in separation of the coupler and ball or ball failure.
3. After tow bar has been connected to mixer (see next page), attach mixer's coupler to the hitch ball on the towing vehicle securely and make sure the lock lever is in the down position (locked).

Mixer Tow Bar Vehicle Connection (Pentle and Loop)

1. Make sure the bumper on the towing vehicle is equipped to handle either a pentle or loop type tow bar configuration.
2. After tow bar has been connected to mixer (see next page), secure either type of tow bar to the towing vehicle, following state and county towing regulations.
3. As a minimum, use a 1/2-inch bolt and nylock nut grade 5 when securing the tow bar to the towing vehicle and to the unit being towed.

WM-90 PLASTER/MORTAR MIXER — SAFETY CHAIN CONNECTION

CAUTION

Always Tow with a Safety Chain

NEVER! tow the mixer with the safety chain removed. The safety chain is intended to prevent complete separation of the mixer from the towing vehicle in the event of a tow bar failure.

Reference Figure 2 for the installation of the **safety chain**.

Tow Bar to Mixer Connection

1. Insert the tow bar through the round opening at the bottom of the mixer stand.

Align the hole on the tow bar with the hole on the mixer frame, and insert 1/2-inch bolt through tow bar and frame. Secure tow bar to frame with 1/2-inch nylock nut. Tighten to 40 ft.-lbs.

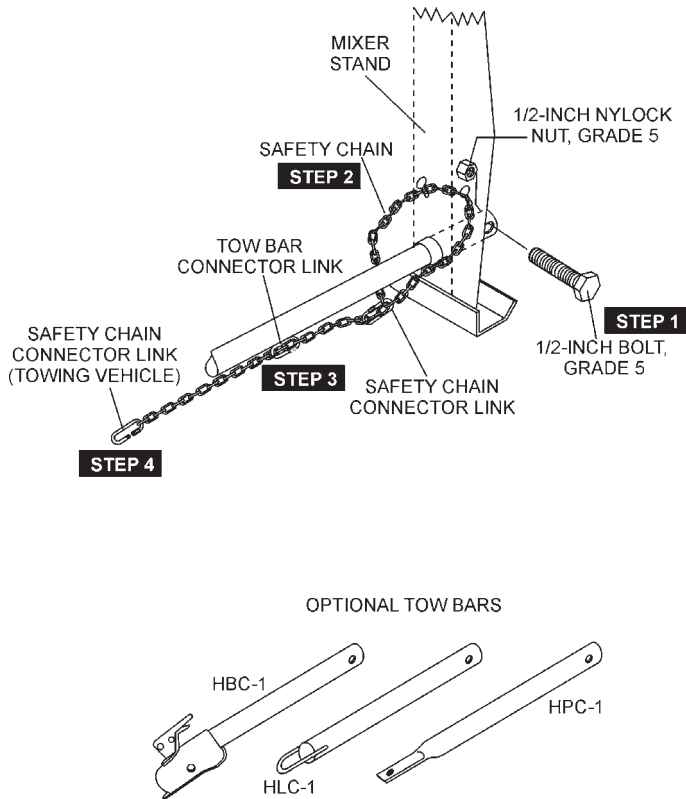


Figure 2 Tow Bar and Safety Chain Installation

2. Route the safety chain through the holes just above the tow bar, located on each side of the mixer stand. Loop the chain together and place under the tow bar. Secure the loop with the connector link.
3. extend the safety chain along the length of the tow bar, looping it through the tow bar's connector link. Remove any excess chain slack.
4. Connect the free end of (connector link) the safety chain to the towing vehicle. Remember it is critical that the length of the chain be properly adjusted, to prevent the **draw bar** and the front of the mixer stand from dropping to the the ground (contact) in the event the draw bar becomes disconnected from the towing vehicle.

CAUTION

Drum Safety when Towing

DO NOT tow the mixer unless the mixing drum is **completely empty**. **ALWAYS** make sure the drum latch pin is fully engaged to the **right** (Figure 3) of the drum stop block. This will keep the drum from rotating.

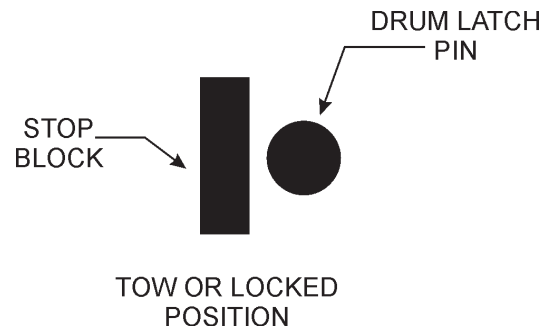


Figure 3. Drum Latch Pin (Tow or Locked Position)

WM-90 PLASTER/MORTAR MIXER — OPERATION AND SAFETY DECALS

Machine Safety Decals

The MQ Whiteman WM-90 mortar and plaster mixer is equipped with a number of safety decals. These decals are provided for operator safety and maintenance information. Figure 4 below illustrates these decals as they appear on the machine. Should any of these decals become unreadable, replacements can be obtained from your dealer.



P/N: DCL335



P/N: DCL280A



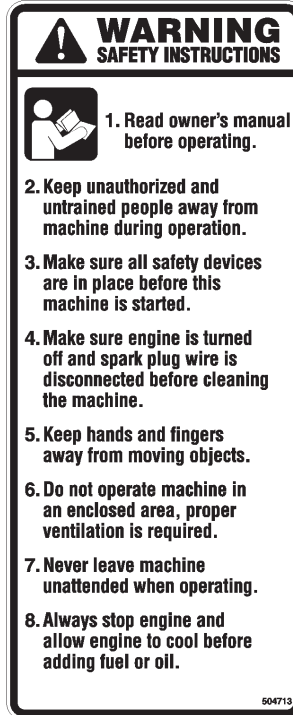
P/N DCL151



CONTACT MQ PARTS DEPARTMENT



P/N: 13118



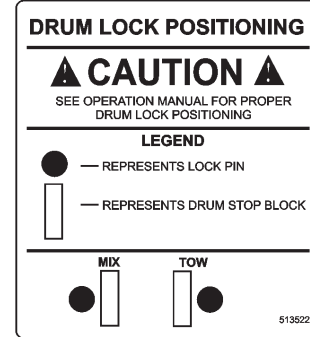
P/N: 504713



P/N: 35137



P/N: EM948630



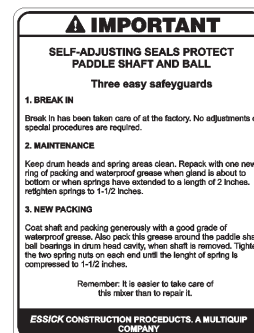
P/N 513522



P/N 513479



P/N: DCL160A



P/N 948121



P/N: 512527



P/N: 51064

Figure 4. Mixer Operation and Safety Decals

WM-90 PLASTER/MORTAR MIXER — GENERAL INFORMATION

Application

The MQ Whiteman WM-90 series mixers (drum capacity of 9.0 cu. ft./254.8 liters) are shipped completely assembled and have been factory tested and are ready for use.

This mixer is **only** intended for the production of **plaster** and **mortar**. The mixer must be used for its intended purpose and is not suitable for the mixing of **flammable** or **explosive** substances. The mixer **must not be used** in an explosive atmosphere. This mixer has a batch capacity between 2-1/2 and 3-1/2 bags.

Power Plants

The WM-90 can be powered by a Honda GX240K1HA2 air-cooled, 4-stroke gasoline engine or a 3 HP 115/230V electric motor. Refer to Table 2 for specific engine or electric motor data information.

Electrical

If mixer is equipped with an **electric motor**, make sure that the power being supplied to the motor corresponds to the voltage rating label on the motor. Supplying the wrong voltage to the electric motor will cause severe electrical damage to the motor.

Always make sure the **OFF/ON** switch on the electric motor is in the **OFF** position before applying power.

It is **strongly recommended** when inserting the mixer's power cord into a receptacle, that a G.F.C.I. (**Ground Fault Current Interrupter**) receptacle be used (115 VAC applications).

Extension Cables

The extension cable should be a 3-wire configuration that includes a ground wire that conforms to UL code. The wire cross section must be a minimum of 2.5 mm². Choose an extension cord of adequate current carrying capacity as referenced in Table 5. Remember **cable distance** affects the current-voltage capacity of the extension cable.

Ensure that the extension cable is carefully laid out avoiding **wet areas**, **sharp edges** and locations where vehicles might run over it. Avoid allowing the extension cable to be trapped underneath the mixer.

Unroll the extension cable fully or it will overheat and could catch fire. Make sure that all extension cable connections are dry and safe. Replace any defective or badly worn extension cable immediately.

Hardware

Check all hardware on the mixer before starting. Periodically inspect all hardware. Loose hardware can contribute to early component failure and poor performance. Use Table 3 as general guideline when torqueing of mixer hardware is required. Remember to keep all mixer hardware components tight.

Table 4. Hardware Torque Recommendations

| Hardware Diameter | Torque (ft-lbs) |
|----------------------------|-----------------|
| 5/16-inch x 18 | 14 |
| 3/8-inch x 16 | 24 |
| 3/8-inch x 24 | 37 |
| 1/2-inch x 13 | 39 |
| 1/2-inch x 13 (Grade 8) | 90 |

Engine Maintenance

For basic engine maintenance, refer to the engine maintenance section in this manual. For a more detailed engine maintenance, refer to the **Honda** Engine Owner's manual furnished with the engine.

WM-90 PLASTER/MORTAR MIXER — MAJOR COMPONENTS

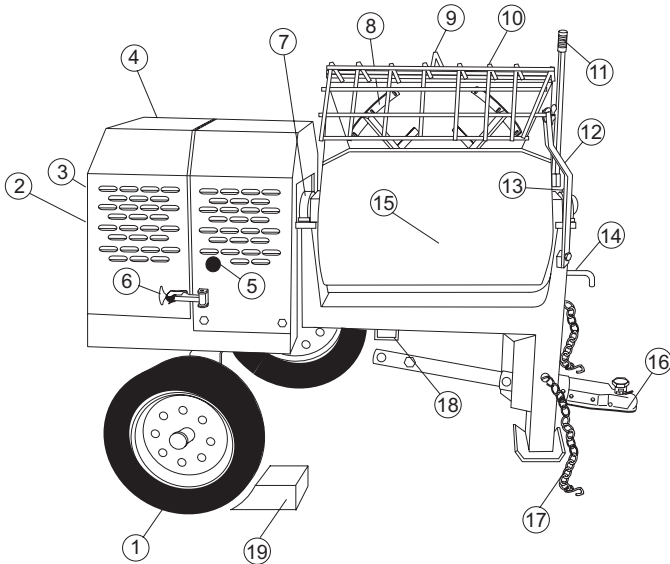


Figure 5. Mixer Components

Figure 5 illustrates the basic components and controls of the MQ Whiteman WM-90 mixer

1. **Tires Ply** -The tire ply (layers) number is rated in letters; This mixer uses 13-inch 4-ply tires.
2. **Engine Cover** -Lift this cover to gain access to the engine compartment.
3. **Belt Slip Lever** -When starting this lever should be move upward and to the left. For mixing place the lever in the down position. See attached decal located adjacent to lever.
4. **ON/OFF Switch (electric)** -This switch is provided on mixers with electric motors. To gain access to this switch, lift the engine cover. When activated it will shut down the electric motor.
5. **ON/OFF Switch (gasoline)** -This switch is provided on mixers with **gasoline** engines only and is located on the side of the engine cover. When activated it will shut down the engine.
6. **Latch** -Use this latch to secure the engine compartment cabinet.
7. **Drum Bearing** -There is on each end of the mixing drum, a sealed bearing. Bearings are packed and sealed at the factory and require no further maintenance.
8. **Mixing Paddles** -Used in the mixing of material. This unit uses four different types of paddles to provide a fast uniform mix.
9. **Bag Cutter**-This feature allows compound mixing bags to be opened easily, therefore allowing the contents of the bag to fall directly into the mixing drum.
10. **Safety Grill** -Provided for operator safety. This safety grill is designed to keep hands and solid objects out of the mixing drum when in use. This grill should be closed at all times when mixer is in use. **DO NOT** remove the grill or grill opening bar. Keep the grill clean by washing it down daily.
11. **Dump Handle** -Pull this handle downward to dump the contents of the drum. Push the handle upward to return the drum to its vertical position.
12. **Safety Grill Lock Handle** -To prevent injury to hands and arms, the safety grill should **ALWAYS** be locked when the mixing of plaster or mortar is required. Also when transporting the mixer the safety grill should be locked. The safety grill should only be un-locked when cleaning of the blades and drum is required.
13. **Pivot Point/Zerk Fitting** -There is, on each end of the mixing drum a zerk grease fitting. These fittings lubricate the dumping mechanism. Lubricate both fittings at least twice a week.
14. **Dump Handle Release Pin** -Pull this pin outward (spring loaded) to release the drum, then pull down on the dump handle to place the drum in the dump position. When drum is in dump position, pin will automatically lock drum.
15. **Mixing Drum** -Mixing materials such as mortar, plaster are to be placed into this drum for mixing. Always clean the drum after each use.
16. **Tow Bar/Coupler** -This mixer uses a 2-inch coupler or pintle towbar.
17. **Safety Chain** -This mixer uses a 3/16-inch thick, 72-inches long zinc-plated safety chain. **ALWAYS** connect the safety chain when towing.
18. **Forklift Pockets** - When lifting of the mixer is required, use these fork lift pockets to lift the mixer. Remember to insert the forks of the forklift a minimum of 24 inches into the lift pockets.
19. **Chock Blocks** - Place these blocks (not included as part of the mixer package) under each mixer wheel to prevent rolling.

WM-90 PLASTER/MORTAR MIXER — ENGINE COMPONENTS

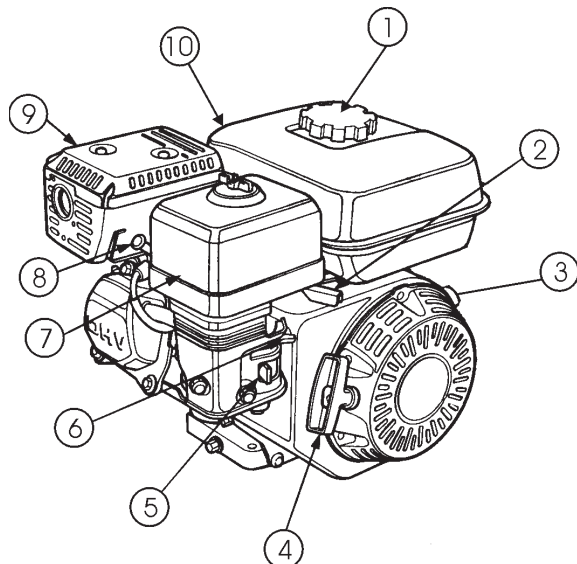


Figure 6. Engine Controls and Components

Initial Servicing

The engine (Figure 6) must be checked for proper lubrication and filled with fuel prior to operation. Refer to the manufacturer's engine manual for instructions & details of operation and servicing.

1. **Fuel Filler Cap** – Remove this cap to add unleaded gasoline to the fuel tank. Make sure cap is tightened securely. **DO NOT** over fill.

! DANGER

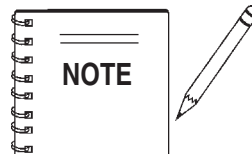
Explosive Fuel Hazard

Adding fuel to the tank should be done only when the engine is stopped and has had an opportunity to cool down. In the event of a fuel spill, **DO NOT** attempt to start the engine until the fuel residue has been completely wiped up, and the area surrounding the engine is dry.



2. **Throttle Lever** – Used to adjust engine RPM speed (lever advanced forward **SLOW**, lever back toward operator **FAST**).
3. **Engine ON/OFF Switch** – **ON** position permits engine starting, **OFF** position stops engine operations.
4. **Recoil Starter (pull rope)** – Manual-starting method. Pull the starter grip until resistance is felt, then pull briskly and smoothly.

5. **Fuel Valve Lever** – **OPEN** to let fuel flow, **CLOSE** to stop the flow of fuel.
6. **Choke Lever** – Used in the starting of a cold engine, or in cold weather conditions. The choke enriches the fuel mixture.
7. **Air Cleaner** – Prevents dirt and other debris from entering the fuel system. Remove wing-nut on top of air filter cannister to gain access to filter element.



Operating the engine without an air filter, with a damaged air filter, or a filter in need of replacement will allow dirt to enter the engine, causing rapid engine wear.

! WARNING

Burn Hazard

Engine components can generate extreme heat. To prevent burns, **DO NOT** touch these areas while the engine is running or immediately after operating. **NEVER** operate the engine with the muffler removed.



8. **Spark Plug** – Provides spark to the ignition system. Set spark plug gap to 0.6 - 0.7 mm (0.028 - 0.031 inch) Clean spark plug once a week.
9. **Muffler** – Used to reduce noise and emissions.
10. **Fuel Tank** – Holds unleaded gasoline. For additional information refer to engine owner's manual.

WM-90 PLASTER/MORTAR MIXER — ELECTRIC MOTOR

Electric Motor

For maintenance care and operation of the electric motor, refer to your electric motor instruction booklet furnished with the motor.

Protect the electric motor from dust as much as possible and keep ventilating openings clean.

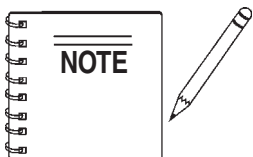
| | |
|--|------------------------------|
| ! CAUTION | Electric Motor Safety |
| <p>DO NOT spray water at any time on the electric motor.</p> <p>DO NOT operate electric motor in a explosive environment.</p> | |

The electric motor used in this mixer is a single-phase 3 HP motor. The input voltage requirement for this motor is 115/230 VAC, and has been pre-set to 230VAC.

Electric Motor Connection

A 12-inch electrical cable (Figure 7) is provided with the electrical motor for hookup to a power source. Table 5 shows the required NEMA connector for the desired motor horsepower rating. In addition, Table 5 also shows the matching NEMA approved connector for the required extension cord.

| | |
|--|-----------------------------------|
| ! CAUTION | Electric Motor Connections |
| <p>ALWAYS make certain that the power source required for the electric motor is correct and always use the correct NEMA configuration plug. Failure to supply the correct voltage to the motor can severely damage the motor.</p> | |



It is strongly recommended that all electrical wiring be done by a **licensed electrician**.

Special attention should be given to the electric switch as well as the over-and-under voltage protection devices as per regulations set forth in the local electrical safety code handbook

ALWAYS, make certain that the power source required for the electric motor is **correct** and always use the correct NEMA configuration plug. **Failure** to supply the correct voltage to the motor can severely damage the motor.

The motor supplied is wired for 230 VAC grounded operation. Make certain that the correct size grounded (3-wires) extension cord is used. See Table 6.

Motors can burn out when the line voltage falls 10% below the voltage rating of the motor. Failure to use proper voltage will cause the motor to overheat and actuate the overload switch.

| TABLE 5. ELECTRIC MOTOR WIRING INFORMATION | | |
|--|----------------------------|----------------------------------|
| Motor Horsepower Rating | 115-230 VAC - Single Phase | |
| | NEMA Plug Connector | Mating NEMA Receptacle Connector |
| 3 HP (115 VAC) | L5-20P P/N EM940537 | L5-20R P/N EM940538 |
| 3 HP (230 VAC) | L6-20P P/N 940539 | L6-20R P/N 940540 |

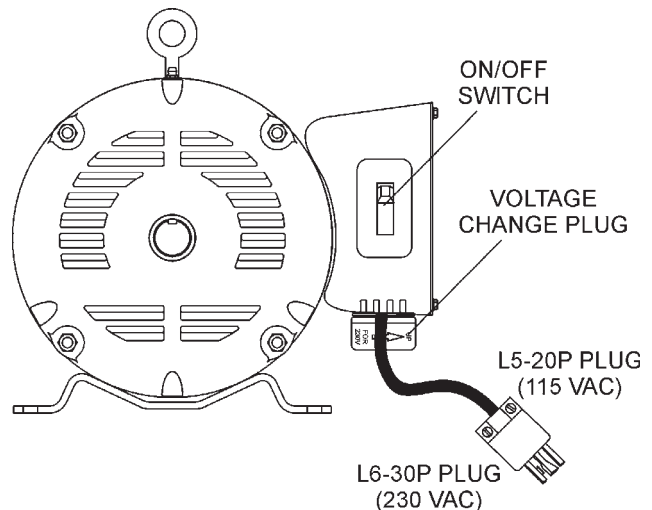


Figure 7. Single Phase Electric Motor With 18 inch Pigtail Cable

WM-90 PLASTER/MORTAR MIXER — ELECTRIC MOTOR

If overload protection should actuate because of improper voltage or any other malfunction, turn the main switch on the motor to the **OFF** position and correct the problem, press the reset switch button, and turn the main switch to the **ON** position.



CAUTION

Changing Voltages

When changing the voltage your electric motor operates at, have a qualified electrician install the appropriate receptacle plug for the new voltage. Failure to do so can damage the motor.

TABLE 6. RECOMMENDED EXTENSION CORD SIZES

| Model | Motor | Voltage | 50 ft. (15.24 m) | 75 ft. (22.86 m) | 100 ft. (30.48 m) | 200 ft. (60.96 m) |
|---------------------|-------|---------|---------------------|---------------------|----------------------|----------------------|
| EM-90 (Electric) | 3 HP | 115 | No. 12 | No. 10 | No. 8 | No. 6 |
| | | 230 | No. 14 | No. 12 | No. 12 | No. 8 |

Electric Motor Voltage Change Plug

The electric motor utilizes a Voltage Change Plug to switch between 115V and 230V. The motor is set to 230V by default. To change voltages:

1. **ALWAYS** make sure the electric motor's **ON/OFF switch** is in the **OFF** position and the power cord has been disconnected from the power source.
2. Remove the screws securing the plug to the motor casing and pull down to remove the plug.
3. Turn the plug so that the side of the plug that says "Up for 115V" and the arrow points away from the motor (Figure 8).
4. Insert the plug back into the motor casing and tighten the screws to secure it to the motor.

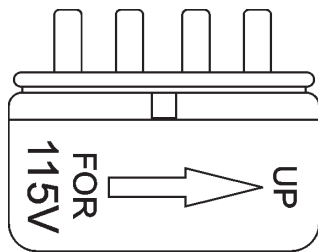


Figure 8. Voltage Change Plug

WM-90 MIXER — PADDLE BLADE ADJUSTMENT (STEEL DRUM)

Adjust paddles as shown in Figure 9a.

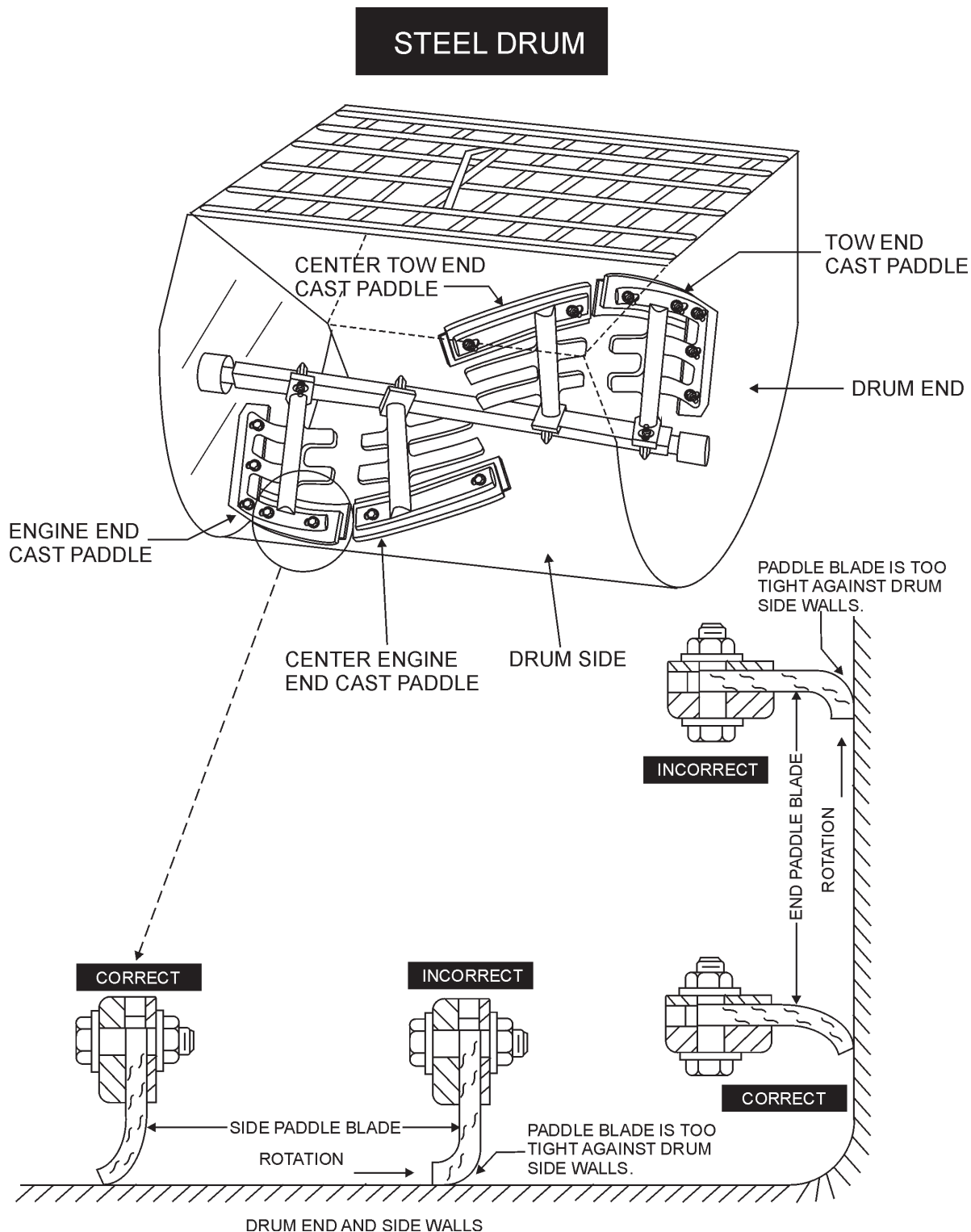


Figure 9a. Paddle Blade Adjustment (Steel Drum)

WM-90 MIXER — PADDLE BLADE ADJUSTMENT (POLY DRUM)

Adjust paddles as shown in Figure 9b.

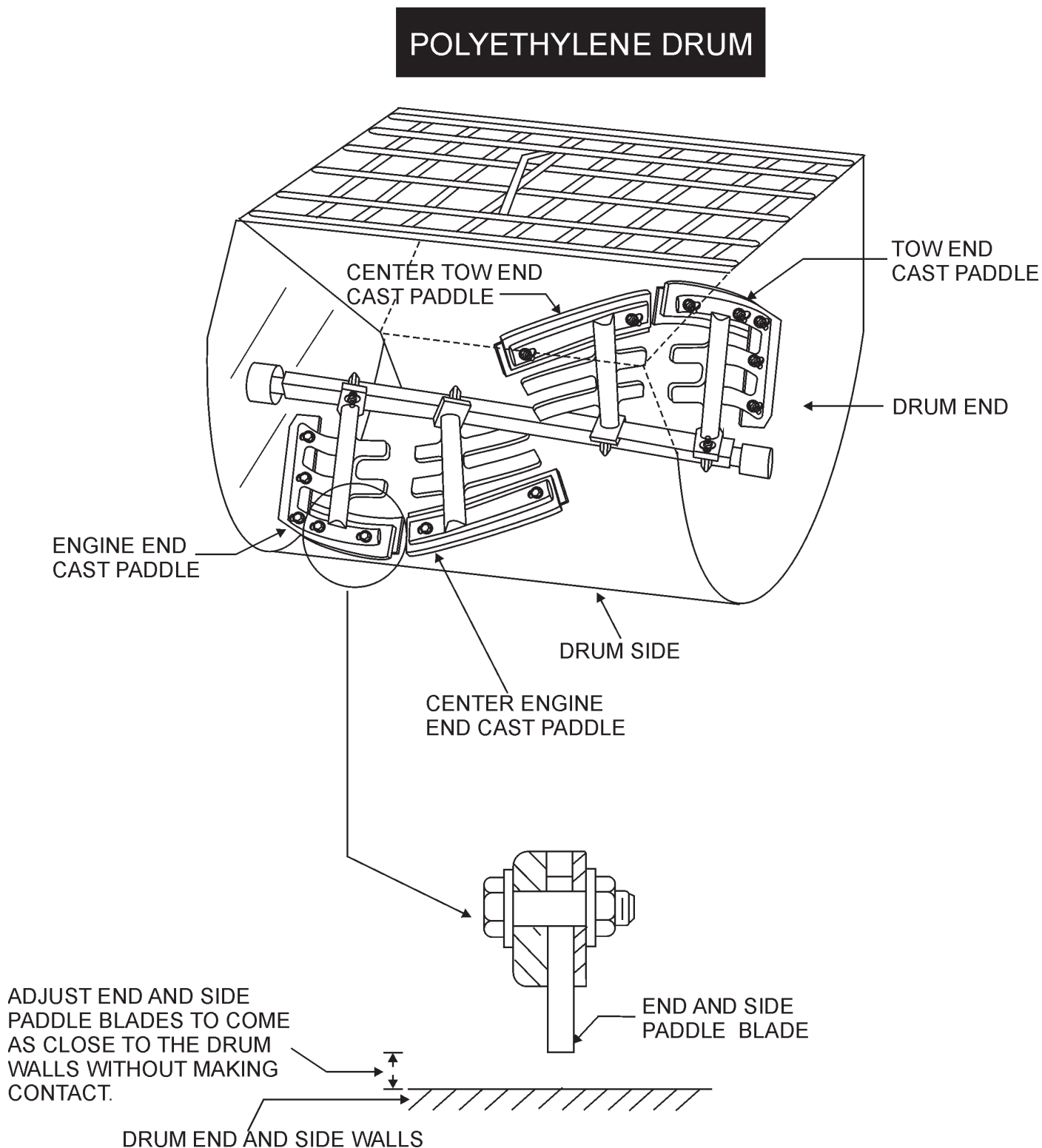


Figure 9b. Paddle Blade Adjustment (Poly Drum)

WM-90 PLASTER/MORTAR MIXER — INSPECTION

Before Starting

1. Read **all safety instructions** at the beginning of manual.
2. Clean the **mixer**, removing dirt and dust, particularly the engine cooling air inlet, carburetor and air cleaner.
3. Check the air filter for dirt and dust. If air filter is dirty, replace air filter with a new one as required.
4. Check carburetor for external dirt and dust. Clean with dry compressed air.
5. Check fastening nuts and bolts for tightness.

3. Insert and remove the dipstick without screwing it into the filler neck. Check the oil level shown on the dipstick.
4. If the oil level is low (Figure 11), fill to the edge of the oil filler hole with the recommended oil type (Table 7). Maximum oil capacity is 2.33 pints (1.09 liters)

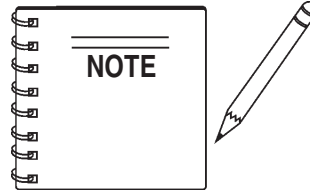


CAUTION

Eyesight and Hearing Protection

ALWAYS wear approved eye and hearing protection before operating the mixer.





Reference manufacturer engine manual for specific servicing instructions.

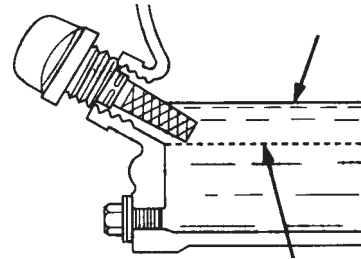




Figure 11. Engine Oil Dipstick (Oil Level)



CAUTION

Inspection & Maintenance Safety

NEVER place hands or feet inside the engine guard cover while the engine is running. **ALWAYS** shut the engine down before performing any kind of maintenance service on the mixer.



| TABLE 7. OIL TYPE | | |
|-------------------|----------------|---------------|
| Season | Temperature | Oil Type |
| Summer | 25°C or Higher | SAE 10W-30 |
| Spring/Fall | 25°C~10°C | SAE 10W-30/20 |
| Winter | 0°C or Lower | SAE 10W-10 |

Engine Oil Check

1. To check the engine oil level, place the mixer on secure level ground with the engine stopped.
2. Remove the filler dipstick from the engine oil filler hole (Figure 10) and wipe it clean.

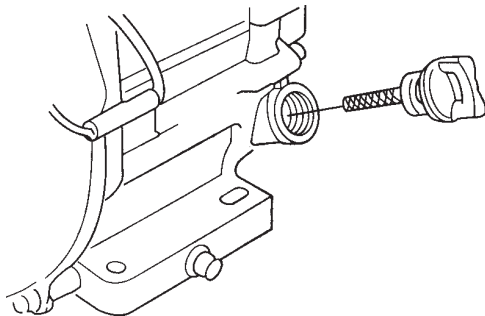


Figure 10. Engine Oil Dipstick (Removal)

WM-90 PLASTER/MORTAR MIXER — INSPECTION

Fuel Check



Explosive Fuel Hazard

If your mixer has a gasoline engine, determine if the engine fuel is low. If fuel is low, remove the fuel filler cap and fill with **unleaded** gasoline. Motor fuels are highly flammable and can be dangerous if mishandled. **DO NOT** smoke while refueling. **DO NOT** attempt to refuel the mixer if the engine is **hot!** or **running**.



1. Remove the gasoline cap located on top of fuel tank.
2. Visually inspect to see if fuel level is low. If fuel is low, replenish with unleaded fuel.
3. When refueling, be sure to use a strainer for filtration. **DO NOT** top-off fuel. Wipe up any spilled fuel.

V-belt Check

A worn or damaged V-belt can adversely affect the performance of the mixer. If a V-belt is defective or worn simply replace the V-belt as outlined in the maintenance section of this manual.

Blade Check

Check for worn or paddle blades. Make sure that all blades are adjusted properly. See blade adjustment procedure in this manual. Replace all defective or damaged blades immediately.

Controls

Start/Stop Switches

This mixer has been equipped with a start/stop switch for both the gasoline and electric motor mixers. These switches should be tested every time the engine or electric motor is started.

Grease Fittings (Dumping Mechanism)

Check the zerk grease fittings at each end of the mixing drum. These grease fittings lubricate the dumping mechanism. If the dumping handle is stiff or hard to move lubricate these fittings.

WM-90 PLASTER/MORTAR MIXER — START-UP PROCEDURE

This section is intended to assist the operator with the initial start-up of the WM-90 mixer (with gasoline engine or electric motor). It is extremely important that this section be read carefully before attempting to use the mixer in the field.



DO NOT use your mixer until this section is thoroughly understood.

! WARNING

Explosive Fuel Hazard

Failure to understand the operation of the WM-90 series mixers could result in **severe damage** to the mixer or **personal injury**.

See Figure 5 for the location of any control referenced in this manual.

! CAUTION

Respiratory Hazard



NEVER operate the mixer in a confined area or enclosed area structure that does not provide ample **free flow of air**.

Start-up Procedure(Gasonline Engine)

The following steps outline the procedure for starting the engine. Depending on the type of engine employed in the mixer the steps may vary slightly. If your mixer has an electric motor disregard this section.

1. Move the fuel shut-off lever (Figure 12) to the **ON** position.

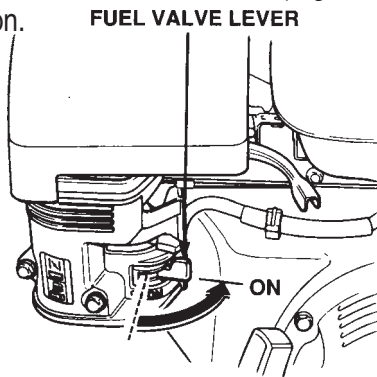


Figure 12. Fuel Shut-OFF Lever

2. To start a cold engine, move the choke lever (Figure 13) to the **CLOSED** position.

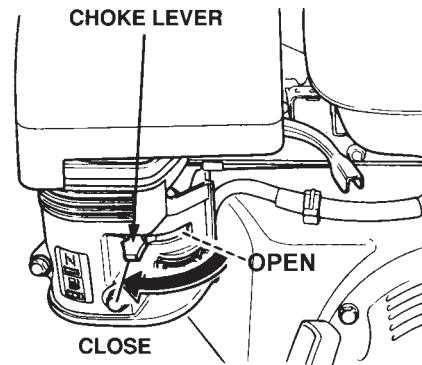


Figure 13. Choke Lever

3. Move the throttle lever (Figure 14) away from the slow position, about 1/3 of the way toward the fast position.

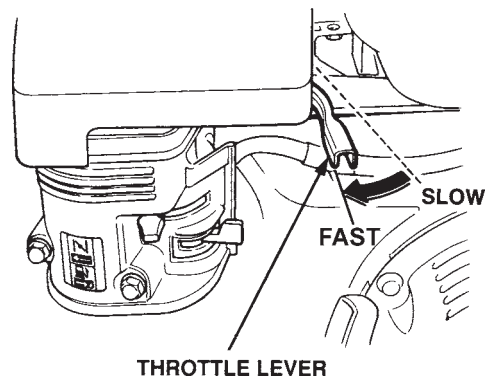


Figure 14. Throttle Lever

WM-90 PLASTER/MORTAR MIXER — START-UP PROCEDURE

- Turn the engine switch (Figure 15) to the **ON** position.

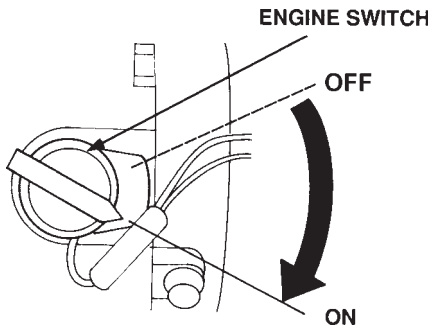


Figure 15. Engine ON/OFF Switch

- The main **start/stop** switch located on the engine cover is (Figure 16) is used to start and stop the engine. Pull this switch outward to start the engine.

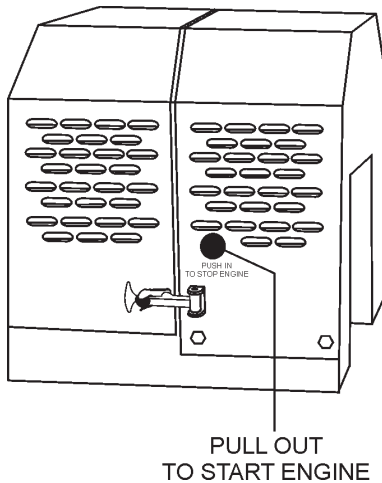


Figure 16. Start/Stop Switch (gasoline engine)

- Place the **belt slip lever** (Figure 17) in the **START/STOP** (disengaged) position.

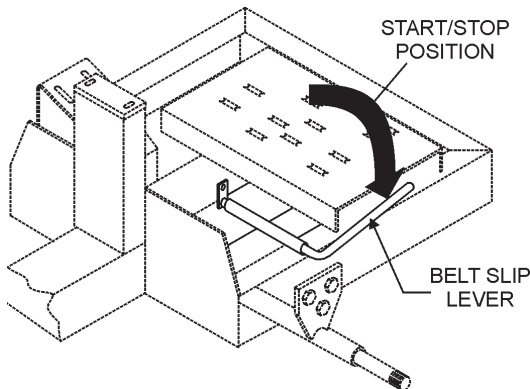


Figure 17. Belt Slip Lever (Start/Stop Position)

CAUTION Preventing Drum Tipping

Make certain the **drum lock pin** (Figures 18 and 19) is placed to the **RIGHT** (when viewing the mixer from the towpole end) of the drum stop block which is welded to the front side of the drum. Also make sure lock pin is fully engaged (locked). This will prevent the drum from tipping.

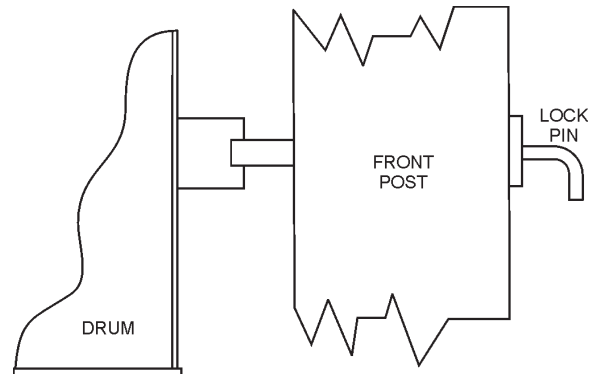


Figure 18. Drum Lock Pin (Side-View)

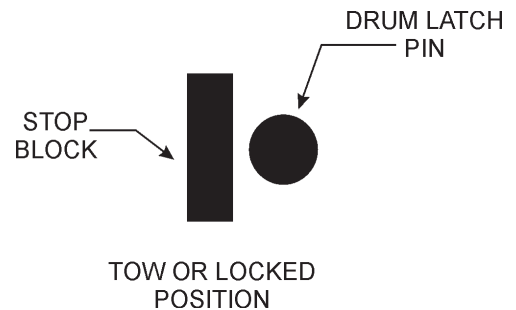


Figure 19. Drum Lock Pin (Right Position)

- Pull the **starter grip** (Figure 20) lightly until you feel resistance, then pull briskly. Return the starter grip gently.

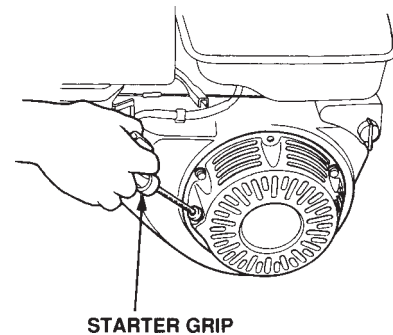


Figure 20. Starter Grip

WM-90 PLASTER/MORTAR MIXER — START-UP/SHUT-DOWN PROCEDURES

- Place the belt slip lever (Figure 21) in the **mix** position. This will tilt the engine placing tension on the V-belts enabling the shaft to rotate.

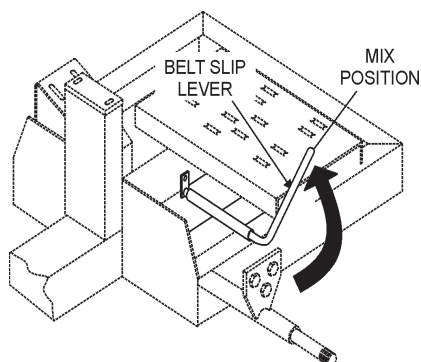


Figure 21. Belt Slip Lever (Mix Position)

Start-up Procedure(Electric Motor)

- Using an adequate size extension cord (see Table 6), connect one end of the extension cord to the plug on the electric motor, connect the other end to the power source. Make sure the motor is configured for the proper operating voltage.
- Set the electric motor's **ON/OFF** switch (Figure 7) to the **ON** position.

Mixing Dumping

- The paddle shaft inside the drum should be rotating at this time.
- Add a small amount water to the mixing drum.
- Lift the mixing bag compound onto the steel safety grate over the bag cutter and let the contents fall into the drum. Add more water if desired and mix compound to desired consistency.

- When charging, mixing, or dumping a batch of plaster or mortar the **drum lock pin** should be placed to the **left** (when viewing the mixer from the towpole end) of the drum stop block which is welded to the front side of the drum. See Figure 22.

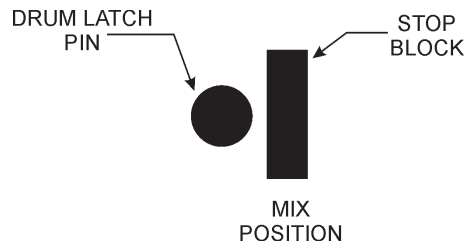


Figure 22. Drum Lock Pin (Left Position)

This will allow the operator to use both hands on the drum handle during dumping. Please note that when the lock pin is placed to the left, the drum will be maintained in the vertical position as the paddles rotate. To discharge the material the operator should hold the dump handle with **both hands** and rotate the drum to discharge the desired amount of material.



WARNING

Dump Handle Safety

Be sure to stand clear of the **dump handle** (Figure 23) when the mixer is operational. Any binding of material between the mixer blades and the drum will cause the drum handle to quickly move and could cause bodily harm.

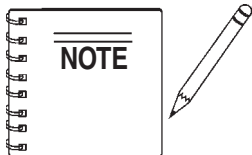


Figure 23. Stand Clear of Dump Handle

WM-90 PLASTER/MORTAR MIXER — OPERATION

Stopping the Mixer (Gasoline Engine)

1. Place the **belt slip lever** in the **start/stop** position (Figure 21).
2. Push the main **start/stop** switch (Figure 16) inward to stop the engine.
3. Turn the fuel shut-off valve to the **OFF** position.
4. Disconnect the spark plug.
5. Clean mixer as referenced in the maintenance section of this manual.



It is recommended that the mixer's **Start/Stop switch** be used to stop the engine after every use.

Doing this will verify that the switch is working properly and presents no danger to the operator.

Stopping the Mixer (Electric Motor)

1. Place the electric motor's **ON/OFF** switch (Figure 7) in the **OFF** position.
2. Disconnect the electric motor's extension cord from its power source.
3. Clean mixer as referenced in the maintenance section of this manual.



DANGER

**DO NOT Disconnect
the Start/Stop Switch**

NEVER disable or disconnect the start/stop switch. It is provided for operator safety. **Serious Injury** may result if it is disabled, disconnected or improperly maintained.

WM-90 PLASTER/MORTAR MIXER — MAINTENANCE (ENGINE)

Use Table 8 as a general maintenance guideline when servicing your engine. For more detail engine maintenance information, refer to the engine owner's manual supplied with your engine.

TABLE 8. ENGINE MAINTENANCE SCHEDULE

| DESCRIPTION (3) | OPERATION | BEFORE | FIRST MONTH OR 10 HRS. | EVERY 3 MONTHS OR 25 HRS. | EVERY 6 MONTHS OR 50 HRS. | EVERY YEAR OR 100 HRS. | EVERY 2 YEARS OR 200 HRS. |
|------------------|-------------------------|--|------------------------|---------------------------|---------------------------|------------------------|---------------------------|
| Engine Oil | CHECK | X | | | | | |
| | CHANGE | | X | | | | |
| Air Cleaner | CHECK | X | | | | | |
| | CHANGE | | | X (1) | | | |
| All Nuts & Bolts | Re-tighten If Necessary | X | | | | | |
| Spark Plug | CHECK-CLEAN | | | | X | | |
| | REPLACE | | | | | | X |
| Cooling Fins | CHECK | | | | X | | |
| Spark Arrester | CLEAN | | | | | X | |
| Fuel Tank | CLEAN | | | | | X | |
| Fuel Filter | CHECK | | | | | X | |
| Idle Speed | CHECK-ADJUST | | | | | X (2) | |
| Valve Clearance | CHECK-ADJUST | | | | | | X (2) |
| Fuel lines | CHECK | Every 2 years (replace if necessary) (2) | | | | | |

(1) Service more frequently when used in **DUSTY** areas.

(2) These items should be serviced by your service dealer, unless you have the proper tools and are mechanically proficient. Refer to the HONDA Shop Manual for service procedures.

(3) For commercial use, log hours of operation to determine proper maintenance intervals.

WM-90 PLASTER/MORTAR MIXER — MAINTENANCE (ENGINE)

Maintenance

Perform the scheduled maintenance procedures as defined by Table 8 and below:

DAILY

- Thoroughly remove dirt and oil from the engine and control area. Clean or replace the air cleaner elements as necessary. Check and retighten all fasteners as necessary. Check the gearbox for oil leaks. Repair or replace as needed.

WEEKLY

- Remove the fuel filter cap and clean the inside of the fuel tank.
- Remove or clean the filter at the bottom of the tank.
- Remove and clean the spark plug (Figure 24), then adjust the spark gap to 0.024 ~0.028 inch (0.6~0.7 mm). This unit has electronic ignition, which requires no adjustments.

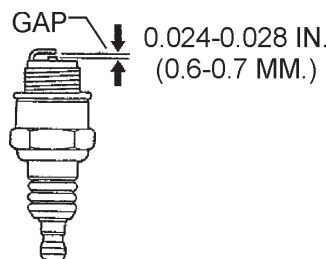


Figure 24. Spark Plug Gap

ENGINE OIL

1. Drain the engine oil when the oil is **warm** as shown in Figure 25.
2. Remove the oil drain bolt and sealing washer and allow the oil to drain into a suitable container.
3. Replace engine oil with recommended type oil as listed in Table 6. For engine oil capacity, see Table 2 (engine specifications). **DO NOT** overfill.
4. Install drain bolt with sealing washer and tighten securely.

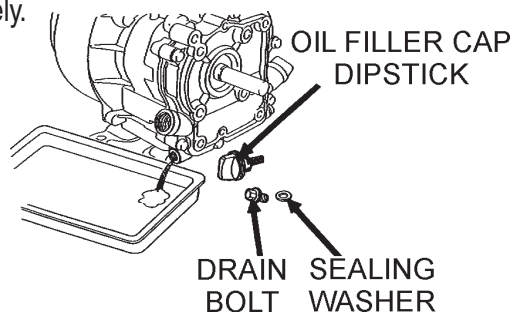


Figure 25. Engine Oil (Draining)

ENGINE AIR CLEANER

1. Remove the air cleaner cover and foam filter element as shown in Figure 26.
2. Tap the paper filter element (Figure 26) several times on a hard surface to remove dirt, or blow compressed air [not exceeding 30 psi (207 kPa, 2.1 kgf/cm²)] through the filter element from the air cleaner case side. **NEVER** brush off dirt. Brushing will force dirt into the fibers. Replace the paper filter element if it is excessively dirty.
3. Clean foam element in warm, soapy water or nonflammable solvent. Rinse and dry thoroughly. Dip the element in clean engine oil and completely squeeze out the excess oil from the element before installing.



DANGER

Explosive Hazard

DO NOT use gasoline as a cleaning solvent to avoid creating the risk of fire or an explosion.

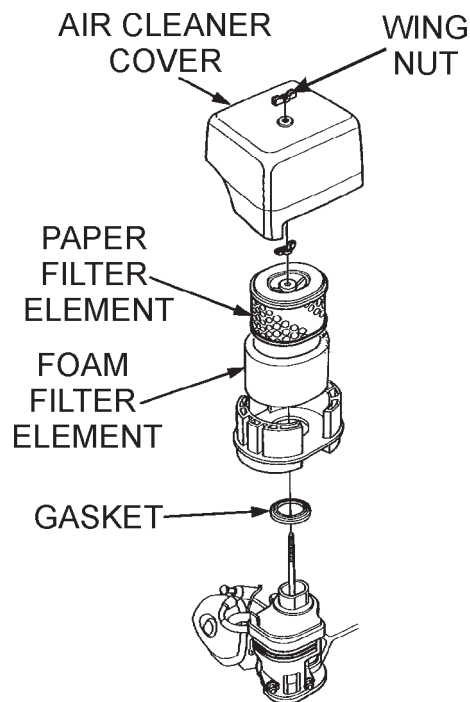


Figure 26. Engine Air Cleaner

WM-90 PLASTER/MORTAR MIXER — MAINTENANCE (MIXER)

Drum Head Seals

There is 1 set of drum head seals (Figure 27) that will require lubrication. Lubricate the grease fitting for each drum seal **every 40 hours of operation** using any grade lithium base grease. Apply grease until visible inside of mixing drum (over grease). This will purge seal system of contamination.

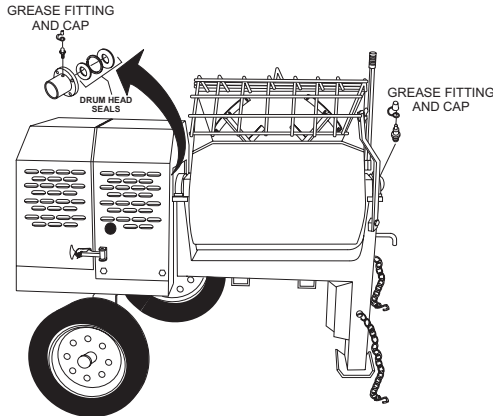


Figure 27. Grease Fittings (Drum Head Seals)

Drum Bearing Bracket Lubrication

There is 1 set of drum bearing brackets (Figure 28) that will require lubrication. These brackets are intended to make the drum rotate freely. Lubricate the grease fitting for each drum bearing bracket **every month or when the drum becomes difficult to position** using multi-purpose grade grease.

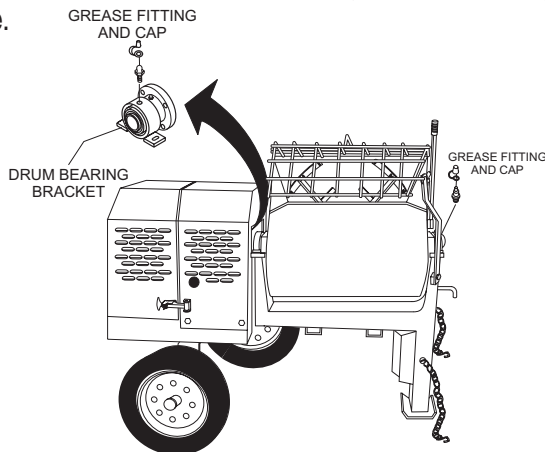


Figure 28. Grease Fittings (Dumping Mechanism)

CAUTION

Lubricating the Grease Fittings

Failure to lubricate the drum bearing grease fittings periodically will cause the dumping mechanism to stiffen, making the mixing drum hard to dump.

Ball Socket and Clamp Face Maintenance

1. If the towing vehicle is equipped with a ball socket, smear socket periodically with multi-purpose grease. This will keep the ball socket well lubricated.
2. Periodically oil **pivot points** and **clamp face** surfaces of coupler with SAE 30 WT. motor oil.
3. When parking or storing your mixer. Keep the coupler off the ground so dirt will not build up in the ball socket.

Countershaft Bearing Lubrication

There is 1 set of countershaft bearings (Figure 29) that will require lubrication. Lubricate the grease fitting for each countershaft bearing **every 40 hours of operation** using any grade lithium base grease.

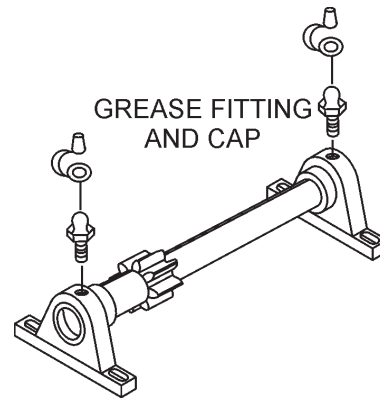


Figure 29. Grease Fittings (Countershaft)

Wheel Bearings

1. After every 3 months of operation, remove the hub dust cap and inspect the wheel bearings (Figure 30). Once a year, or when required, disassemble the wheel hubs remove the old grease and repack the bearings forcing grease between rollers, cone and cage with a good grade of high speed wheel bearing grease (**never** use grease heavier than 265 A.S.T.M. penetration ("No. 2."))

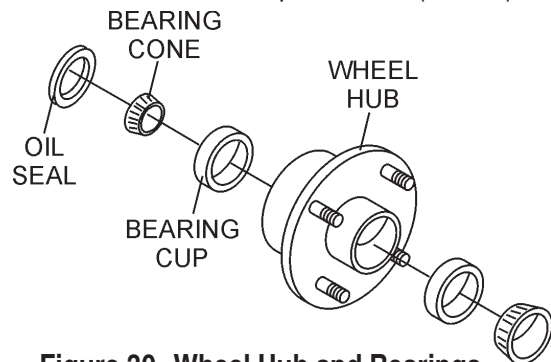


Figure 30. Wheel Hub and Bearings

WM-90 PLASTER/MORTAR MIXER — MAINTENANCE (MIXER)

- Fill the wheel hub (Figure 30) with grease to the inside diameter of the outer races and also fill the hub grease cap. Reassemble the hub and mount the wheel. Then tighten the adjusting nut, at the same time turn the wheel in both directions, until there is a slight bind to be sure all the bearing surfaces are in contact.

Then back-off the adjusting nut 1/6 to 1/4 turn or to the nearest locking hole or sufficiently to allow the wheel to rotate freely within limits of .001" to .010" end play. Lock the nut at this position. Install the cotter pin and dust cap, and tighten all hardware.

Main Gear and Drive Pinion Alignment

- Disconnect the spark plug wire** (gasoline engines). If mixer is equipped with an electric motor **remove power cord from AC power receptacle**. In addition make sure the clutch engagement lever is **dis-engaged** to relieve V-belt tension.
- The countershaft and drive pinion are mounted on a slotted base. To align drive pinion with main gear, loosen the pillow block mounting bolts and move them until the necessary alignment has been made. Remember gears must be paralleled aligned not skewed.
- Using your hand, slightly move (rock) the drive pulley back and forth to determine the amount of backlash. Insert feeler gauge between gears to determine backlash distance. Backlash should range between 0.007- 0.012 inches (Figure 31).

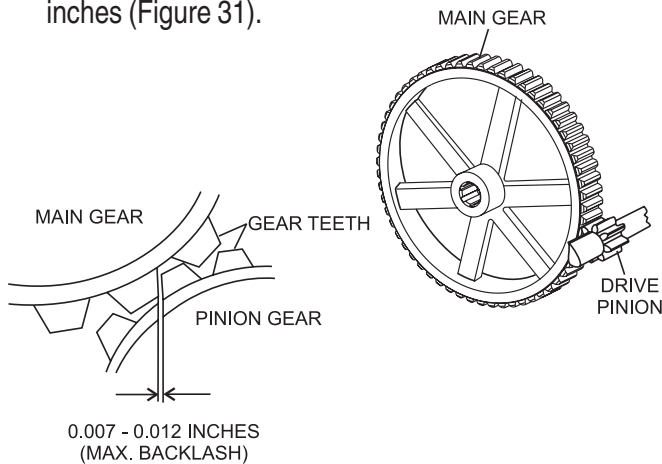


Figure 31. Drive Pinion and Main Gear (Backlash)

Inspect Tooth Contact between Main Gear and Drive Pinion

- Coat 3 or 4 teeth at 3 different positions on the main gear with yellow paint.
- Rotate the drive pulley in both directions.
- Inspect the tooth pattern.
- If gear teeth are not contacting properly (Figure 32), adjust pillow block to correct the problem.

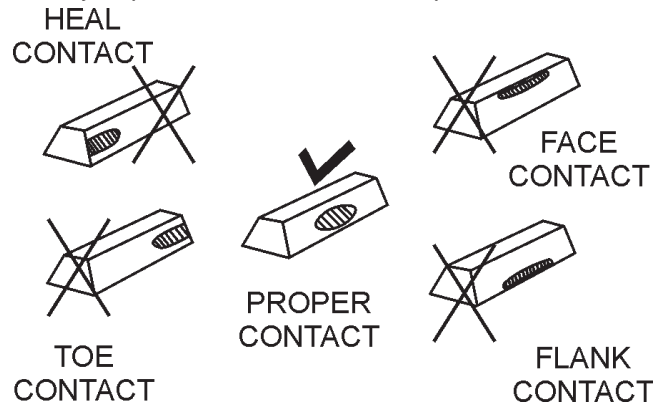


Figure 32. Gear Teeth Alignment

Gear Lubrication

The surface of the pinion and main gear (Figure 33) should be very lightly greased.

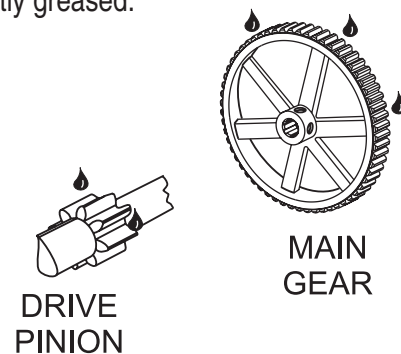
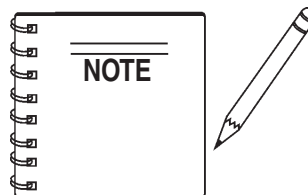


Figure 33. Pinion and Bull Gear Lubrication



Grease main and pinion gears every **250 hours of operation. IMPORTANT! Avoid over-greasing.**

Excess grease will accumulate contaminates and cause premature wear.

WM-90 PLASTER/MORTAR MIXER — MAINTENANCE (MIXER)

Grease Fittings (Zerk) Maintenance (Electric Motor)

1. There are two grease (Figure 34) fittings at each end of the electric motor that will require lubrication. Lubricate these fittings about **every 16 months**.
2. Use Poleyrex EM (Exxon Mobil) or equivalent lubricant. Clean grease fitting, apply grease gun to fitting (1/2 shot). Remember too much grease or injecting grease too quickly can cause premature bearing failure. Slowly apply the recommended amount of grease, taking a minute or so to apply.

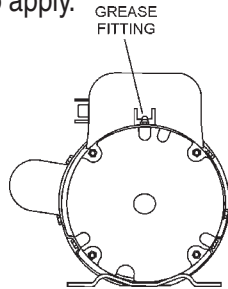


Figure 34. Grease Fittings Electric Motor

Tires/Wheels/Lug Nuts

Tires and wheels are a very important and critical components of the trailer. When specifying or replacing the trailer wheels it is important the wheels, tires, and axle are properly matched.

WARNING

Damaged Wheels

DO NOT attempt to repair or modify a wheel. **DO NOT** install an inter-tube to correct a leak through the rim. If the rim is cracked, the air pressure in the inter-tube may cause pieces of the rim to explode (break-off) with great force and can cause serious eye or bodily injury.

Tires Wear/Inflation

Tire inflation pressure is the most important factor in tire life. Pressure should be checked cold before operation. **DO NOT** bleed air from tires when they are hot. Check inflation pressure weekly during use to insure the maximum tire life and tread wear.

WARNING

Eyesight Hazard

ALWAYS wear safety glasses when removing or installing force fitted parts. Failure to comply may result in serious injury.

Table 9 (Tire Wear Troubleshooting) will help pinpoint the causes and solutions of tire wear problems.

| TABLE 9. TIRE WEAR TROUBLESHOOTING | | | |
|------------------------------------|-------------|---------------------------------|---|
| WEAR PATTERN | CAUSE | SOLUTION | |
| | Center Wear | Over Inflation | Adjust pressure to particular load per tire manufacturer. |
| | Edge Wear | Under Inflation | Adjust pressure to particular load per tire manufacturer. |
| | Side Wear | Loss of chamber or overloading. | Make sure load does not exceed axle rating. Align wheels. |
| | Toe Wear | Incorrect toe-in | Align wheels. |
| | Cupping | Out-of balance | Check bearing adjustment and balance tires. |
| | Flat Spots | Wheel lockup & tire skidding. | Avoid sudden stops when possible and adjust brakes. |

WM-90 PLASTER/MORTAR MIXER — MAINTENANCE (MIXER)

Lug Nut Torque Requirements

It is extremely important to apply and maintain proper wheel mounting torque. Be sure to use only the fasteners matched to the cone angle of the wheel. Proper procedure for attachment of the wheels is as follows:

1. Start all wheel lug nuts by hand.
2. Torque all lug nuts in sequence. See Figure 35. **DO NOT** torque the wheel lug nuts all the way down. Tighten each lug nut in 3 separate passes as defined by Table 10.

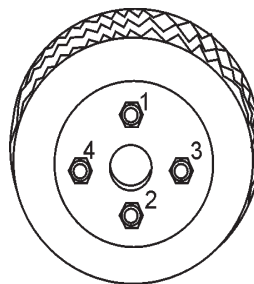
TABLE 10. TIRE TORQUE REQUIREMENTS

| Wheel Size | First Pass FT-LBS | Second Pass FT-LBS | Third Pass FT-LBS |
|------------|-------------------|--------------------|-------------------|
| 12" | 20-25 | 35-40 | 50-65 |
| 13" | 20-25 | 35-40 | 50-65 |
| 14" | 20-25 | 50-60 | 90-120 |
| 15" | 20-25 | 50-60 | 90-120 |
| 16" | 20-25 | 50-60 | 90-120 |

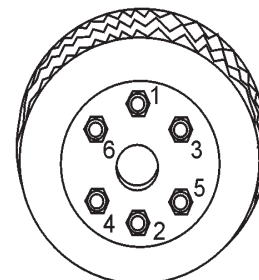


NEVER! use an pneumatic air gun to tighten wheel lug nuts.

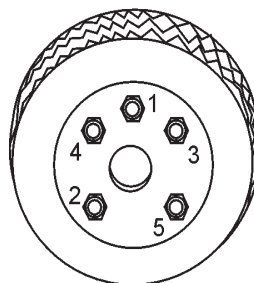
3. After first road use, retorque all lug nuts in sequence. Check all wheel lug nuts periodically.



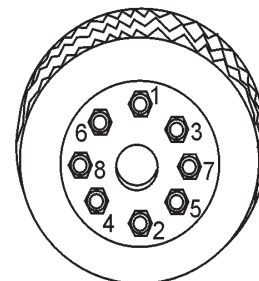
4-LUG NUTS



6-LUG NUTS



5-LUG NUTS



8-LUG NUTS

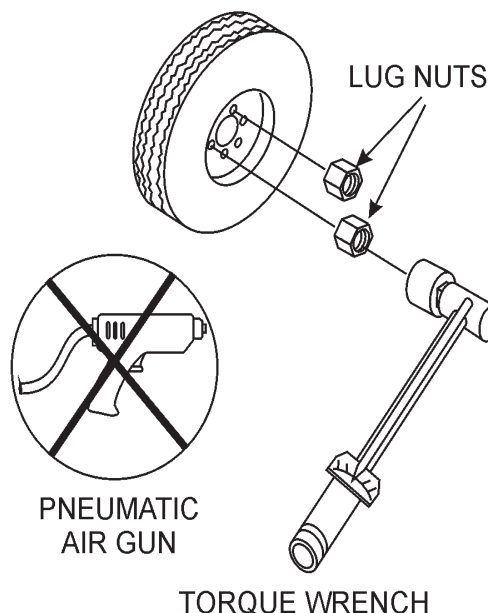


Figure 35. Wheel Lug Nuts Tightening Sequence

WM-90 PLASTER/MORTAR MIXER — MAINTENANCE (MIXER)

Suspension

The rigid type axle and associated hardware (Figure 36) should be periodically inspected for signs of excessive wear, elongation of bolt holes, and loosening of fasteners. Replace all damaged parts immediately.

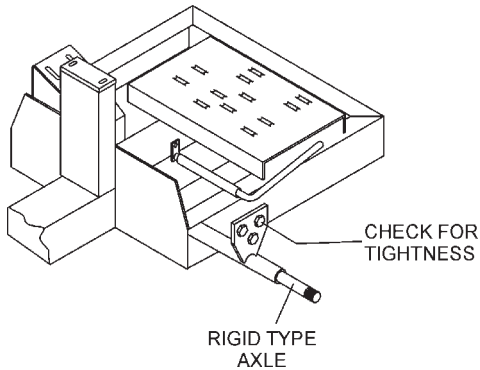


Figure 36. Axle Support Components

Mixer Cleaning

1. **ALWAYS disconnect the spark plug wire** (gasoline engines) before cleaning the inside of the drum. If mixer is equipped with an electric motor **remove power cord from AC power receptacle**. In addition make sure the clutch engagement lever is **dis-engaged**.
2. Make sure the rear section of the safety grate is connected to the mixing drum.
3. At the end of each day's operation, place mixer drum in an upright position and spray inside of tub immediately with water to prevent lumps of dried mortar or plaster from forming and contamination of future batches, **DO NOT** allow a buildup of materials to form on the blades or anywhere inside the drum.
4. Rotate mixer to dump position and remove debris.
5. **Thoroughly clean** the entire mixer, wheels, cabinet and frame.
6. **NEVER!** pour or spray water over the engine or electric motor (Figure 37).

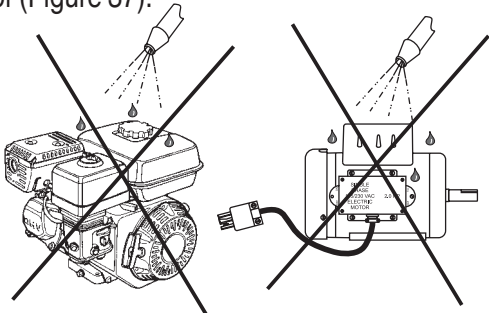


Figure 37. No Spraying of Water

WARNING

Keep Hands
Clear of Drum!

When rotating the mixing drum from the dump position to the upright position, **keep hands clear of safety grate**. The possibility exists of hands or fingers being crushed (Figure 38).



Figure 38. Safety Grate (Crush Hazard)

7. When cleaning of the entire mixer is done, return mixing drum to an upright position.

Mixer Storage

For storage of the mixer for over 30 days, the following is recommended:

- Drain the fuel tank completely, or add STA-BIL to the fuel.
- Run the engine until the fuel is completely consumed.
- Completely drain used oil from the engine crankcase and fill with fresh clean oil, then follow the procedures described in the engine manual for engine storage.
- Clean the entire mixer and engine compartment.
- Place the mixing drum in the down position (mouth facing downward).
- Cover the mixer and place it a clean dry area, that is protected from harsh elements.

WM-90 PLASTER/MORTAR MIXER — TROUBLESHOOTING (ENGINE)

Practically all breakdowns can be prevented by proper handling and maintenance inspections, but in the event of a breakdown, please take a remedial action following the diagnosis based on the **Engine**, **Mixer** and **Electric Motor** Troubleshooting (Tables 11,12, and 13) information shown below and on the proceeding pages. If the problem cannot be remedied, please leave the unit just as it is and consult or company's service department.

TABLE 11. ENGINE TROUBLESHOOTING

| SYMPTOM | POSSIBLE PROBLEM | SOLUTION |
|--|---|---|
| Poor starting | Inspect carburetor to see if fuel is reaching it? | Check fuel line |
| | No Fuel? | Add Fuel |
| | Water in fuel tank? | Flush or replace fuel tank. |
| | Fuel filter clogged? | Replace fuel filter |
| | Stuck carburetor? | Check float mechanism. |
| | Spark plug is red? | Spark plug is fouled. Check transistor ignition unit. |
| | Spark plug is blue-white? | Insufficient compression, injected air leaking. Carburetor jets are clogged (overflow). |
| | No spark present at tip of spark plug? | Transistor ignition unit broken, high voltage cord cracked or broken. Start/Stop switch broken. Replace spark plug if fouled. |
| | No oil? | Add oil as required. |
| Insufficient power output "no compression" | Oil pressure alarm lamp blinks upon starting? | Check Automatic shutdown circuit "oil sensor". |
| | Engine will not turn over? | Replace cylinder and piston and if necessary axel joint. |
| | Cylinder head connecting bolts loose? | Tighten cylinder head connecting bolts. |
| | Cylinder head gasket damaged? | Replace cylinder head gasket. |
| | Malfunction of valve seat? | Re-seat valves. |
| | Spark plug is loose? | Replace spark plug. |
| Insufficient power output "compression" | Worn piston rings? | Replace piston rings. |
| | Malfunction in air-cleaner system, air filter clogged? | Clean or replace air filter. |
| | Air leaking in from interface between carburetor and cylinder head? | Tighten bolts between carburetor and cylinder head. Replace cylinder head gasket. |
| | Malfunction in fuel system? | Clean or replace fuel filter. Clean or replace carburetor. Check carburetor float. |

WM-90 PLASTER/MORTAR MIXER — TROUBLESHOOTING (ENGINE)

TABLE 11. ENGINE TROUBLESHOOTING (CONTINUED)

| SYMPTOM | POSSIBLE PROBLEM | SOLUTION |
|--|---|---|
| Insufficient power output "compression" and overheats | Malfunction in cooling fan? | Check or replace cooling fan. |
| | Air in-take filter clogged? | Clean or replace air in-take filter. |
| Burns to much fuel | Over accumulation of exhaust products? | Clean and check valves. Check muffler, replace if necessary. |
| | Wrong spark plug? | Replace spark plug with manufactures suggested type spark plug. |
| Exhaust color is continously "WHITE" | Lubricating oil is wrong viscosity? | Replace lubricating oil with correct viscosity. |
| | Worn rings? | Replace rings |
| Exhaust color is continously "BLACK" | Air cleaner clogged? | Clean or replace air cleaner. |
| | Choke valve has not been set to the correct position? | Adjust choke valve to the correct position. |
| | Carburetor defective, seal on carburetor broken? | Replace carburetor or seal. |
| | Poor carburetor adjustment "engine runs too rich?" | Adjust carburetor. |

WM-90 PLASTER/MORTAR MIXER — TROUBLESHOOTING (MIXER/ELECTRIC MOTOR)

TABLE 12. MIXER TROUBLESHOOTING

| SYMPTOM | POSSIBLE PROBLEM | SOLUTION |
|------------------------------------|--|---|
| Blades will not rotate. | Worn or defective V-belt? | Replace V-belt. |
| | Adjustment lever mis-aligned? | Check position of adjustment lever. Adjust if necessary. |
| Material leaking from drum ends. | Worn or defective paddle shaft seals? | Replace seals. |
| Drum difficult to discharge (tilt) | Defective or worn drum support brackets? | Apply grease to bracket or replace. |
| | Blades adjusted too tight. | Adjust blades until they almost touch side walls of drum. |

TABLE 13. ELECTRIC MOTOR TROUBLESHOOTING

| SYMPTOM | POSSIBLE PROBLEM | SOLUTION |
|-------------------------|--------------------------------|--------------------------------------|
| Blades will not rotate. | No voltage to motor? | Check power source. |
| | Defective extension cord? | Replace extension cord. |
| | Defective motor ON/OFF switch? | Replace switch. |
| | Defective motor windings? | Repair windings or replace windings. |

WM-90 PLASTER/MORTAR MIXER — WIRING DIAGRAM (ELECTRIC MOTOR)

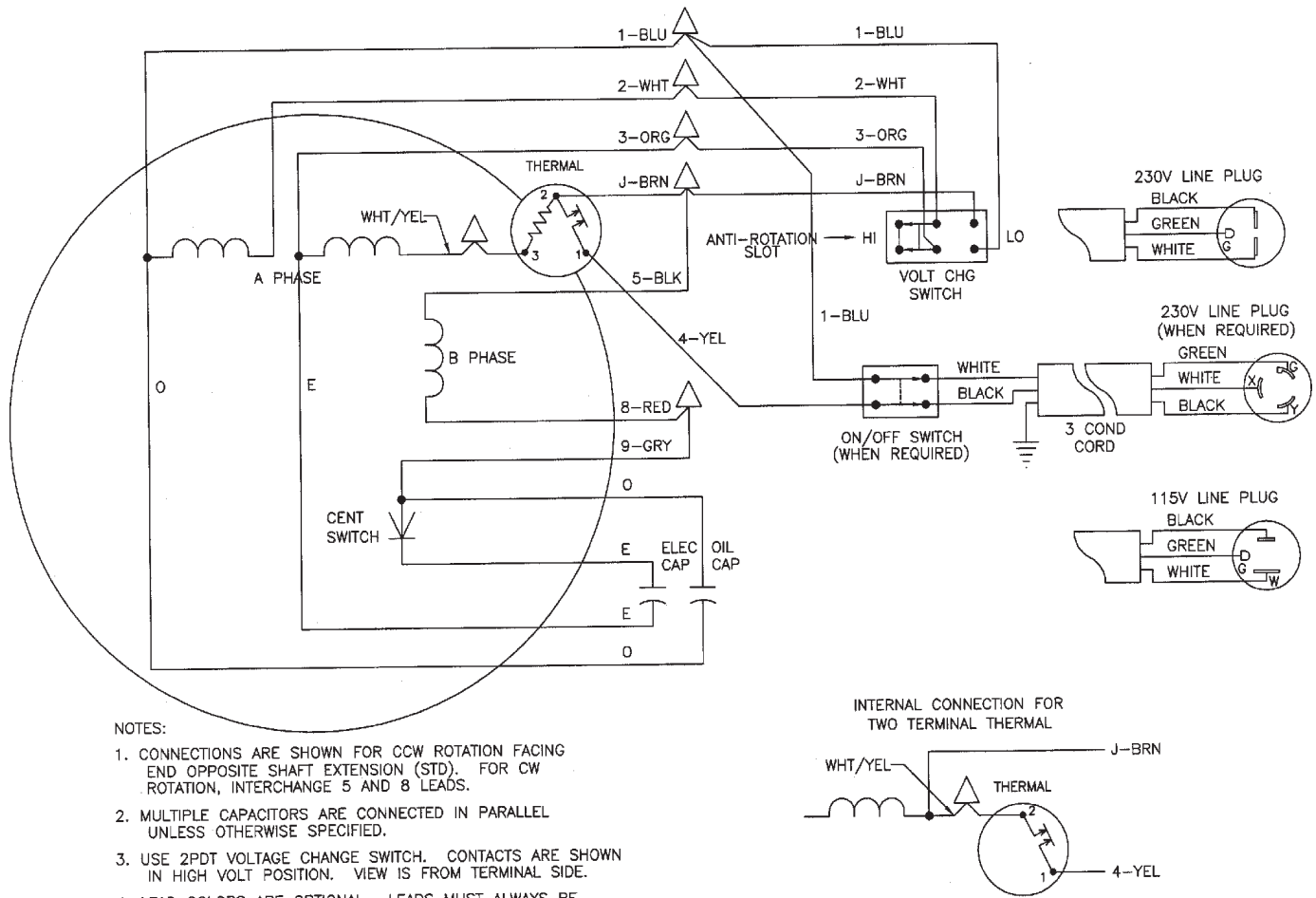


Figure 39. Electric Motor Wiring Diagram

OPERATIONS MANUAL

HERE'S HOW TO GET HELP

PLEASE HAVE THE MODEL AND SERIAL
NUMBER *ON-HAND* WHEN CALLING

MULTIQUIP CORPORATE OFFICE

18910 Wilmington Ave.
Carson, CA 90746
Email: mq@multiquip.com
Internet: www.multiquip.com

800-421-1244
FAX: 310-537-3927

PARTS DEPARTMENT

800-427-1244
310-537-3700

FAX: 800-672-7877
FAX: 310-637-3284

MAYCO PARTS

800-306-2926
310-537-3700

FAX: 800-672-7877
FAX: 310-637-3284

SERVICE DEPARTMENT

800-421-1244
310-537-3700

FAX: 310-537-4259

TECHNICAL ASSISTANCE

800-478-1244

FAX: 310-631-5032

WARRANTY DEPARTMENT

800-421-1244, EXT. 279
310-537-3700, EXT. 279

FAX: 310-537-1173

Your Local Dealer is:



MULTIQUIP INC.

18910 WILMINGTON AVE.
CARSON, CALIFORNIA 90746
800-421-1244 • 310-537-3700
FAX: 310-537-3927
E-mail: mq@multiquip.com
Internet: multiquip.com