

**IMPORTANT:**  
**Read Before Using**

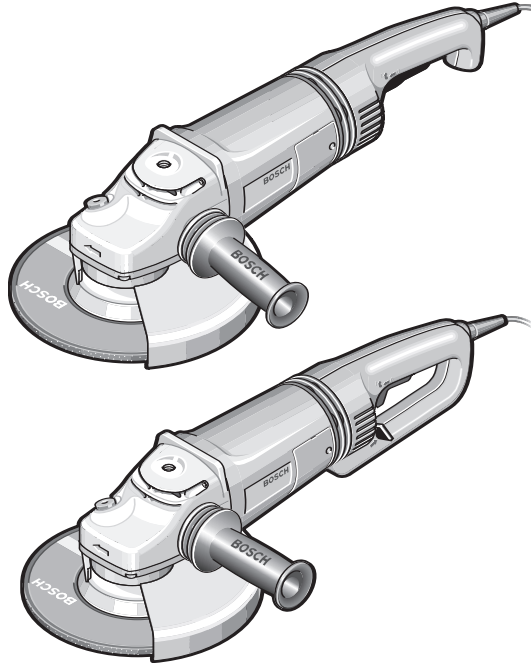
**IMPORTANT :**  
**Lire avant usage**

**IMPORTANTE:**  
**Leer antes de usar**



**Operating/Safety Instructions**  
**Consignes de fonctionnement/sécurité**  
**Instrucciones de funcionamiento y seguridad**

- 1873-6**
- 1873-8**
- 1873-8F**
- 1893-6**
- 1894-6**



**BOSCH**

**Call Toll Free for  
Consumer Information  
& Service Locations**

**Pour obtenir des informations  
et les adresses de nos centres  
de service après-vente,  
appelez ce numéro gratuit**

**Llame gratis para  
obtener información  
para el consumidor y  
ubicaciones de servicio**

**1-877-BOSCH99 (1-877-267-2499) [www.boschtools.com](http://www.boschtools.com)**

**For English Version  
See page 2**

**Version française  
Voir page 13**

**Versión en español  
Ver la página 24**

## General Safety Rules

**▲ WARNING** Read all instructions. Failure to follow all instructions listed below may result in electric shock, fire and/or serious injury. The term “power tool” in all of the warnings listed below refers to your mains-operated (corded) power tool or battery-operated (cordless) power tool.

### SAVE THESE INSTRUCTIONS

#### Work area safety

**Keep work area clean and well lit.** Cluttered or dark areas invite accidents.

**Do not operate power tools in explosive atmospheres, such as in the presence of flammable liquids, gases or dust.** Power tools create sparks which may ignite the dust or fumes.

**Keep children and bystanders away while operating a power tool.** Distractions can cause you to lose control.

#### Electrical safety

**Power tool plugs must match the outlet. Never modify the plug in any way. Do not use any adapter plugs with earthed (grounded) power tools.** Unmodified plugs and matching outlets will reduce risk of electric shock.

**Avoid body contact with earthed or grounded surfaces such as pipes, radiators, ranges and refrigerators.** There is an increased risk of electric shock if your body is earthed or grounded.

**Do not expose power tools to rain or wet conditions.** Water entering a power tool will increase the risk of electric shock.

**Do not abuse the cord. Never use the cord for carrying, pulling or unplugging the power tool. Keep cord away from heat, oil, sharp edges or moving parts.** Damaged or entangled cords increase the risk of electric shock.

**When operating a power tool outdoors, use an extension cord suitable for outdoor use.** Use of a cord suitable for outdoor use reduces the risk of electric shock.

**Do not use AC only rated tools with a DC power supply.** While the tool may appear to work, the electrical components of the AC rated tool are likely to fail and create a hazard to the operator.

**If operating the power tool in damp locations is unavoidable a Ground Fault Circuit Interrupter (GFCI) must be used to supply the power to your tool.** GFCI and personal protection devices like electrician’s rubber gloves and footwear will further enhance your personal safety.

#### Personal safety

**Stay alert, watch what you are doing and use common sense when operating a power tool. Do not use a power tool while you are tired or under the influence of drugs, alcohol or medication.** A moment of inattention while operating power tools may result in serious personal injury.

**Use safety equipment. Always wear eye protection.** Safety equipment such as dust mask, non-skid safety shoes, hard hat, or hearing protection used for appropriate conditions will reduce personal injuries.

**Avoid accidental starting. Ensure the switch is in the off-position before plugging in.** Carrying power tools with your finger on the switch or plugging in power tools that have the switch on invites accidents.

**Remove any adjusting key or wrench before turning the power tool on.** A wrench or a key left attached to a rotating part of the power tool may result in personal injury.

**Do not overreach. Keep proper footing and balance at all times.** This enables better control of the power tool in unexpected situations.

**Dress properly. Do not wear loose clothing or jewelry. Keep your hair, clothing and gloves away from moving parts.** Loose clothes, jewelry or long hair can be caught in moving parts.

**If devices are provided for the connection of dust extraction and collection facilities, ensure these are connected and properly used.** Use of these devices can reduce dust-related hazards.

**Keep handles dry, clean and free from oil and grease.** Slippery hands cannot safely control the power tool.

### **Power tool use and care**

**Do not force the power tool. Use the correct power tool for your application.** The correct power tool will do the job better and safer at the rate for which it was designed.

**Do not use the power tool if the switch does not turn it on and off.** Any power tool that cannot be controlled with the switch is dangerous and must be repaired.

**Disconnect the plug from the power source and/or the battery pack from the power tool before making any adjustments, changing accessories, or storing power tools.** Such preventive safety measures reduce the risk of starting the power tool accidentally.

**Store idle power tools out of the reach of children and do not allow persons unfamiliar with the power tool or these instructions to operate the power tool.** Power tools are dangerous in the hands of untrained users.

**Maintain power tools. Check for misalignment or binding of moving parts, breakage of parts and any other condition that may affect the power tools operation. If damaged, have the power tool repaired before use.** Many accidents are caused by poorly maintained power tools.

**Keep cutting tools sharp and clean.** Properly maintained cutting tools with sharp cutting edges are less likely to bind and are easier to control.

**Use the power tool, accessories and tool bits etc., in accordance with these instructions and in the manner intended for the particular type of power tool, taking into account the working conditions and the work to be performed.**

Use of the power tool for operations different from those intended could result in a hazardous situation.

**Use clamps or other practical way to secure and support the workpiece to a stable platform.** Holding the work by hand or against your body is unstable and may lead to loss of control.

### **Service**

**Have your power tool serviced by a qualified repair person using only identical replacement parts.** This will ensure that the safety of the power tool is maintained.

**Develop a periodic maintenance schedule for your tool. When cleaning a tool be careful not to disassemble any portion of the tool since internal wires may be misplaced or pinched or safety guard return springs may be improperly mounted.** Certain cleaning agents such as gasoline, carbon tetrachloride, ammonia, etc. may damage plastic parts.

## **SAVE THESE INSTRUCTIONS**

### **Angle Grinder Safety Rules**

**Always use proper guard with grinding wheel.** A guard protects operator from broken wheel fragments. When using grinding wheel attachments, the guard must always be attached to the tool and positioned for maximum safety, so the least amount of wheel is exposed from the side the tool is being operated.

**Accessories must be rated for at least the speed recommended on the tool warning label.** Wheels and other accessories running over rated speed can fly apart and cause injury. Grinding wheels or any other

accessory must have a maximum safe operating speed greater than the "no load RPM" marked on the tool's nameplate.

**Hold tool by insulated gripping surfaces when performing an operation where the cutting tools may contact hidden wiring or its own cord.** Contact with a "live" wire will make exposed metal parts of the tool "live" and shock the operator.

**Always use auxiliary handle for maximum control over torque reaction or kick-back.** Operation of the grinder without the side handle could cause loss of control of the

grinder, resulting in possible serious personal injury.

**Before using a grinder or installing a new wheel, inspect the grinding wheel for chips and cracks. Remove bad wheels immediately. Run the tool at no load for one minute, holding the tool in the direction away from people.** Wheels with flaws will normally break apart during this time.

**Carefully handle both the tool and individual grinding wheels to avoid chipping or cracking. Install a new wheel if tool is dropped while grinding. Do not use a wheel that may be damaged.** Fragments from a wheel that bursts during operation will fly away at great velocity possibly striking you or bystanders.

**Do not use grinding wheel that is larger than the maximum recommended size for your tool, or worn down damaged wheels from larger grinders.** Wheels intended for large angle sander/grinders are not suitable for the high speed of a small angle sander/grinder, these wheels may easily burst and the fragments strike you or bystanders.

**Do not use depressed hub grinding wheels for cut-off operations.** Depressed hub wheels or type 27 wheels are not intended for side loading and may shatter under overload.

**Do not use this tool with "Woodcarving" blade.** Such blades create frequent kick-back and loss of control.

**Wear proper apparel while using a sander/grinder.** Face shield or at least safety goggles, dust mask, leather gloves and shop apron capable of stopping small wheel or workpiece fragments.

**Position the cord clear of the spinning grinding wheel or any other sanding accessory. Do not wrap the cord around your arm or wrist.** If you lose control and have the cord wrapped around your arm or wrist it may entrap you and cause injury.

**Avoid bouncing and snagging the wheel, especially when working corners, sharp edges etc.** This can cause loss of control and kick-back.

**Regularly clean the tool's air vents by compressed air.** Excessive accumulation of powdered metal inside the motor housing may cause electrical failures.

**Do not grind or sand near flammable materials.** Sparks from the wheel could ignite these materials.

**This tool can be converted to a sander. When grinding is resumed the proper guard and wheel flanges MUST be reinstalled before proceeding with grinding. The guard must always be attached to the tool and positioned for maximum safety, so the least amount of wheel is exposed from the side the tool is being operated.** The grinding wheel guard cannot be used for most sanding operations or for wire brushing.

**When sanding, do not use oversized sanding disc.** Larger sanding disc will extend beyond the sanding pad causing snagging, tearing of the disc or kick-back. Extra paper extending beyond the sanding pad can also cause serious lacerations.

**When sanding chemically pressure treated lumber, paint that may be lead based, or any other materials that may contain carcinogens, use special precautions.** A suitable breathing respirator must be worn by all personal entering the work area. Work area should be sealed by plastic sheeting and persons not protected should be kept out until work area is thoroughly cleaned.

**Direct the discharge of the spinning wire brush away from you.** Small particles and tiny wire fragments may be discharged at high velocity during the "cleaning" action with these brushes and may become imbedded in your skin.


**⚠ WARNING** Some dust created by power sanding, sawing, grinding, drilling, and other construction activities contains chemicals known to cause cancer, birth defects or other reproductive harm. Some examples of these chemicals are:

- Lead from lead-based paints,
- Crystalline silica from bricks and cement and other masonry products, and
- Arsenic and chromium from chemically-treated lumber.

Your risk from these exposures varies, depending on how often you do this type of work. To reduce your exposure to these chemicals: work in a well ventilated area, and work with approved safety equipment, such as those dust masks that are specially designed to filter out microscopic particles.

## Symbols

**IMPORTANT:** Some of the following symbols may be used on your tool. Please study them and learn their meaning. Proper interpretation of these symbols will allow you to operate the tool better and safer.

Symbol	Name	Designation/Explanation
V	Volts	Voltage (potential)
A	Amperes	Current
Hz	Hertz	Frequency (cycles per second)
W	Watt	Power
kg	Kilograms	Weight
min	Minutes	Time
s	Seconds	Time
∅	Diameter	Size of drill bits, grinding wheels, etc.
n <sub>0</sub>	No load speed	Rotational speed, at no load
.../min	Revolutions or reciprocation per minute	Revolutions, strokes, surface speed, orbits etc. per minute
0	Off position	Zero speed, zero torque...
1, 2, 3, ... I, II, III,	Selector settings	Speed, torque or position settings. Higher number means greater speed
0 ▽	Infinitely variable selector with off	Speed is increasing from 0 setting
→	Arrow	Action in the direction of arrow
~	Alternating current	Type or a characteristic of current
≡	Direct current	Type or a characteristic of current
⎓	Alternating or direct current	Type or a characteristic of current
□	Class II construction	Designates Double Insulated Construction tools.
⊕	Earthing terminal	Grounding terminal
⚠	Warning symbol	Alerts user to warning messages
	Ni-Cad RBRC seal	Designates Ni-Cad battery recycling program



This symbol designates that this tool is listed by Underwriters Laboratories.



This symbol designates that this tool is listed to Canadian Standards by Underwriters Laboratories.



This symbol designates that this tool complies to NOM Mexican Standards.



This symbol designates that this tool is listed by the Canadian Standards Association.

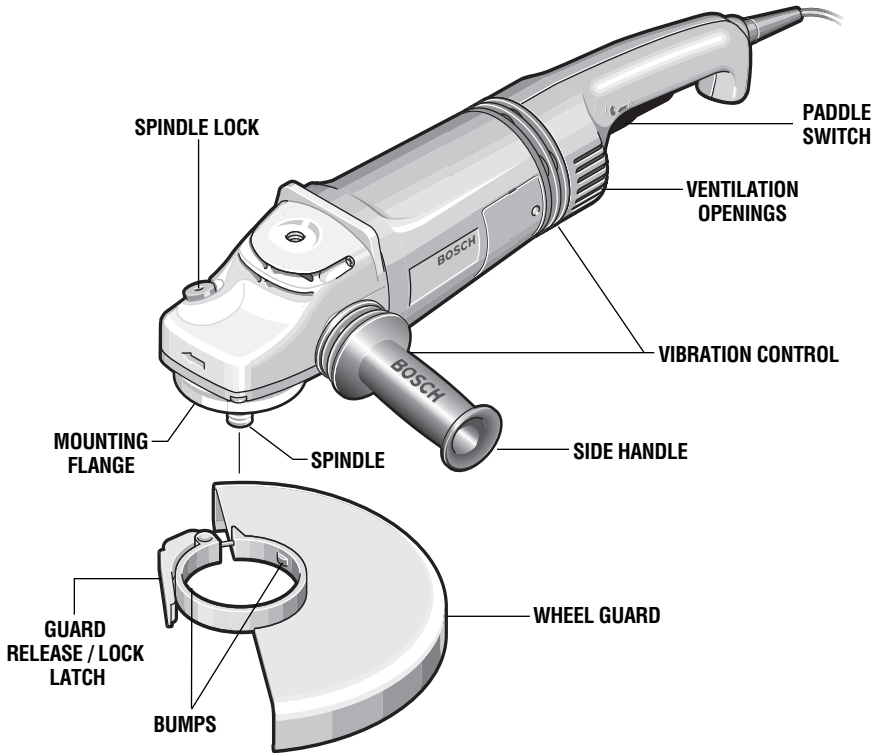


This symbol designates that this tool is listed by Underwriters Laboratories, and listed to Canadian Standards by Underwriters Laboratories.

## Functional Description and Specifications

**⚠ WARNING** Disconnect the plug from the power source before making any assembly, adjustments or changing accessories. Such preventive safety measures reduce the risk of starting the tool accidentally.

### Angle Grinders



Model number	1873-8 & 1873-8F	1873-6	1893-6 & 1894-6
No load speed	n <sub>0</sub> 8,500/min	n <sub>0</sub> 6,000/min	n <sub>0</sub> 6,000/min
Spindle thread	5/8"-11 UNC	5/8"-11 UNC	5/8"-11 UNC
Max. grinding wheel (Type 27)	*7" Dia.	*7" Dia.	*9" Dia.
Max. flared cup wheel (Type 11)	4" Dia.	5" Dia.	5" Dia.
Max. wire wheel	4-1/2" Dia.	6" Dia.	6" Dia.
Max. wire cup brush	7" Dia.	6" Dia.	6" Dia.
Max. sanding disc	7" Dia.	7" Dia.	9" Dia.

**NOTE:** For tool specifications refer to the nameplate on your tool.

\* Always use appropriate size wheel guard.

## Grinder Assembly

### WHEEL GUARD INSTALLATION

**WARNING** Use wheel guard with disc grinding wheels. Always close the latch to secure the guard. Keep the guard between you and the wheel. Do not direct guard opening toward your body.

The position of the guard can be adjusted to accommodate the operation being performed.

To attach wheel guard DISCONNECT tool from power source.

Open guard release/lock latch and position guard on spindle neck so that the two bumps on guard, line up with the two notches on the spindle neck.

Rotate guard either direction to desired position, and close latch to secure guard in place.

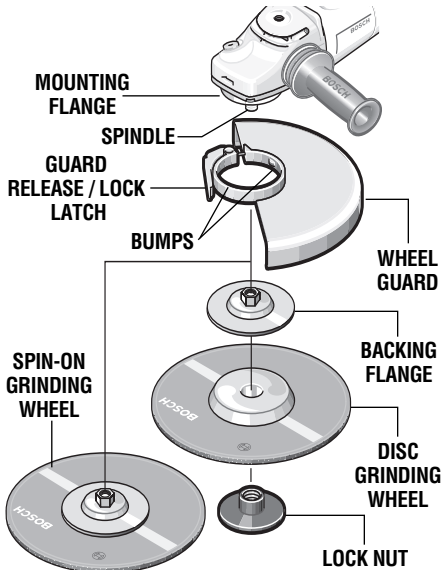
**TO REMOVE GUARD:** Open guard release/lock latch, rotate guard until the two bumps on guard line up with the two notches on the spindle neck, and lift guard off the spindle neck.

### LOCK NUT AND BACKING FLANGE

Your tool is equipped with a threaded spindle for mounting accessories. Always use the lock nut and backing flange that has same thread size as spindle.

### DISC GRINDING WHEEL ASSEMBLY

Disconnect tool from power source. Be sure that wheel guard is in place for grinding.



When using spin-on grinding wheels, thread directly onto the spindle.

When using mounting wheels, thread BACKING FLANGE onto spindle, then place GRINDING WHEEL on the spindle. Thread on the lock nut and tighten nut using a lock nut wrench provided with adapter kit, while holding the spindle lock in.

**TO REMOVE:** Reverse procedure.

### CUP GRINDING WHEELS

Use cup grinding wheels for heavy-duty stock removal of metals, concrete and stone.

### ADJUSTABLE CUP WHEEL GUARD INSTALLATION

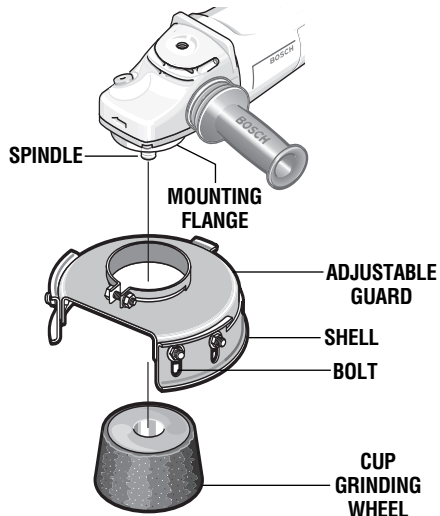
Open the guard clamp and fit it on the mounting flange then secure by tightening the clamp screw. **ALWAYS HAVE THIS GUARD ATTACHED WHEN USING CUP GRINDING WHEELS**

The adjustable guard allows you to lower or raise the guard's shell. **TO ADJUST:** Loosen the four bolts on the shell, and secure the shell for 1/4" wheel exposure for maximum safety.

### ATTACHING CUP GRINDING WHEEL

Thread the cup grinding wheel on the spindle shaft **CLOCKWISE**. Press in the spindle lock button and turn the cup grinding wheel until the lock button engages, then tighten the wheel securely by hand.

**TO REMOVE:** Reverse procedure.



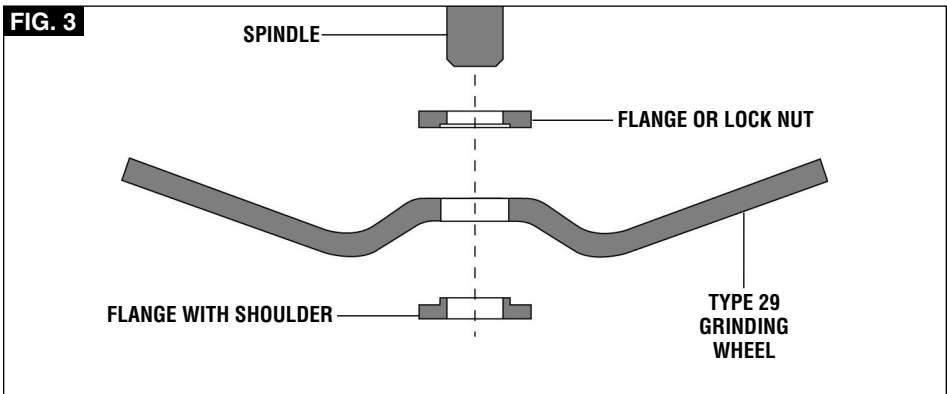
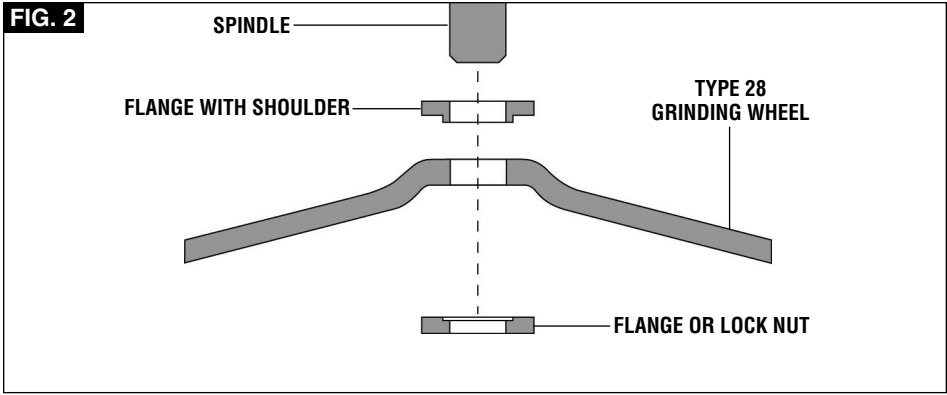
### MOUNTING TYPE 28 OR TYPE 29 GRINDING WHEELS

**WARNING** To reduce the risk of injury, do not use the flange set provided with your tool for mounting type 28 or type 29 grinding wheels. The flanges provided with your tool are not designed for mounting these wheels.

Only use small flange set (available as accessory) when mounting type 28 or type 29 wheels (Fig. 1).

Refer to figures 2 or 3 for proper wheel assembly when using the small flange set.

#### SMALL FLANGE SET PART NO. 1 607 000 380





## Sander Assembly

### BACKING PAD

**WARNING** Before attaching a backing pad be sure its maximum safe operating speed is not exceeded by the nameplate speed of the tool.

**WARNING** Wheel guard may not be used for most sanding operations. Always reinstall wheel guard when converting back to grinding operations.

### TO INSTALL BACKING PAD AND SANDING DISC

Disconnect tool from power source. Set the tool on its top side (spindle up). Place the rubber backing pad onto the spindle shaft. Center the sanding disc on top of the backing pad. Insert the lock nut through the disc and thread onto the spindle as far as you can with your fingers. Press in the spindle lock, then tighten the backing pad securely with lock nut wrench.

### TO REMOVE BACKING PAD AND SANDING DISC

Disconnect tool from power source. Using the lock nut wrench unscrew the nut from the spindle, while holding spindle lock in.

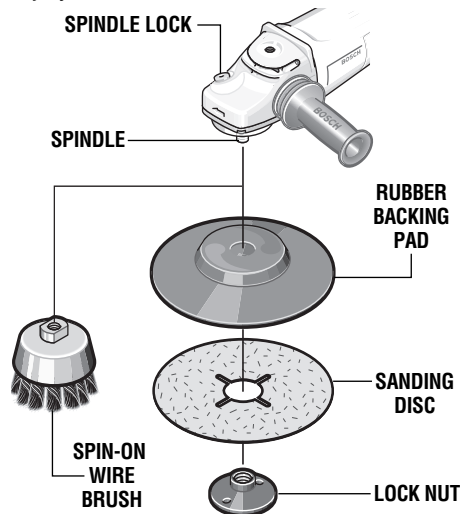
### WIRE BRUSH ASSEMBLY

Before assembling wire brush to this tool, disconnect from the power source. Wire brushes are equipped with their own threaded hub, simply thread on to spindle. Be sure to seat against shoulder before turning tool "ON".

### SIDE HANDLE

The side handle used to guide and balance the tool can be threaded into the front housing on either side, and on top of the tool, depending on personal preference and comfort. Use the side handle for safe control and ease of operation.

**WARNING** Always use auxiliary handle for maximum control over torque reaction or kick-back. Operation of the grinder without the side handle could cause loss of control of the grinder, resulting in possible serious personal injury.



## Operating Instructions

### "TRI-CONTROL" PADDLE SWITCH

The "Tri-Control" Paddle Switch enables the operator to control the switch functions of "Lock-OFF", "ON/OFF" and "Lock-ON".

**TO UNLOCK SWITCH AND TURN TOOL "ON":** Push paddle lever FORWARD (toward the spindle) then squeeze the paddle lever.



**TO SWITCH TOOL "OFF":** Release pressure on paddle lever. The switch is spring loaded and will return to "OFF" position automatically.

The "Lock-ON" feature, incorporated into the paddle switch, is a convenience for long operations.

**TO LOCK SWITCH "ON":** After paddle switch has been activated push paddle lever completely FORWARD and release paddle lever.

**TO SWITCH TOOL "OFF":** Squeeze and then release paddle lever. The switch is spring loaded and will return to "OFF" position automatically.

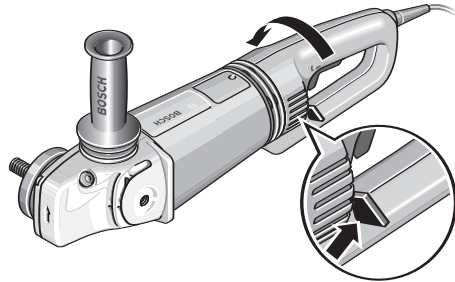
**WARNING** Hold the tool with both hands while starting the tool, since torque from the motor can cause the tool to twist.

Start the tool before applying to work and let the tool come to full speed before contacting the workpiece. Lift the tool from the work before releasing the switch. DO NOT turn the

switch "ON" and "OFF" while the tool is under load; this will greatly decrease the switch life.

### MOTOR HOUSING RELEASE LEVER (Model 1894-6 only)

Your tool is equipped with a motor housing release lever that will allow you to rotate the spindle in either direction 90°. To use this feature, pull release lever in direction of arrow to release housing, and rotate housing until it clicks into place.



## Grinding Operations

### SELECTING GRINDING WHEELS

**WARNING** Before using a grinding wheel, be certain that its maximum safe operating speed is not exceeded by the nameplate speed of the grinder. Do not exceed the recommended wheel diameter.

### DISC GRINDING WHEELS

Grinding wheels should be carefully selected in order to use the grinder most efficiently. Wheels vary in type of abrasive, bond, hardness, grit size and structure. The correct type of wheel to use is determined by the job. Use disc grinding wheels for fast grinding of structural steel, heavy weld beads, steel casting, stainless steel and other ferrous metals.

### GRINDING TIPS

Efficient grinding is achieved by controlling the pressure and keeping the angle between the wheel and workpiece at 10° to 15°. If the wheel is flat, the tool is difficult to control. If the angle is too steep, the pressure is concentrated on a small area causing burning to the work surface.

**WARNING** Excessive or sudden pressure on the wheel will slow grinding action and put dangerous stresses on the wheel.

When grinding with a new wheel be certain to grind while pulling tool backwards until wheel becomes rounded on its edge. New wheels have sharp corners which tend to "bite" or cut into workpiece when pushing forward.

## Sanding Operations

### SELECTING SANDING DISC

Sanding discs are made of extremely hard and sharp aluminum oxide grits, phenol-resin bonded to a sturdy fiber backing for fast heavy-duty service and long life. The discs vary as to size and spacing of the abrasive grits. OPEN COAT (type H) — used for soft materials and on paint or varnish. CLOSED COAT (type K) — used for metal, hardwood, stone, marble and other materials.

Sanding discs range in grit from 16 (very coarse) to 180 (very fine). To obtain best results, select sanding discs carefully. Many jobs require the use of several grit sizes and at times both "open coat and closed coat" discs are required to get the job done faster. See chart for application examples.

<b>Operation:</b> Refinishing painted wood or metal surfaces.	
<b>REMARKS</b>	<b>GRIT</b>
To remove paint and to smooth surface irregularities.	Coarse 16-24-30
To smooth the rough sanding.	Medium 36-50-80
To remove scratches left by previous discs.	Fine 100-120
To smooth surfaces for painting, polishing or waxing.	Very Fine 150-180

**SANDING TIPS**

For best results, tilt the Disc Sander at a 10° to 15° angle while sanding so that only about 1" of the surface around the edge of the disc contacts the work.

If the disc (accessory) is held flat or the back edge of the disc comes in contact with the work, a violent thrust to the side may result.

If sander is tilted too much, sanding action will be too great and a rough cut surface or gouging and snagging will result.

Guide the Disc Sander with crosswise strokes. Be careful not to hold the sander in one spot too long. Do not use a circular motion, as this makes swirl marks. Test before use on scrap stock.

Do not force or apply pressure when sanding. Use only the weight of the tool for

pressure. Excess pressure actually slows the tool down. If faster stock removal is desired, change to a coarser grit disc.

Remove gummy paint from metal with an "open coat" disc. Sand until sparks start to appear, then stop and change to a "closed coat" disc to remove any remaining paint.

**SANDING WOOD**

When sanding wood the direction of the disc motion at the contact point should parallel the grain as much as possible. The rapid cut of discs and the swirl type scratch pattern they occasionally create generally prohibit their use for producing the final finish.

Scratches and circular marks are usually the result of using too coarse a grit. When changing to a finer grit, move across the sanding lines that were made by a previous coarser disc.

**SANDING METAL**

When sanding automobiles or appliances, wipe the metal clean with a non-flammable solvent or commercial cleaner to remove all wax and grease. By doing this first, the sanding discs will sand better and last longer.

For heavy duty work, use a coarse grit disc first. Follow-up with a medium grit to remove scratches. To produce smooth finish, use fine grit disc.

**Wire Brush Operations**

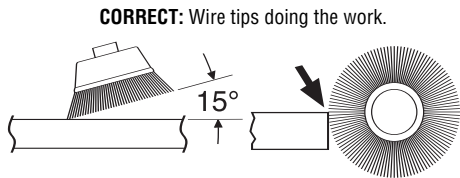
Wire brushes are intended to "clean" structural steel, castings, sheet metal, stone and concrete. They are used to remove rust, scale and paint.

**WARNING** Avoid bouncing and snagging the wire brush, especially when working corners, sharp edges etc. This can cause loss of control and kickback.

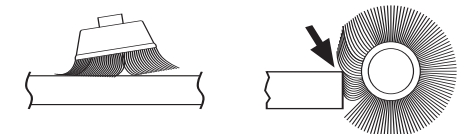
**BRUSHING PRESSURE**

1. Remember, the tips of a wire brush do the work. Operate the brush with the lightest pressure so only the tips of the wire come in contact with the work.
2. If heavier pressures are used, the wires will be overstressed, resulting in a wiping action; and if this is continued, the life of the brush will be shortened due to wire fatigue.
3. Apply the brush to the work in such a way that as much of the brush face as possible is

in full contact with the work. Applying the side or edge of the brush to the work will result in wire breakage and shortened brush life.



**INCORRECT:** Excessive pressure can cause wire breakage.



## Maintenance

### Service

**⚠ WARNING** Preventive maintenance performed by unauthorized personnel may result in misplacing of internal wires and components which could cause serious hazard. We recommend that all tool service be performed by a Bosch Factory Service Center or Authorized Bosch Service Station.

#### TOOL LUBRICATION

Your Bosch tool has been properly lubricated and is ready to use. It is recommended that tools with gears be regreased with a special gear lubricant at every brush change.

#### CARBON BRUSHES

The brushes and commutator in your tool have been engineered for many hours of dependable service. To maintain peak efficiency of the motor, we recommend every two to six months the brushes be examined. Only genuine Bosch replacement brushes specially designed for your tool should be used.

#### BEARINGS

After about 300-400 hours of operation, or at every second brush change, the bearings

should be replaced at Bosch Factory Service Center or Authorized Bosch Service Station. Bearings which become noisy (due to heavy load or very abrasive material cutting) should be replaced at once to avoid overheating or motor failure.

### Cleaning

**⚠ WARNING** To avoid accidents always disconnect the tool from the power supply before cleaning or performing any maintenance. The tool may be cleaned most effectively with compressed dry air. Always wear safety goggles when cleaning tools with compressed air.

Ventilation openings and switch levers must be kept clean and free of foreign matter. Do not attempt to clean by inserting pointed objects through openings.

**⚠ CAUTION** Certain cleaning agents and solvents damage plastic parts. Some of these are: gasoline, carbon tetrachloride, chlorinated cleaning solvents, ammonia and household detergents that contain ammonia.

## Accessories

**⚠ WARNING** If an extension cord is necessary, a cord with adequate size conductors that is capable of carrying the current necessary for your tool must be used. This will prevent excessive voltage drop, loss of power or overheating. Grounded tools must use 3-wire extension cords that have 3-prong plugs and receptacles.

**NOTE:** The smaller the gauge number, the heavier the cord.

#### RECOMMENDED SIZES OF EXTENSION CORDS 120 VOLT ALTERNATING CURRENT TOOLS

Tool's Ampere Rating	Cord Size in A.W.G.				Wire Sizes in mm <sup>2</sup>			
	Cord Length in Feet				Cord Length in Meters			
	25	50	100	150	15	30	60	120
3-6	18	16	16	14	0.75	0.75	1.5	2.5
6-8	18	16	14	12	0.75	1.0	2.5	4.0
8-10	18	16	14	12	0.75	1.0	2.5	4.0
10-12	16	16	14	12	1.0	2.5	4.0	—
12-16	14	12	—	—	—	—	—	—

- \* Wheel guard
- \* Side handle
- \*\* Lock nut wrench (grinding)
- \*\* Backing flange (grinding)
- \*\* Lock nut (grinding)

(\* = standard equipment)  
(\*\* = optional accessories)

- \*\* Grinding wheel
- \*\* Backing flange (sanding)
- \*\* Rubber backing pad (sanding)
- \*\* Lock nut wrench (sanding)

Wheel guard must be used when sander is converted for grinding operations.

## Consignes générales de sécurité

**⚠ AVERTISSEMENT** Veuillez lire et comprendre toutes les consignes. Si on n'observe pas toutes les consignes décrites ci-dessous, il y a risque de choc électrique, d'incendie et/ou de blessures corporelles graves. Dans toutes les mises en garde ci-dessous, le terme « outil électroportatif » se rapporte à des outils branchés sur le secteur (avec fil) ou à des outils alimentés par piles (sans fil).

### CONSERVEZ CES CONSIGNES

#### Sécurité du lieu de travail

**Maintenez le lieu de travail propre et bien éclairé.** Les risques d'accident sont plus élevés quand on travaille dans un endroit encombré ou sombre.

**N'utilisez pas d'outils électroportatifs dans des atmosphères explosives, comme par exemple en présence de gaz, de poussières ou de liquides inflammables.** Les outils électroportatifs produisent des étincelles qui risquent d'enflammer les poussières ou les vapeurs.

**Éloignez les enfants et les visiteurs quand vous vous servez d'un outil électroportatif.** Vous risquez une perte de contrôle si on vous distrait.

#### Sécurité électrique

**Les fiches des outils électroportatifs doivent correspondre à la prise. Il ne faut absolument jamais modifier la fiche. N'utilisez pas d'adaptateur de prise avec des outils électroportatifs munis d'une fiche de terre.** Le risque de choc électrique est moindre si on utilise une fiche non modifiée sur une prise qui lui correspond.

**Évitez tout contact du corps avec des surfaces reliées à la terre tels que tuyaux, radiateurs, gazinières ou réfrigérateurs.** Le risque de choc électrique augmente si votre corps est relié à la terre.

**N'exposez pas les outils électroportatifs à la pluie ou à l'humidité.** Si de l'eau pénètre dans un outil électroportatif, le risque de choc électrique augmente.

**Ne maltraitez pas le cordon. Ne vous en servez jamais pour transporter l'outil électroportatif, pour le tirer ou pour le débrancher. Éloignez le cordon de la chaleur, des huiles, des arêtes coupantes ou des pièces mobiles.** Les cordons abîmés ou emmêlés augmentent les risques de choc électrique.

**Si vous utilisez un outil électroportatif à l'extérieur, employez une rallonge conçue pour l'extérieur.** Ces rallonges sont faites pour l'extérieur et réduisent le risque de choc électrique.

**N'utilisez pas un outil conçu uniquement pour le C.A. sur une alimentation en C.C.** Même si l'outil semble fonctionner, les composants électriques d'un outil prévu pour le C.A. tomberont probablement en panne et risquent de créer un danger pour l'utilisateur.

**S'il est nécessaire d'utiliser l'outil dans un lieu humide, il faut l'alimenter par l'intermédiaire d'un disjoncteur différentiel de fuite à la terre (DDFT).**

L'emploi d'un DDFT et de dispositifs de protection personnelle tels que gants et chaussures d'électricien en caoutchouc améliorent votre sécurité personnelle.

#### Sécurité personnelle

**Restez concentré, faites attention à ce que vous faites, et servez-vous de votre bon sens lorsque vous utilisez un outil électroportatif. N'employez pas d'outils électroportatifs quand vous êtes fatigué ou sous l'emprise de drogues, d'alcool ou de médicaments.** Quand on utilise des outils électroportatifs, il suffit d'un moment d'inattention pour causer des blessures corporelles graves.

**Utilisez des équipements de sécurité. Portez toujours une protection oculaire.** Si les conditions le demandent, il faut porter un masque à poussière, des chaussures de sécurité antidérapantes, un casque de chantier ou une protection auditive pour réduire le risque de blessure corporelle.

**Évitez les démarrages intempestifs. Assurez-vous que l'interrupteur est en position arrêt (OFF) avant de brancher l'outil.** Transporter un outil électroportatif avec le doigt sur la gâchette ou le brancher quand l'interrupteur est en position "marche" (ON) présente des risques d'accident.

**Enlevez toutes les clés de réglage avant de mettre l'outil électroportatif en marche.** Si on laisse une clé sur une pièce tournante de l'outil électroportatif, il y a risque de blessure corporelle.

**Ne vous penchez pas. Conservez toujours une bonne assise et un bon équilibre.** Ceci vous permettra de mieux maîtriser l'outil électroportatif dans des situations inattendues.

**Habillez-vous de manière appropriée. Ne portez pas de vêtements amples ou de bijoux. Attachez les cheveux longs. N'approchez pas les cheveux, les vêtements ou les gants des pièces en mouvement.** Les vêtements amples, les bijoux ou les cheveux longs risquent d'être happés par les pièces en mouvement.

**Si l'outil est muni de dispositifs permettant le raccordement d'un système d'aspiration et de collecte des poussières, assurez-vous que ces dispositifs sont raccordés et utilisés correctement.** L'utilisation de ces dispositifs peut permettre de réduire les dangers liés à la poussière.

**Maintenez les poignées sèches et exemptes d'huile et de graisse.** On ne peut pas maîtriser un outil électroportatif en toute sécurité quand on a les mains glissantes.

## Utilisation et entretien des outils électroportatifs

**Ne forcez pas sur l'outil électroportatif. Utilisez l'outil électroportatif qui convient à la tâche à effectuer.**

L'outil qui convient à la tâche fait un meilleur travail et est plus sûr à la vitesse pour lequel il a été conçu.

**Ne vous servez pas de l'outil électroportatif si son interrupteur ne parvient pas à le mettre en marche ou à l'arrêter.** Tout outil électroportatif qui ne peut pas être commandé par son interrupteur est dangereux et doit être réparé.

**Débranchez la fiche de la prise ou enlevez le bloc-pile de l'outil électroportatif avant tout réglage, changement d'accessoires ou avant de ranger l'outil électroportatif.** De telles mesures de sécurité préventive réduisent le risque de démarrage intempestif de l'outil électroportatif.

**Rangez les outils électroportatifs dont vous ne vous servez pas hors de portée des enfants et ne permettez pas à des personnes qui ne connaissent pas l'outil électroportatif ou qui ignorent ces consignes de s'en servir.** Les outils électroportatifs sont dangereux dans les mains d'utilisateurs inexpérimentés.

**Entretenez les outils électroportatifs. Vérifiez que les pièces mobiles sont alignées correctement et ne coincent pas. Vérifiez qu'il n'y a pas de pièces cassées ou d'autre circonstance qui risquent d'affecter le fonctionnement de l'outil électroportatif. Si l'outil est abîmé, faites-le réparer avant de l'utiliser.** De nombreux accidents sont causés par des outils électroportatifs mal entretenus.

**Maintenez les outils coupants affûtés et propres.** Les outils coupants entretenus correctement et dotés de bords tranchants affûtés sont moins susceptibles de coincer et sont plus faciles à maîtriser.

**Utilisez l'outil électroportatif, les accessoires, les embouts etc. selon ces consignes et de la manière prévue pour chaque type particulier d'outil électroportatif en tenant compte des conditions de travail et de la tâche à accomplir.** L'emploi d'outils électroportatifs pour des tâches différentes de celles pour lesquelles ils ont été prévus peut résulter en une situation dangereuse.

**Utilisez des brides ou d'autres moyens pratiques de brider ou de supporter la pièce sur une plate-forme stable.** Tenir la pièce à la main ou contre le corps est instable et risque de résulter en une perte de contrôle.

### Entretien

**Faites réparer votre outil électroportatif par un agent de service qualifié n'utilisant que des pièces de rechange identiques.** Ceci assure que la sécurité de l'outil électroportatif est préservée.

**Créez un agenda d'entretien périodique pour votre outil. Quand vous nettoyez un outil, faites attention de n'en démonter aucune pièce car il est toujours possible de mal remonter ou de pincer les fils internes ou de remonter incorrectement les ressorts de rappel des capots de protection.** Certains agents de nettoyage tels que l'essence, le tétrachlorure de carbone, l'ammoniaque, etc. risquent d'abîmer les plastiques.

## CONSERVEZ CES INSTRUCTIONS

### Consignes de sécurité de la rectifieuse d'angle

**Utilisez toujours un protecteur approprié avec la meule.** Un protecteur protège l'opérateur contre les fragments de meules brisées. Lorsque vous utilisez des accessoires de meule, le protecteur doit toujours être fixé à l'outil et positionné en vue d'une sécurité maximale, de manière à exposer le moins possible de meule depuis le côté d'utilisation de l'outil.

**Les accessoires doivent être prévus pour au moins la vitesse recommandée sur l'étiquette d'avertissement de l'outil.** Les meules et les autres accessoires utilisés à une vitesse supérieure à la vitesse nominale peuvent se détacher et provoquer des blessures. Les meules ou tout autre accessoire doivent avoir une vitesse maximale de fonctionnement sûr ne dépassant pas le « régime à vide » indiqué sur la plaque signalétique de l'outil.

**Tenez l'outil par les surfaces isolées de préhension en exécutant une opération au cours de laquelle l'outil de coupe peut venir en contact avec les fils cachés ou son propre cordon.** Le contact avec un fil sous tension rendra les pièces métalliques exposées de l'outil sous tension et causera des chocs à l'opérateur.

**Utilisez toujours la poignée auxiliaire pour un contrôle maximal sur le rebond ou la réaction de couple. Ne tentez jamais d'utiliser cet outil d'une seule main.** Vous risquez de perdre le contrôle de la meule si vous l'utilisez sans sa poignée latérale. Il y a un risque de blessure corporelle grave.

**Avant d'utiliser une rectifieuse ou de poser une nouvelle meule, inspectez la meule pour y relever d'éventuels éclats et fissures. Retirez les mauvaises**

**meules immédiatement. Faites fonctionner l'outil à vide pendant une minute, en tenant l'outil en sens opposé aux personnes.** Les meules présentant des défaillances se briseront normalement pendant cette période.

**Maniez soigneusement l'outil aussi bien que les meules individuelles pour éviter les éclats ou les fissurations. Posez une nouvelle meule si l'outil tombe pendant la rectification. N'utilisez pas une meule qui peut être endommagée.** Les fragments d'une meule qui éclate durant le fonctionnement seront projetés à grande vitesse et pourraient frapper des personnes présentes ou vous-même.

**N'utilisez pas une meule de dimensions supérieures à la taille maximale recommandée pour votre outil, ou des meules usées et endommagées provenant de rectifieuses de dimensions supérieures.** Les meules destinées à des ponceuses/rectifieuses à grand angle ne conviennent pas à la vitesse élevée d'une ponceuse/rectifieuse à petit angle ; ces meules peuvent éclater facilement et les fragments peuvent frapper des personnes présentes ou vous-même.

**N'utilisez pas de meules à moyeu affaissé pour des opérations de découpage.** Les meules à moyeu affaissé ou les meules de type 27 ne sont pas destinées au chargement latéral et elles peuvent éclater sous charge.

**N'utilisez pas cet outil avec une lame de travail du bois.** Ces lames provoquent souvent un rebond et une perte de contrôle.

**Portez des vêtements appropriés en utilisant une ponceuse/rectifieuse.** Écran facial ou à tout le moins lunettes à coques latérales, masque antipoussières, gants en cuir et tablier d'atelier susceptibles d'arrêter les petits fragments d'ouvrage ou de meule.

**Placez le cordon à l'écart de la meule en rotation ou de tout autre accessoire de ponçage. N'enroulez pas le cordon autour de votre bras ou de votre poignet.** Si vous perdez contrôle et que le cordon s'enroule autour de votre bras ou de votre poignet, il peut vous emprisonner et vous blesser.

**Évitez de faire rebondir et de heurter la meule, surtout en travaillant des coins, des arêtes vives, etc.** Ceci peut causer une perte de contrôle et un rebond.

**Nettoyez régulièrement les prises d'air de l'outil à l'aide d'air comprimé.** Une accumulation excessive de métal en poudre à l'intérieur du carter du moteur peut causer des défaillances électriques.

**Ne rectifiez et ne poncez pas à proximité de matières inflammables.** Les étincelles provenant de la meule pourraient enflammer ces matières.

**Cet outil peut être transformé en ponceuse. Lorsque vous reprenez la rectification, vous DEVEZ réinstaller le protecteur et les brides de meule appropriés avant de procéder à la rectification. Le protecteur doit toujours être fixé à l'outil et positionné en vue d'une sécurité maximale de manière à exposer le moins possible du côté où l'outil est utilisé.** Le protecteur de meule ne peut être utilisé pour la plupart des opérations de ponçage ou pour le brossage au fil métallique.

**Lorsque vous poncez, n'utilisez pas un disque de ponçage surdimensionné.** Un disque de ponçage plus gros fera saillie au-delà du patin de ponçage, causant ainsi des accrocs, un déchirement du disque ou un rebond. L'excédent de papier faisant saillie au-delà du tampon de ponçage peut également causer des lacerations sérieuses.

**En ponçant du bois d'œuvre traité chimiquement par pression, de la peinture pouvant contenir du plomb ou toute autre matière pouvant contenir des cancérigènes, utilisez des précautions spéciales.** Toutes les personnes pénétrant dans l'aire de travail doivent porter un respirateur adéquat. L'aire de travail doit être scellée par des feuilles en plastique et les personnes non protégées doivent en être gardées à l'extérieur jusqu'à ce que l'aire de travail soit nettoyée soigneusement.

**Dirigez la décharge de la brosse métallique en rotation en sens opposé à vous.** Des petites particules et des petits fragments de fil peuvent être déchargés à grande vitesse durant l'action de « nettoyage » de ces brosses et peuvent se loger dans votre peau.

**⚠ AVERTISSEMENT** Les travaux à la machine tel que ponçage, sciage, meulage, perçage et autres travaux du bâtiment peuvent créer des poussières contenant des produits chimiques qui sont des causes reconnues de cancer, de malformation congénitale ou d'autres problèmes reproductifs. Ces produits chimiques sont, par exemple :

- Le plomb provenant des peintures à base de plomb,
- Les cristaux de silices provenant des briques et du ciment et d'autres produits de maçonnerie, et
- L'arsenic et le chrome provenant des bois traités chimiquement.

Le niveau de risque dû à cette exposition varie avec la fréquence de ces types de travaux. Pour réduire l'exposition à ces produits chimiques, il faut travailler dans un lieu bien ventilé et porter un équipement de sécurité approprié tel que certains masques à poussière conçus spécialement pour filtrer les particules microscopiques.

## Symboles

**IMPORTANT** : Certains des symboles suivants peuvent être utilisés sur votre outil. Veuillez les étudier et apprendre leur signification. Une interprétation appropriée de ces symboles vous permettra d'utiliser l'outil de façon plus efficace et plus sûre.

Symbole	Nom	Désignation/Explication
V	Volts	Tension (potentielle)
A	Ampères	Courant
Hz	Hertz	Fréquence (cycles par seconde)
W	Watt	Puissance
kg	Kilogrammes	Poids
min	Minutes	Temps
s	Secondes	Temps
∅	Diamètre	Taille des mèches de perceuse, meules, etc.
$n_0$	Vitesse à vide	Vitesse de rotation, à vide
.../min	Tours ou mouvement alternatif par minute	Tours, coups, vitesse en surface, orbites, etc., par minute
0	Position d'arrêt	Vitesse zéro, couple zéro ...
1, 2, 3, ... I, II, III, ...	Réglages du sélecteur	Réglages de vitesse, de couple ou de position. Un nombre plus élevé signifie une vitesse plus grande.
	Sélecteur variable à l'infini avec arrêt	La vitesse augmente depuis le réglage 0
	Flèche	Action dans la direction de la flèche
	Courant alternatif	Type ou caractéristique du courant
	Courant continu	Type ou caractéristique du courant
	Courant alternatif ou continu	Type ou caractéristique du courant
	Construction classe II	Désigne des outils construits avec double isolation
	Borne de terre	Borne de mise à la terre
	Symbole d'avertissement	Alerte l'utilisateur aux messages d'avertissement.
	Sceau Ni-Cad RBRC	Désigne le programme de recyclage des piles Ni-Cad.



Ce symbole signifie que cet outil est approuvé par Underwriters Laboratories.



Ce symbole signifie que cet outil est approuvé conformément aux normes canadiennes par Underwriters Laboratories.



Ce symbole signifie que cet outil se conforme aux normes mexicaines NOM.



Ce symbole signifie que cet outil est approuvé par l'Association canadienne de normalisation.



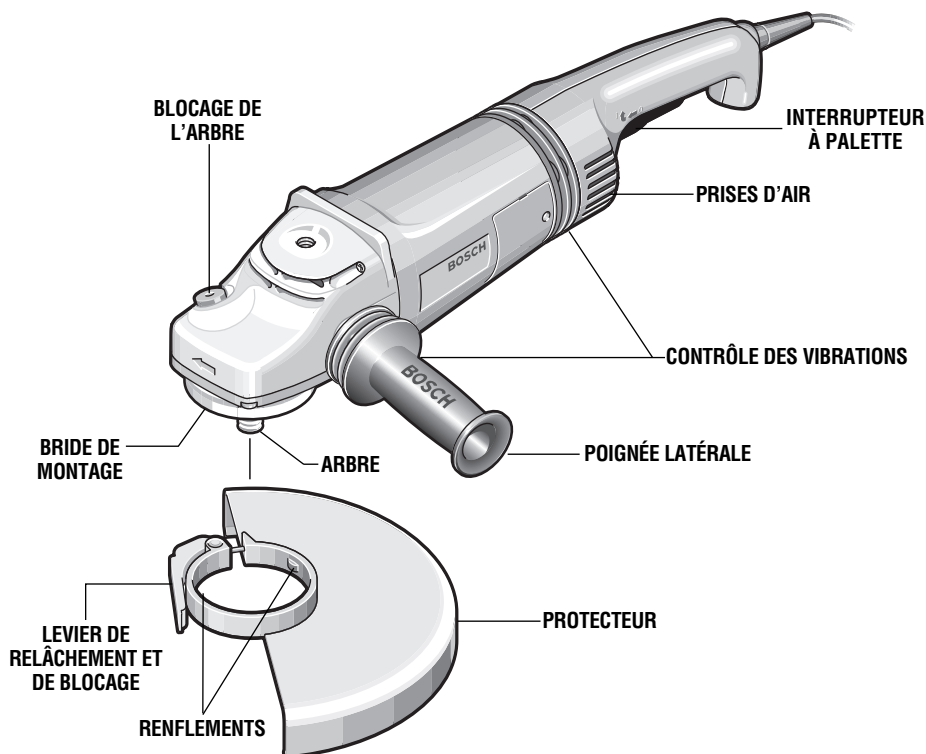
Ce symbole signifie que cet outil est approuvé par Underwriters Laboratories et qu'il a été homologué selon les normes canadiennes par Underwriters Laboratories.



## Description fonctionnelle et spécifications

**⚠ AVERTISSEMENT** Débranchez la fiche de la prise de courant avant d'effectuer quelque assemblage ou réglage que ce soit ou de changer les accessoires. Ces mesures de sécurité préventive réduisent le risque d'une mise en marche accidentelle de l'outil.

### Rectifieuses d'angles



#### Numéro de modèle

Régime à vide

Filet d'arbre

Diamètre max. de meule (type 27)

Diamètre max. de meule en coupe (type 11)

Meule métallique max.

Brosse en coupe métall. max.

Disque de ponçage max.

#### 1873-8 et 1873-8F

$n_0$  8,500/min

5/8 po -11 UNC

\*7 po diam

4 po diam

4-1/2 po diam

7 po diam

7 po diam

#### 1873-6

$n_0$  6,000/min

5/8 po -11 UNC

\*7 po diam

5 po diam

6 po diam

6 po diam

7 po diam

#### 1893-6 et 1894-6

$n_0$  6,000/min

5/8 po -11 UNC

\*9 po diam

5 po diam

6 po diam

6 po diam

9 po diam

**REMARQUE :** Pour spécifications de l'outil, reportez-vous à la plaque signalétique de votre outil.

\* Utilisez toujours un protecteur de meule de taille appropriée.

## Assemblage de la rectifieuse

### POSE DU PROTECTEUR

**AVERTISSEMENT** Utiliser le protecteur de meule avec les meules à disque. Toujours fermer le verrou pour fixer le protecteur. Maintenir le protecteur entre vous et la meule. Ne pas diriger vers vous l'ouverture du protecteur.

La position du protecteur peut être ajustée en fonction de la tâche à accomplir.

Pour fixer le protecteur de meule, DÉBRANCHEZ l'outil de la prise de courant.

Appuyez sur le levier de relâchement et de blocage et placez le protecteur sur le col de l'arbre afin que les deux renflements du protecteur s'alignent sur les deux encoches du col de l'arbre.

Tournez le protecteur dans les deux sens jusqu'à la position désirée et relâchez le levier pour fixer le protecteur.

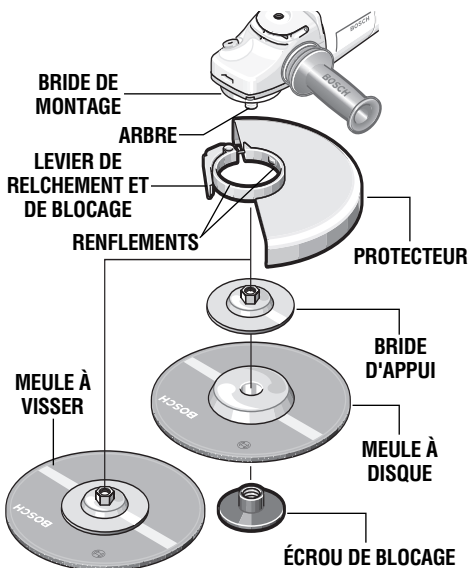
**POUR RETIRER LE PROTECTEUR :** Appuyez sur le levier de relâchement et de blocage, tournez le protecteur jusqu'à ce que les deux renflements du protecteur s'alignent sur les deux encoches du col de l'arbre et dégagez le protecteur du col de l'arbre.

### ÉCROU DE BLOCAGE ET BRIDE D'APPUI

Votre outil est équipé d'un arbre fileté sur lequel se montent les accessoires. Utilisez toujours l'écrou de blocage (et la bride d'appui) fournis et dont les filets correspondent à ceux de l'arbre.

### ENSEMBLE DE MEULE À DISQUE

Débranchez l'outil de la source de courant. Assurez-vous que le protecteur de meule est en place pour la rectification.



Lorsque vous utilisez des meules vissables, vissez directement sur l'arbre.

Lorsque vous utilisez des meules de montage, vissez la BRIDE D'APPUI sur l'arbre, placez ensuite la MEULE sur l'arbre. Vissez le contre-écrou et serrez l'écrou à l'aide de la clé à contre-écrous fournie avec le nécessaire adaptateur, tout en maintenant l'arbre bloqué.

**POUR RETIRER :** Inversez la procédure.

### MEULES EN COUPE

Utilisez les meules en coupe pour la rectification à grand rendement des métaux, du béton et de la pierre.

### INSTALLATION DU PROTECTEUR RÉGLABLE DE LA MEULE EN COUPE

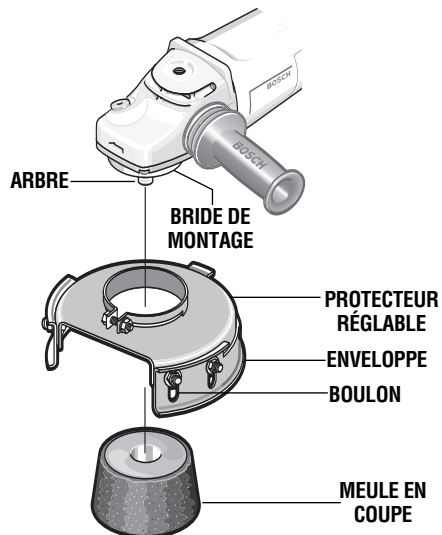
Ouvrez la pince du protecteur et posez-la sur la bride de montage, puis fixez en serrant la vis de la pince. ASSUREZ-VOUS TOUJOURS D'AVOIR CE PROTECTEUR EN PLACE LORSQUE VOUS UTILISEZ LES MEULES EN COUPE.

Le protecteur réglable vous permet de baisser ou de lever l'enveloppe du protecteur. **POUR RÉGLER :** Desserrez les quatre boulons de l'enveloppe, et fixez l'enveloppe pour une exposition de meule de 6.35 mm en vue d'une sécurité maximale.

### FIXATION DE LA MEULE EN COUPE

Vissez la meule en coupe sur l'arbre de l'axe EN SENS HORAIRE. Appuyez sur le bouton de blocage de l'axe et tournez la meule en coupe jusqu'à ce que le bouton de blocage soit engagé, puis serrez la meule solidement à la main.

**POUR RETIRER :** Inversez la procédure.



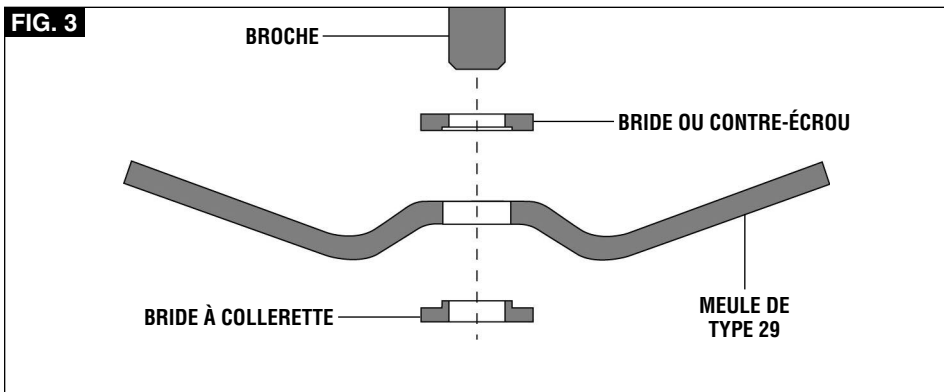
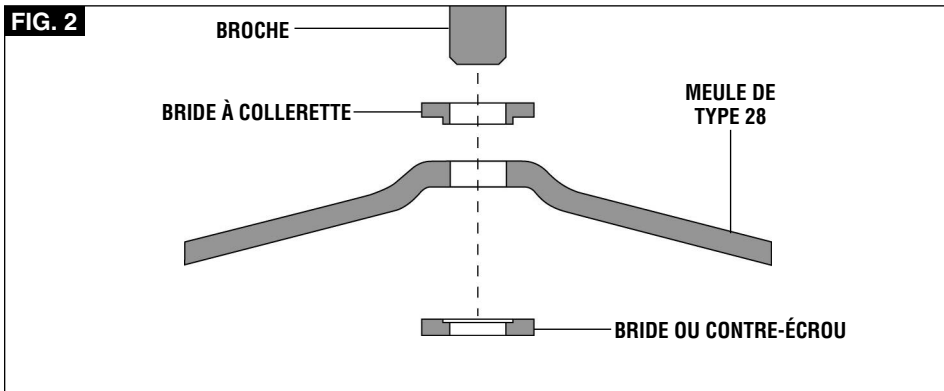
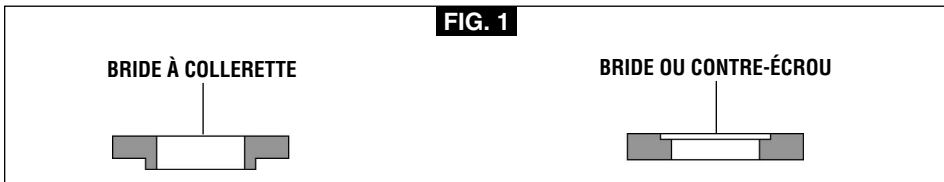
**MONTAGE DES MEULES DE  
TYPE 28 OU DE TYPE 29**

**AVERTISSEMENT** Afin de réduire le risque de blessure, n'utilisez pas l'ensemble de bride fourni avec votre outil si vous montez des meules de type 28 ou de type 29. Les brides fournies avec votre outil ne sont pas conçues pour monter ces types de meules.

Utilisez uniquement un petit ensemble de bride (disponible en accessoire) quand vous montez des meules de type 28 ou de type 29 (fig. 1).

Veuillez vous reporter aux figures 2 et 3 pour apprendre à monter la meule correctement quand vous utilisez le petit ensemble de bride.

**PETIT ENSEMBLE DE BRIDE NO. DE LA PIECE 1 607 000 380**



## Assemblage de la ponceuse

### DISQUE D'APPUI

**⚠ AVERTISSEMENT** Avant d'attacher un disque d'appui, assurez-vous que la vitesse maximale de rotation qu'il peut atteindre, sans compromettre la sécurité de fonctionnement, n'est pas inférieure à la vitesse en marche libre figurant sur la plaquette emblématique de l'outil.

**⚠ AVERTISSEMENT** La plupart des travaux de ponçage s'effectuent sans le protecteur. Remettez toujours le protecteur en place sur l'outil avant de vous en servir pour le meulage.

### POSE DES DISQUES D'APPUI ET DE PONÇAGE

Débranchez l'outil de la source d'alimentation. Tournez-le sur le dos (arbre orienté vers le haut). Placez le disque d'appui en caoutchouc sur l'arbre. Centrez le disque de ponçage sur le disque d'appui. Introduisez l'écrou de blocage dans le disque et vissez-le à fond sur l'arbre avec les doigts. Enfoncez le blocage d'arbre, puis serrez le coussinet d'appui solidement à l'aide de la clé à écrous de blocage.

### DÉPOSE DES DISQUES D'APPUI ET DE PONÇAGE

Débranchez l'outil de la source d'alimentation. À l'aide de la clé à écrous de blocage, dévissez l'écrou de l'arbre, tout en retenant le blocage d'arbre.

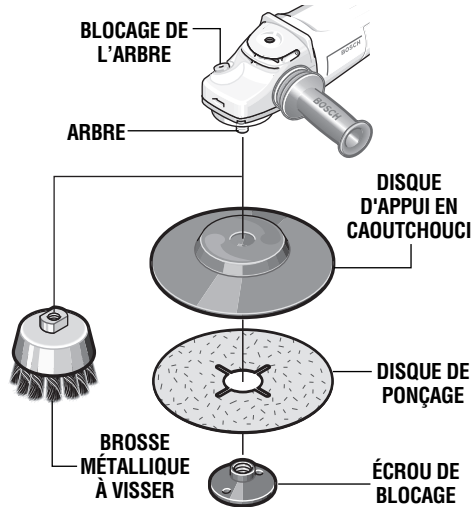
### ENSEMBLE DE BROSSÉ MÉTALLIQUE

Débranchez l'outil de la source d'alimentation avant d'attacher la brosse. Les brosses métalliques sont équipées de moyeu fileté. Il suffit simplement de les visser sur l'arbre et de s'assurer qu'elles sont bien à fond avant de mettre l'outil en marche.

### POIGNÉE LATÉRALE

La poignée latérale servant à guider et à équilibrer l'outil peut être vissée d'un côté ou l'autre et sur le dessus du carter avant selon la préférence de l'utilisateur et la position la plus confortable. Servez-vous de la poignée latérale pour votre sécurité et la facilité d'utilisation.

**⚠ AVERTISSEMENT** Utilisez toujours la poignée auxiliaire pour un contrôle maximal sur le rebond ou la réaction de couple. Ne tentez jamais d'utiliser cet outil d'une seule main. Vous risquez de perdre le contrôle de la meule si vous l'utilisez sans sa poignée latérale. Il y a un risque de blessure corporelle grave.



## Consignes de fonctionnement

### INTERRUPTEUR É PALETTE «TROIS RÉGLAGES»

L'interrupteur à palette permet à l'utilisateur de choisir entre trois réglages : «déverrouillage», «marche/arrêt» et «verrouillage».

**POUR DÉVERROUILLER L'INTERRUPTEUR ET METTRE L'OUTIL EN MARCHÉ :** Déplacez la palette vers l'AVANT (vers l'arbre), puis serrez la palette.



**POUR METTRE L'OUTIL AU REPOS :** Relâchez la palette. L'interrupteur, qui est à ressort, retournera automatiquement à la position d'arrêt.

La fonction de verrouillage, incorporée dans l'interrupteur à palette, est très pratique lors de longs travaux.

**POUR VERROUILLER L'INTERRUPTEUR SOUS TENSION :** Après que l'interrupteur est mis sous tension, DÉPLACEZ la palette totalement vers l'AVANT, puis relâchez-la.

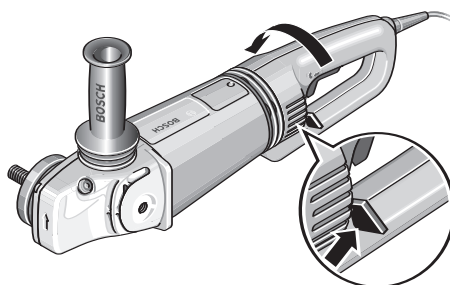
**POUR METTRE L'OUTIL AU REPOS :** Serrez la palette, puis relâchez-la. L'interrupteur, qui est à ressort, retournera automatiquement à la position d'arrêt.

**⚠ AVERTISSEMENT** Tenez l'outil à deux mains à la mise en marche car le couple du moteur peut transmettre une certaine torsion.

Mettez l'outil en marche avant de le poser sur la pièce. De même, soulevez-le avant d'en relâcher l'interrupteur. Pour prolonger la durée de l'interrupteur, évitez de le mettre sous tension et hors tension pendant que l'outil est à l'oeuvre.

### LEVIER DE RELÂCHEMENT DU CARTER MOTEUR (Modèle 1894-6 seulement)

Votre outil est pourvu d'un levier de relâchement du carter moteur qui vous permettra de tourner l'arbre de 90° dans l'un ou l'autre sens. Pour utiliser cette fonction, tirez le levier de relâchement dans le sens de la flèche pour relâcher le carter, et tournez le carter jusqu'à ce qu'il s'encliquète en place.



## Travaux de meulage

### CHOIX DES MEULES

**▲ AVERTISSEMENT** Avant d'utiliser une meule, assurez-vous que la vitesse maximale de rotation qu'elle peut atteindre, sans compromettre la sécurité de fonctionnement, n'est pas inférieure à la vitesse en marche libre figurant sur la plaquette emblématique de l'outil. Ne choisissez pas des meules de diamètre supérieur à celui recommandé.

### MEULES

Pour de meilleurs résultats, choisissez les meules soigneusement. Les meules diffèrent de plusieurs façons : granulométrie, composition, dureté, taille des particules et structure. Le choix de la meule est dicté par le type de travail à réaliser. Utilisez des meules à disque en oxyde d'aluminium pour une rectification rapide de l'acier de construction, des cordons lourds de soudure, des moulages en acier, de l'acier inoxydable et autres métaux ferreux. Utilisez des meules à disque en carbure de silicium pour le finissage du béton ou de la pierre.

### CONSEILS PRATIQUES

Vous aurez de meilleurs résultats si vous maîtrisez la pression sur l'outil et maintenez l'angle d'inclinaison de la meule entre 10 à 15° avec la pièce. L'outil sera difficile à manœuvrer si vous travaillez avec la meule à plat. Par contre, si la meule est trop fortement inclinée, la pression est concentrée sur une petite surface causant la brûlure de la pièce.

**▲ AVERTISSEMENT** La pression exagérée ou soudaine sur la meule ralentira le meulage et soumettra la meule à des contraintes dangereuses.

Lors du rodage d'une meule neuve, assurez-vous de meuler en tirant l'outil vers l'arrière jusqu'à ce que l'arête de la meule devienne arrondie. Les arêtes des meules neuves sont vives et ont tendance à « mordre » ou à trancher la pièce quand l'outil est poussé vers l'avant.

## Travaux de ponçage

### CHOIX DES DISQUES DE PONÇAGE

Les disques de ponçage sont fabriqués de particules abrasives d'alumine extrêmement dures et coupantes, fixées avec de la résine phénolique sur une robuste armature en fibres, ce qui leur permet de résister aux gros ponçages à haute vitesse. La granulométrie et l'espacement des particules abrasives varient selon les types de disques. Les disques à GRAIN OUVERT (type H) sont employés pour le ponçage des matériaux tendres et des surfaces peintes ou vernies. Les disques à GRAIN SERRÉ (type K) servent au ponçage des surfaces en métal, bois dur, pierre, marbre et autres

matériaux dont le traitement produit des particules fines.

Les disques de ponçage sont fabriqués de particules abrasives allant du calibre 16 (très grossier) au calibre 180 (très fin). Vous obtiendrez de meilleurs résultats si vous choisissez avec soin vos disques de ponçage. De nombreux travaux nécessitent l'emploi de plusieurs calibres de particules abrasives et, dans certains cas, vous auriez intérêt à utiliser à la fois des disques à « grain ouvert » et à « grain serré » pour achever plus rapidement le travail. Voir les explications au tableau.

<b>OPÉRATION :</b> Refinition des surfaces en bois ou en métal peint.	
<b>REMARQUES</b>	<b>GRAIN</b>
Pour décaper la peinture et aplanir les irrégularités de surface.	Gros 16-24-30
Pour adoucir les surfaces ayant subi un ponçage de dégrossissage.	Moyen 36-50-80
Pour enlever les égratignures laissées par un ponçage antérieur.	Fin 100-120
Pour adoucir une surface avant la peinture, le polissage ou le cirage.	Très fin 150-180

### CONSEILS PRATIQUES

Pour obtenir de meilleurs résultats, inclinez la ponceuse à disque à un angle de 10 à 15°, de sorte que la seule partie du disque qui est en contact avec la pièce soit une bande d'environ 2,5 cm de large depuis sa circonférence.

Si le disque (accessoire) est maintenu à plat contre la pièce ou si son bord arrière vient en contact avec elle, l'outil risque d'être projeté violemment de côté.

La trop grande inclinaison de la ponceuse causera le ponçage exagéré risquant de marquer, gouger et d'abîmer la surface.

Guidez la ponceuse à disque en la déplaçant dans le sens transversal. Ne vous attardez pas trop longtemps au même endroit. Ne lui imprimez pas de mouvements circulaires car elle laisserait des tourbillons. Effectuez un ponçage d'essai sur une retaille avant d'entreprendre le travail.

Ne forcez pas et n'exercez pas de pression en ponçant. Faites pression uniquement avec le poids de l'outil. Une pression exagérée ralentit effectivement l'outil. Pour un

ponçage plus rapide, utilisez un disque à particules de gros calibre.

Décapez la peinture gommée du métal à l'aide d'un disque à « grain ouvert ». Poncez jusqu'à apparition d'étincelles, puis arrêtez pour substituer un disque à « grain serré » et décapez le reste de la peinture.

### PONÇAGE DU BOIS

Pour le ponçage du bois, le sens de déplacement du disque à partir du point de contact doit être parallèle aux fibres du bois autant que possible. L'abrasion rapide causée par les disques et les égratignures spiralées qu'ils produisent parfois sont les raisons pour lesquelles on évite généralement de les utiliser pour la finition.

Les égratignures et les traces circulaires sont généralement attribuables à l'emploi d'un disque à particules de trop gros calibre. Quand vous aurez substitué le disque à particules plus fines, effectuez des passes transversales croisant les lignes de ponçage laissées antérieurement par le disque plus grossier.

### PONÇAGE DES MÉTAUX

Avant de poncer la tôlerie d'une carrosserie d'automobile ou d'un appareil ménager, nettoyez-la avec un solvant ininflammable ou un nettoyeur commercial pour enlever toute trace de cire ou de graisse. Si vous prenez cette précaution, les disques de ponçage produiront une surface plus douce et dureront davantage.

Pour les tâches plus exigeantes, utilisez d'abord un disque à particules de gros calibre. Servez-vous ensuite d'un abrasif moyen pour enlever les égratignures. Pour obtenir un fini bien lisse, employez un disque à particules fines.

## Travaux à la brosse métallique

**AVERTISSEMENT** Les brosses métalliques servent à « nettoyer » l'acier de construction, les pièces d'acier coulé, la tôle, la pierre et le béton. Elles servent également à décaper la rouille, le tartre et la peinture.

Évitez de faire rebondir et de heurter la brosse métallique, surtout en travaillant des coins, des arêtes vives, etc. Ceci peut causer une perte de contrôle et un rebond.

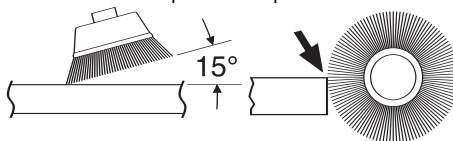
### PRESSION DE BROSSAGE

1. Souvenez-vous : ce sont les pointes d'une brosse métallique qui font le travail. N'appliquez qu'une pression très légère sur la brosse de sorte que seules les pointes des poils viennent en contact avec la pièce.

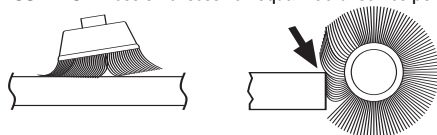
2. Si vous appliquez une pression trop importante, les poils seront surchargés, résultant en un balayage de la pièce. Si ceci se prolonge, la durée de vie de la brosse s'en trouvera écourtée à cause de la fatigue des poils.

3. Appliquez la brosse sur la pièce de manière à ce que la plus grande partie possible de sa tranche soit en contact total avec la pièce. Appliquer le côté ou le bord de la brosse sur la pièce résulterait en une cassure des poils et écourterait sa durée de vie.

**CORRECT** Les pointes des poils font le travail.



**INCORRECT** Pression excessive risquant de briser les poils.



## Entretien

### Service

**⚠ AVERTISSEMENT** Tout entretien préventif effectué par des personnels non autorisés peut résulter en mauvais placement de fils internes ou de pièces, ce qui peut présenter un danger grave. Nous vous conseillons de faire faire tout l'entretien par un centre de service d'usine Bosch ou une station service agréée Bosch.

### LUBRIFICATION DE L'OUTIL

Votre outil Bosch a été lubrifié correctement en usine et il est prêt à l'utilisation. Nous vous conseillons de re-graisser les outils qui comportent des engrenages avec un lubrifiant à engrenages spécial à chaque fois que vous changez les balais.

### BALAIS OU CHARBONS

Les balais (ou charbons) et le collecteur de votre outil ont été conçus pour apporter de nombreuses heures de fonctionnement fiable. Pour maintenir le rendement du moteur à son maximum, nous vous conseillons de contrôler les balais tous les deux à six mois. Il ne faut utiliser que des balais de rechange Bosch d'origine et conçus pour votre outil.

### PALIER

Après environ 300 à 400 heures de fonctionnement ou tous les deux changements de balais, il est conseillé

de faire remplacer les paliers par un centre de service d'usine Bosch ou une station service agréée Bosch. Si les paliers commencent à faire du bruit (à cause de surcharges importantes ou du touillage de matériaux très abrasifs) il faut les faire remplacer immédiatement pour éviter la surchauffe ou une panne de moteur.

### Nettoyage

**⚠ AVERTISSEMENT** Pour éviter les accidents, il faut toujours débrancher l'outil avant de le nettoyer ou de l'entretenir. Le meilleur moyen de nettoyer l'outil est d'utiliser de l'air comprimé sec. Il faut toujours porter des lunettes de protection quand on utilise de l'air comprimé.

Les ouïes de ventilation et les leviers de l'interrupteur doivent rester propres et exempts de corps étrangers. Ne tentez pas de les nettoyer en enfonçant des objets pointus dans les orifices.

**⚠ MISE EN GARDE** Certains agents de nettoyages et certains dissolvants abîment les pièces en plastique. Parmi ceux-ci se trouvent: l'essence, le tétrachlorure de carbone, les dissolvants de nettoyage chlorés, l'ammoniaque ainsi que les détergents domestiques qui en contiennent.

## Accessoires

**⚠ AVERTISSEMENT** Si un cordon de rallonge s'avère nécessaire, vous devez utiliser un cordon avec conducteurs de dimension adéquate pouvant porter le courant nécessaire à votre outil. Ceci préviendra une chute excessive de tension, une perte de courant ou une surchauffe. Les outils mis à la terre doivent utiliser des cordons de rallonge trifilaires pourvus de fiches à trois broches ainsi que des prises à trois broches.

**REMARQUE :** Plus le calibre est petit, plus le fil est gros.

### DIMENSIONS DE RALLONGES RECOMMANDÉES OUTILS 120 VOLTS COURANT ALTERNATIF

Intensité nominale de l'outil	Calibre A.W.G.				Calibre en mm <sup>2</sup>			
	Longueur en pieds				Longueur en mètres			
	25	50	100	150	15	30	60	120
3-6	18	16	16	14	0,75	0,75	1,5	2,5
6-8	18	16	14	12	0,75	1,0	2,5	4,0
8-10	18	16	14	12	0,75	1,0	2,5	4,0
10-12	16	16	14	12	1,0	2,5	4,0	—
12-16	14	12	—	—	—	—	—	—

- \* Protecteur
- \* Poignée latérale
- \*\* Clé de serrage (rectification)
- \*\* Bride d'appui (rectification)
- \*\* Écrou de blocage (rectification)

(\* = équipement standard)  
(\*\* = accessoire en option)

- \*\* Meule
- \*\* Bride d'appui (ponçage)
- \*\* Disque d'appui en caoutchouc (ponçage)
- \*\* Clé de serrage (ponçage)

Il faut utiliser un protecteur de meule quand la ponceuse est convertie pour des opérations de rectification.

## Normas generales de seguridad

**⚠ ADVERTENCIA** Lea todas las instrucciones. Si no se siguen todas las instrucciones que aparecen a continuación, el resultado podría ser sacudidas eléctricas, incendio y/o lesiones graves.

La expresión "herramienta mecánica" en todas las advertencias que aparecen a continuación se refiere a su herramienta mecánica alimentada por la red eléctrica (herramienta alámbrica) o su herramienta mecánica alimentada por baterías (herramienta inalámbrica).

### GUARDE ESTAS INSTRUCCIONES

#### Seguridad del área de trabajo

**Mantenga el área de trabajo limpia y bien iluminada.**

Las áreas desordenadas u oscuras invitan a que se produzcan accidentes.

**No utilice herramientas mecánicas en atmósferas explosivas, como por ejemplo en presencia de líquidos, gases o polvos inflamables.** Las herramientas mecánicas generan chispas que pueden incendiar el polvo o los vapores.

**Mantenga alejados a los niños y a las personas que estén presentes mientras esté utilizando una herramienta mecánica.** Las distracciones pueden hacerle perder el control de la herramienta.

#### Seguridad eléctrica

**Los enchufes de las herramientas mecánicas deben coincidir con el tomacorriente. No modifique nunca el enchufe de ningún modo. No use enchufes adaptadores con herramientas mecánicas conectadas a tierra (puestas a tierra).** Los enchufes no modificados y los tomacorrientes coincidentes reducirán el riesgo de sacudidas eléctricas.

**Evite el contacto del cuerpo con las superficies conectadas o puestas a tierra, tales como tuberías, radiadores, estufas y refrigeradores.** Hay un aumento del riesgo de sacudidas eléctricas si el cuerpo del operador se conecta o pone a tierra.

**No exponga las herramientas mecánicas a la lluvia o a condiciones mojadas.** La entrada de agua en una herramienta mecánica aumentará el riesgo de que se produzcan sacudidas eléctricas.

**No maltrate el cordón de energía. No use nunca el cordón para transportar la herramienta mecánica, tirar de ella o desencharla. Mantenga el cordón alejado del calor, el aceite, los bordes afilados o las piezas móviles.** Los cordones dañados o enganchados aumentan el riesgo de que se produzcan sacudidas eléctricas.

**Cuando utilice una herramienta mecánica en el exterior, use un cordón de extensión adecuado para uso a la intemperie.** La utilización de un cordón adecuado para uso a la intemperie reduce el riesgo de que se produzcan sacudidas eléctricas.

**No use herramientas mecánicas con capacidad nominal solamente para CA con una fuente de energía de CC.** Aunque pueda parecer que la herramienta funciona correctamente, es probable que los componentes eléctricos de la herramienta con

capacidad nominal para CA fallen y creen un peligro para el operador.

**Si es inevitable usar la herramienta mecánica en lugares húmedos, se debe utilizar un interruptor de circuito accionado por corriente de pérdida a tierra (GFCI) para suministrar energía a la herramienta.** Un GFCI y los dispositivos de protección personal, como guantes de goma y calzado de goma de electricista, mejorarán más su seguridad personal.

#### Seguridad personal

**Manténgase alerta, fíjese en lo que está haciendo y use el sentido común cuando esté utilizando una herramienta mecánica. No use una herramienta mecánica cuando esté cansado o bajo la influencia de drogas, alcohol o medicamentos.** Un momento de distracción mientras esté utilizando herramientas mecánicas podría causar lesiones corporales graves.

**Use equipo de seguridad. Use siempre protección de los ojos.** El equipo de seguridad, como por ejemplo una máscara antipolvo, calzado de seguridad antideslizante, casco o protección de oídos, utilizado para las condiciones apropiadas, reducirá las lesiones corporales.

**Evite el arranque accidental. Asegúrese de que el interruptor esté en la posición de apagado antes de enchufar la herramienta.** Si se transportan herramientas mecánicas con el dedo en el interruptor o se enchufan herramientas mecánicas que tienen el interruptor en la posición de encendido, se invita a que se produzcan accidentes.

**Quite todas las llaves de ajuste o de tuerca antes de encender la herramienta mecánica.** Una llave de tuerca o de ajuste que se deje colocada en una pieza giratoria de la herramienta mecánica podría causar lesiones corporales.

**No intente alcanzar demasiado lejos. Mantenga un apoyo de los pies y un equilibrio apropiados en todo momento.** Esto permite controlar mejor la herramienta mecánica en situaciones inesperadas.

**Vístase adecuadamente. No use ropa holgada ni alhajas holgadas. Mantenga el pelo, la ropa y los guantes alejados de las piezas móviles.** La ropa holgada, las alhajas holgadas o el pelo largo pueden quedar atrapados en las piezas móviles.

**Si se proporcionan dispositivos para la conexión de instalaciones de extracción y recolección de polvo, asegúrese de que dichas instalaciones estén**



**conectadas y se usen correctamente.** El uso de estos dispositivos puede reducir los peligros relacionados con el polvo.

**Mantenga los mangos secos, limpios y libres de aceite y grasa.** Las manos resbalosas no pueden controlar de modo seguro la herramienta mecánica.

### Uso y cuidado de las herramientas mecánicas

**No fuerce la herramienta mecánica. Use la herramienta mecánica correcta para la aplicación que desee realizar.** La herramienta mecánica correcta hará el trabajo mejor y con más seguridad a la capacidad nominal para la que fue diseñada.

**No use la herramienta mecánica si el interruptor no la enciende y apaga.** Toda herramienta mecánica que no se pueda controlar con el interruptor es peligrosa y debe ser reparada.

**Desconecte el enchufe de la fuente de energía y/o el paquete de batería de la herramienta mecánica antes de hacer cualquier ajuste, cambiar accesorios o almacenar herramientas mecánicas.** Dichas medidas preventivas de seguridad reducen el riesgo de arrancar accidentalmente la herramienta mecánica.

**Guarde las herramientas que no esté usando fuera del alcance de los niños y no deje que personas que no estén familiarizadas con la herramienta mecánica o con estas instrucciones utilicen la herramienta.** Las herramientas mecánicas son peligrosas en manos de usuarios que no hayan recibido capacitación.

**Mantenga las herramientas mecánicas. Compruebe si hay piezas móviles desalineadas o que se atoran, si hay piezas rotas y si existe cualquier otra situación que podría afectar el funcionamiento de la herramienta mecánica.** Si la herramienta mecánica está dañada, haga que la reparen antes de usarla.

Muchos accidentes son causados por herramientas mecánicas mantenidas deficientemente.

**Mantenga las herramientas de corte afiladas y limpias.** Es menos probable que las herramientas de corte mantenidas apropiadamente, con bordes de corte afilados, se atoren, y dichas herramientas son más fáciles de controlar.

**Use la herramienta mecánica, los accesorios, las brocas de la herramienta, etc., de acuerdo con estas instrucciones y de la manera prevista para el tipo específico de herramienta mecánica, teniendo en cuenta las condiciones de trabajo y el trabajo que se vaya a realizar.** El uso de la herramienta mecánica para operaciones distintas a aquéllas para las que fue diseñada podría causar una situación peligrosa.

**Use abrazaderas u otro modo práctico de sujetar y soportar la pieza de trabajo en una plataforma estable.** Si se sujeta la pieza de trabajo con la mano o contra el cuerpo, se crea una situación inestable que podría causar pérdida de control.

### Servicio de ajustes y reparaciones

**Haga que su herramienta mecánica reciba servicio de un técnico de reparaciones calificado, utilizando únicamente piezas de repuesto idénticas.** Esto asegurará que se mantenga la seguridad de la herramienta mecánica.

**Desarrolle un programa de mantenimiento periódico de la herramienta. Cuando limpie una herramienta, tenga cuidado de no desmontar ninguna de sus partes, ya que los cables internos podrían reubicarse incorrectamente o pellizcarse, o los resortes de retorno de los protectores de seguridad podrían montarse incorrectamente.** Ciertos agentes de limpieza, tales como gasolina, tetracloruro de carbono, amoníaco, etc., podrían dañar las piezas de plástico.

## GUARDE ESTAS INSTRUCCIONES

### Normas de seguridad para amoladoras angulares

**Use siempre el protector adecuado con la rueda de amolar.** El protector protege al operador contra los fragmentos de una muela rota. Al utilizar accesorios de rueda de amolar, el protector siempre debe estar colocado en la herramienta y posicionado para proporcionar una seguridad máxima, de tal manera que la cantidad de muela que quede al descubierto sea mínima en el lado desde el cual se está manejando la herramienta.

**Los accesorios deben tener capacidad nominal para al menos la velocidad recomendada en la etiqueta de advertencia de la herramienta.** Las muelas y otros accesorios que funcionen a velocidades superiores a la

velocidad nominal pueden saltar en pedazos y causar lesiones. Las ruedas de amolar o cualquier otro accesorio deben tener una velocidad máxima de funcionamiento con seguridad superior a las "RPM sin carga" especificadas en la placa del fabricante de la herramienta.

**Sujete la herramienta por las superficies de agarre aisladas cuando realice una operación en la que la herramienta de corte pueda entrar en contacto con cables ocultos o con su propio cordón.** El contacto con un cable que tenga corriente hará que ésta pase a las partes metálicas descubiertas de la herramienta y que el operador reciba sacudidas eléctricas.

**Utilice siempre el mango auxiliar para tener un control máximo sobre la reacción de par motor o retroceso. Nunca intente manejar esta herramienta con una mano.** La utilización de la amoladora sin el mango lateral podría causar pérdida de control de la misma, dando como resultado posibles lesiones personales graves.

**Antes de utilizar una amoladora o de instalar una muela nueva, inspeccione si la rueda de amolar está mellada o agrietada. Quite inmediatamente las muelas defectuosas. Haga funcionar la herramienta sin carga durante un minuto, sujetándola orientada en sentido opuesto a las personas que estén presentes.** Normalmente, las muelas con defectos se romperán en pedazos durante este período de tiempo.

**Maneje cuidadosamente la herramienta y las ruedas de amolar individuales para evitar que se mellen o se agrieten. Instale una muela nueva si la herramienta se cae al amolar. No use una muela que pueda estar dañada.** Los fragmentos de una muela que salta en pedazos durante el funcionamiento saldrán despedidos a gran velocidad y posiblemente le golpearán a usted o golpearán a las personas que estén presentes.

**No utilice una rueda de amolar de tamaño mayor al tamaño máximo recomendado para su herramienta, ni muelas desgastadas y dañadas provenientes de amoladoras más grandes.** Las muelas diseñadas para lijadoras/amoladoras angulares grandes no son adecuadas para la alta velocidad de una lijadora/amoladora angular pequeña. Estas muelas pueden saltar en pedazos fácilmente y los fragmentos pueden golpearle a usted o golpear a las personas que estén presentes.

**No utilice muelas con parte central en forma de depresión para realizar operaciones de corte.** Las ruedas con parte central en forma de depresión o las muelas de tipo 27 no están diseñadas para someterse a carga lateral y pueden hacerse añicos cuando se someten a sobrecarga.

**No use esta herramienta con una hoja "para tallar madera".** Frecuentemente, este tipo de hojas producen retroceso y pérdida de control.

**Use la indumentaria adecuada cuando utilice una lijadora/amoladora.** Máscara protectora o al menos gafas de seguridad, máscara antipolvo, guantes de cuero y delantal de taller con capacidad para detener pequeños fragmentos de muela o de pieza de trabajo.

**Posicione el cordón de modo que no esté en la trayectoria de la rueda de amolar que gira o de cualquier otro accesorio de lijar que gira. No enrolle el cordón alrededor del brazo o la muñeca.** Si pierde el control y tiene el cordón enrollado en el brazo o en la muñeca, el cordón puede atraparle y causarle lesiones.

**Evite que la muela rebote y se atasque, especialmente al trabajar en esquinas, bordes afilados, etc.** Esto puede causar pérdida de control y retroceso.

**Limpie regularmente con aire comprimido las aberturas de ventilación de la herramienta. La**

acumulación excesiva de metal en polvo dentro de la caja del motor puede causar averías eléctricas.

**No amuele ni lije cerca de materiales inflamables.** Las chispas provenientes de la muela podrían inflamar estos materiales.

**Esta herramienta se puede convertir en una lijadora. Al reanudar el amolado, se DEBEN volver a instalar las pestañas adecuadas del protector y de la muela antes de amolar. El protector siempre debe estar colocado en la herramienta y posicionado para proporcionar una seguridad máxima, de tal manera que la cantidad de muela que queda al descubierto sea mínima en el lado desde el cual se está manejando la herramienta.** El protector de la rueda de amolar no se puede usar para la mayoría de las operaciones de lijado ni para limpiar con cepillo de alambre.

**Al lijar, no use un disco de lijar demasiado grande.** Un disco de lijar más grande sobresaldrá de la zapata de lijar, causando atasco, rasgado del disco o retroceso. El papel extra que sobresalga de la zapata de lijar también puede causar laceraciones graves.

**Al lijar madera tratada químicamente a presión, pintura que pueda estar hecha a base de plomo o cualquier otro material que pueda contener carcinógenos, utilice precauciones especiales.** Todo el personal que entre en el área de trabajo debe usar un aparato de respiración adecuado. El área de trabajo debe cerrarse con cubiertas colgantes de plástico y las personas no protegidas deben permanecer fuera hasta que el área de trabajo se haya limpiado a fondo.

**Dirija la descarga de la escobilla de alambre que gira de manera que se aleje de usted.** Durante la acción de "limpieza" con estas escobillas pueden descargarse pequeñas partículas y diminutos fragmentos de alambre a alta velocidad que pueden incrustarse en la piel.

**⚠ ADVERTENCIA** Cierta polvo generado por el lijado, aserrado, amolado y taladrado mecánicos, y por otras actividades de construcción, contiene agentes químicos que se sabe que causan cáncer, defectos de nacimiento u otros daños sobre la reproducción. Algunos ejemplos de estos agentes químicos son:

- Plomo de pinturas a base de plomo,
- Sílice cristalina de ladrillos y cemento y otros productos de mampostería, y
- Arsénico y cromo de madera tratada químicamente.

Su riesgo por causa de estas exposiciones varía, dependiendo de con cuánta frecuencia realice este tipo de trabajo. Para reducir su exposición a estos agentes químicos: trabaje en un área bien ventilada y trabaje con equipo de seguridad aprobado, como por ejemplo máscaras antipolvo que estén diseñadas especialmente para impedir mediante filtración el paso de partículas microscópicas.

## Símbolos

**IMPORTANTE:** Es posible que algunos de los símbolos siguientes se usen en su herramienta. Por favor, estúdielos y aprenda su significado. La interpretación adecuada de estos símbolos le permitirá utilizar la herramienta mejor y con más seguridad.

Símbolo	Nombre	Designación/explicación
V	Volt	Tensión (potencial)
A	Ampere	Corriente
Hz	Hertz	Frecuencia (ciclos por segundo)
W	Watt	Potencia
kg	Kilogramo	Peso
min	Minuto	Tiempo
s	Segundo	Tiempo
∅	Diámetro	Tamaño de las brocas taladradoras, muelas, etc
$n_0$	Velocidad sin carga	Velocidad rotacional sin carga
.../min	Revoluciones o alternación por minuto	Revoluciones, golpes, velocidad de superficie, órbitas, etc., por minuto
0	Posición "off" (apagado)	Velocidad cero, par motor cero...
1, 2, 3, ... I, II, III,	Graduaciones del selector	Graduaciones de velocidad, par motor o posición. Un número más alto significa mayor velocidad
	Selector infinitamente variable con apagado	La velocidad aumenta desde la graduación de 0
	Flecha	Acción en la dirección de la flecha
	Corriente alterna	Tipo o una característica de corriente
	Corriente continua	Tipo o una característica de corriente
	Corriente alterna o continua	Tipo o una característica de corriente
	Construcción de clase II	Designa las herramientas de construcción con aislamiento doble.
	Terminal de toma de tierra	Terminal de conexión a tierra
	Símbolo de advertencia	Alerta al usuario sobre mensajes de advertencia
	Sello RBRC de Ni-Cd	Designa el programa de reciclaje de baterías de Ni-Cd



Este símbolo indica que esta herramienta está catalogada por Underwriters Laboratories.



Este símbolo indica que Underwriters Laboratories ha catalogado esta herramienta indicando que cumple las normas canadienses.



Este símbolo indica que esta herramienta cumple con la norma mexicana oficial (NOM).



Este símbolo indica que esta herramienta está catalogada por la Canadian Standards Association.

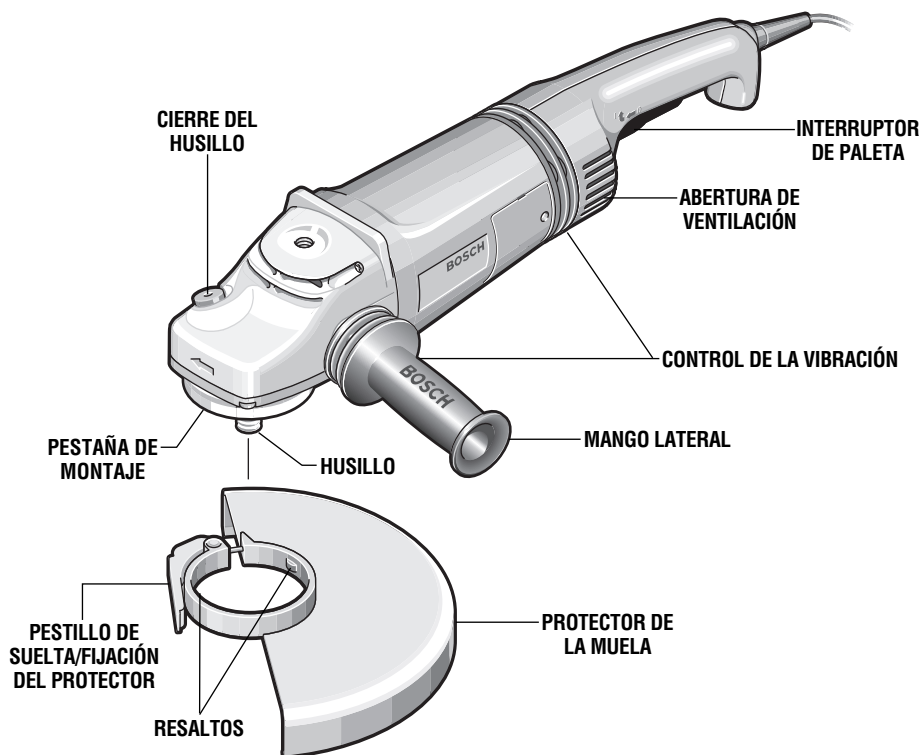


Este símbolo indica que esta herramienta está catalogada por Underwriters Laboratories y que Underwriters Laboratories la ha catalogado según las normas canadienses.

## Descripción funcional y especificaciones

**⚠ ADVERTENCIA** Desconecte el enchufe de la fuente de energía antes de realizar cualquier ensamblaje o ajuste, o cambiar accesorios. Estas medidas de seguridad preventivas reducen el riesgo de arrancar la herramienta accidentalmente.

### Amoladoras angulares



Modelo número	1873-8 y 1873-8F	1873-6	1893-6 y 1894-6
Velocidad sin carga	$n_0$ 8,500/min	$n_0$ 6,000/min	$n_0$ 6,000/min
Rosca del husillo	5/8"-11 UNC	5/8"-11 UNC	5/8"-11 UNC
Máx. muela (tipo 27)	*7" de diám	*7" de diám	*9" de diám
Máx. muela acopada cónica (tipo 11)	4" de diám	5" de diám	5" de diám
Máx. rueda con rayos de alambre	4-1/2" de diám	6" de diám	6" de diám
Máx. escobilla acopada de alambre	7" de diám	6" de diám	6" de diám
Máx. disco de lijar	7" de diám	7" de diám	9" de diám

**NOTA:** Para obtener las especificaciones de la herramienta, consulte la placa del fabricante colocada en la herramienta.

\* Utilice siempre el protector de la muela de tamaño apropiado.

## Ensamblaje de la amoladora

### INSTALACION DEL PROTECTOR DE LA MUELA

**ADVERTENCIA** Utilice el protector de la rueda con ruedas de amolar de disco. Cierre siempre el pestillo para asegurar el protector. Mantenga el protector entre usted y la rueda. No dirija la abertura del protector hacia su cuerpo.

La posición del protector puede ajustarse para acomodar la operación que se esté realizando.

Para colocar el protector de la rueda, DESCONECTE la herramienta de la fuente de energía.

Abra el pestillo de suelta/fijación del protector y posicione el protector en el cuello del husillo de manera que los dos resaltos del protector estén alineados con las dos muescas del cuello del husillo.

Gire el protector en cualquier sentido hasta la posición deseada y cierre el pestillo para fijar el protector en su sitio.

**PARA QUITAR EL PROTECTOR:** Abra el pestillo de suelta /fijación del protector, gire el protector hasta que los dos resaltos del protector estén alineados con las dos muescas del cuello del husillo y eleve el protector respecto al cuello del husillo.

### TUERCA DE FIJACION Y PESTAÑA DE SOPORTE

La herramienta está equipada con un husillo roscado para montar accesorios. Utilice siempre la tuerca de fijación y la pestaña de soporte que tengan el mismo tamaño de rosca que el husillo.

### ENSAMBLAJE DE LA RUEDA DE AMOLAR DE DISCO

Desconecte la herramienta de la fuente de energía. Asegúrese de que el protector de la rueda esté colocado en su sitio para amolar.

Al utilizar muelas automontables, enrósquelas directamente en el husillo.

Al utilizar muelas que requieren montaje, enrosque la PESTAÑA DE SOPORTE en el husillo y luego coloque la MUELA en el husillo. Enrosque la tuerca de fijación y apriétela utilizando la llave para tuerca de fijación suministrada con el juego de adaptador, a la vez que mantiene hacia adentro el cierre del husillo.

**PARA QUITAR LA MUELA:** Invierta el procedimiento.

### MUELAS ACOPADAS

Utilice muelas acopadas para la remoción pesada de materiales como metales, concreto y piedra.

### INSTALACIÓN DEL PROTECTOR DE LA MUELA CON CLIP AJUSTABLE

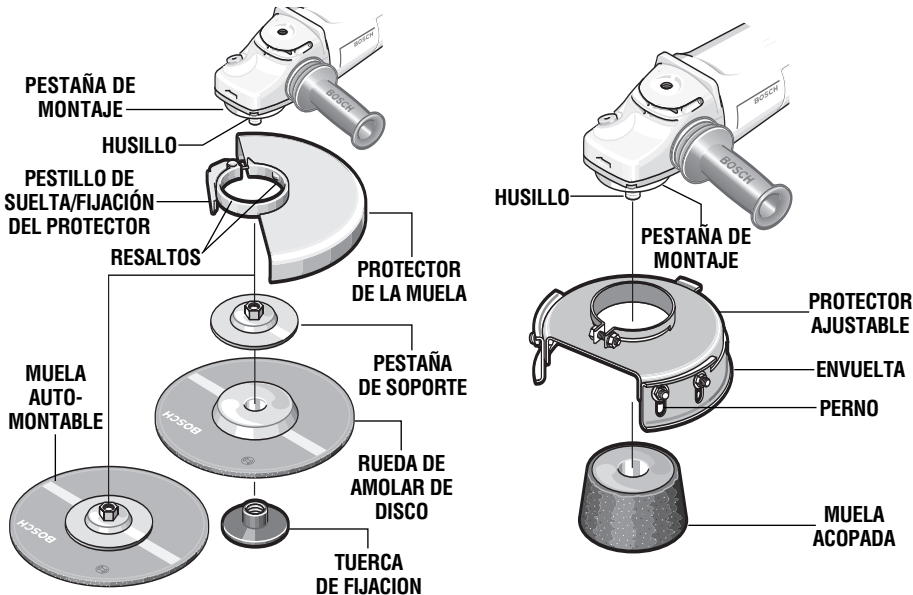
Abra la abrazadera del protector, acóplela en la pestaña de montaje y luego fjela apretando el tornillo de la abrazadera. **TENGA SIEMPRE ESTE PROTECTOR COLOCADO CUANDO UTILICE MUELAS ACOPADAS.**

El protector ajustable le permite bajar o subir la envuelta del protector. **PARA AJUSTARLO:** Afloje los cuatro pernos que se encuentran en la envuelta y fije dicha envuelta de manera que 6.35 mm de la muela quede al descubierto para máxima seguridad.

### COLOCACIÓN DE UNA MUELA ACOPADA

Enrosque la muela acopada en el eje del husillo EN EL SENTIDO DE LAS AGUJAS DEL RELOJ. Oprima el botón del cierre del husillo, gire la muela acopada hasta que el botón de fijación se acople y luego apriete la muela firmemente con la mano.

**PARA QUITAR LA MUELA:** Invierta el procedimiento.



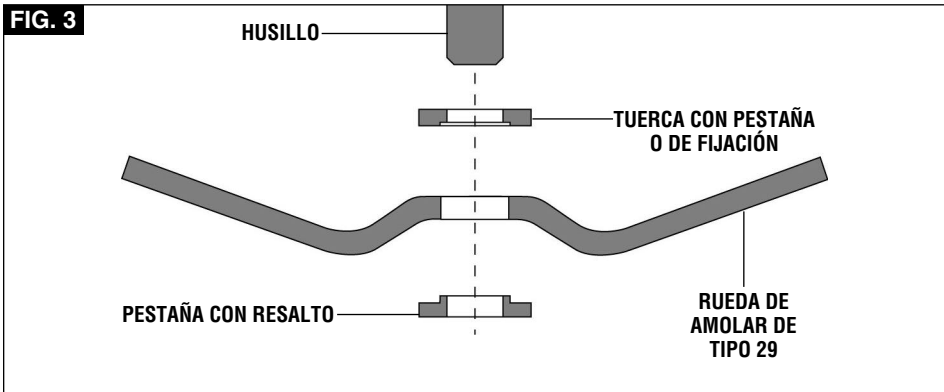
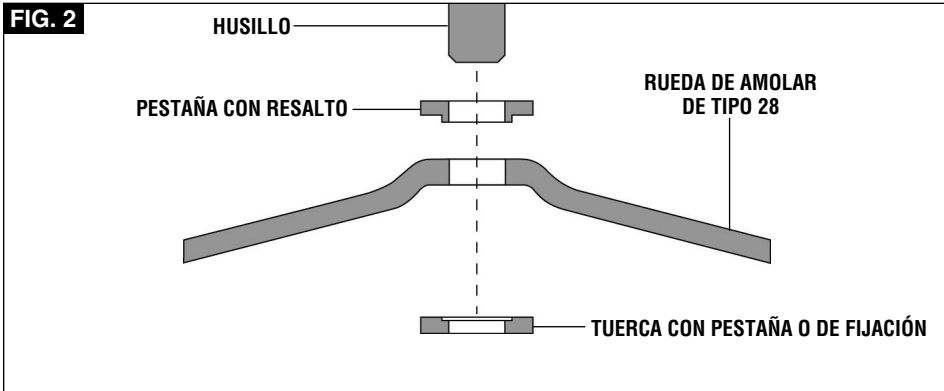
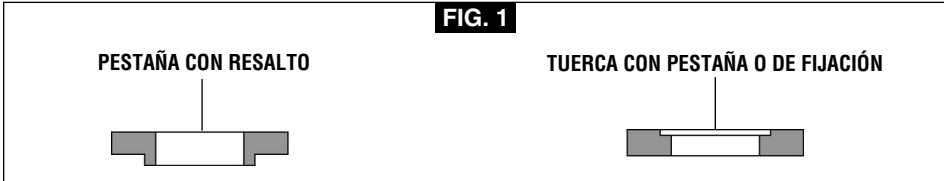
**MONTAJE DE RUEDAS DE AMOLAR DE TIPO 28 O DE TIPO 29**

**ADVERTENCIA** Para reducir el riesgo de lesiones, no use el juego de pestañas suministrado con su herramienta para montar ruedas de amolar de tipo 28 ó de tipo 29. Las pestañas suministradas con su herramienta no están diseñadas para montar estas ruedas.

Utilice únicamente el juego de pestañas pequeñas (disponible como accesorio) cuando monte ruedas de amolar de tipo 28 ó de tipo 29 (Fig. 1).

Consulte las figuras 2 ó 3 para ver el ensamblaje correcto de las ruedas de amolar cuando use el juego de pestañas pequeñas.

**JUEGO DE PESTAÑAS PEQUEÑAS NUMERO DE PIEZA 1 607 000 380**



## Ensamblaje de la lijadora

### ZAPATA DE SOPORTE

**⚠ ADVERTENCIA** Antes de colocar una zapata de soporte, asegúrese de que su velocidad máxima de funcionamiento con seguridad no es superada por la velocidad indicada en la placa del fabricante de la herramienta.

**⚠ ADVERTENCIA** El protector de la muela no se puede utilizar para la mayoría de las operaciones de lijado. Reinstale siempre el protector de la muela cuando realice la conversión a operaciones de amolado.

### PARA INSTALAR LA ZAPATA DE SOPORTE Y EL DISCO DE LIJAR

Desconecte la herramienta de la fuente de energía. Apoye la herramienta sobre su lado superior (husillo hacia arriba). Coloque la zapata de soporte de caucho sobre el eje del husillo. Centre el disco de lijado sobre la zapata de soporte. Introduzca la tuerca de fijación a través del disco y enrósquela en el husillo hasta donde pueda con los dedos. Ensamblaje de los accesorios de lijado.

### PARA QUITAR LA ZAPATA DE SOPORTE Y EL DISCO DE LIJAR

Desconecte la herramienta de la fuente de energía. Utilizando la llave de tuercas de fijación, desenrosque la tuerca del husillo mientras sujeta el husillo hacia adentro.

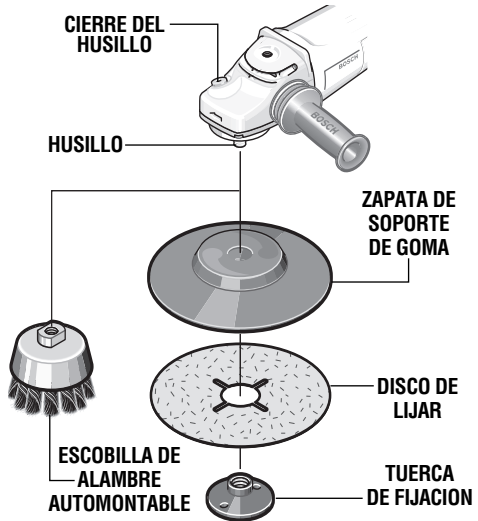
### ENSAMBLAJE DEL CEPILLO DE ALAMBRE

Antes de colocar la escobilla de alambre en esta herramienta, desconéctela de la fuente de energía. Las escobillas de alambre están equipadas con su propio cubo roscado; simplemente enrósquelas en el husillo. Asegúrese de que quedan asentadas contra el hombro antes de encender la herramienta (posición "ON").

### MANGO LATERAL

El mango lateral utilizado para guiar y equilibrar la herramienta, se puede enroscar en la parte delantera de la caja del motor en cualquiera de los dos lados de la herramienta o en su parte superior, dependiendo de la preferencia personal y de la comodidad. Utilice el mango lateral para un control seguro y una utilización fácil.

**⚠ ADVERTENCIA** Utilice siempre el mango auxiliar para tener un control máximo sobre la reacción de par motor o retroceso. Nunca intente manejar esta herramienta con una mano. La utilización de la amoladora sin el mango lateral podría causar pérdida de control de la misma, dando como resultado posibles lesiones personales graves.



## Instrucciones de funcionamiento

### INTERRUPTOR DE PALETA "TRICONTROL"

El interruptor de paleta "tricontrol" permite al operador controlar las funciones del interruptor de "Fijación en OFF", "ON/OFF" y "Fijación en ON".

**PARA DESBLOQUEAR EL INTERRUPTOR Y ENCENDER LA HERRAMIENTA (POSICION "ON"):** Empuje la palanca de paleta hacia ADELANTE (hacia el husillo) y luego oprima la palanca de paleta.



**PARA APAGAR LA HERRAMIENTA (POSICION "OFF"):** Deje de ejercer presión sobre la palanca de paleta. El interruptor está accionado por resorte y volverá a la posición "OFF" automáticamente.

El dispositivo de "Fijación en ON", incorporado al interruptor de paleta, resulta práctico para operaciones de lijado prolongadas.

**PARA FIJAR EL INTERRUPTOR EN LA POSICION "ON":** Después de activar el interruptor, EMPUJE la palanca de paleta completamente hacia ADELANTE y deje de ejercer presión sobre la palanca de paleta.

**PARA APAGAR LA HERRAMIENTA (POSICION "OFF"):** Oprima la palanca de paleta y luego suéltela. El interruptor está accionado por resorte y volverá a la posición "OFF" automáticamente.

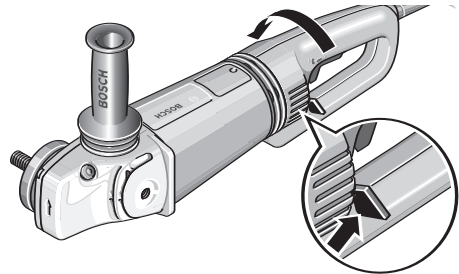
**⚠ ADVERTENCIA** Agarre la herramienta con las dos manos cuando arranque la herramienta, ya que el par de fuerzas del motor puede hacer que la herramienta se vuelva.

Arranque la herramienta antes de aplicarla a la pieza de trabajo. Levante la herramienta de la pieza de trabajo antes de soltar el interruptor. NO encienda y apague el

interruptor mientras la herramienta está sometida a carga; esto acortará enormemente la vida del interruptor.

### PALANCA DE SUELTA DE LA CAJA DEL MOTOR (Modelo 1894-6 solamente)

La herramienta está equipada con una palanca de suelta de la caja del motor que le permite girar el husillo 90° en cualquier sentido. Para utilizar este dispositivo, tire de la palanca de suelta en el sentido de la flecha para soltar la caja del motor y gire dicha caja hasta que se acople a presión en su sitio.



## Operación de amolado

### SELECCION DE RUEDAS DE AMOLAR

**⚠ ADVERTENCIA** Antes de utilizar una rueda de amolar, asegúrese de que su velocidad máxima de funcionamiento con seguridad no es superada por la velocidad indicada en la placa del fabricante de la amoladora. No exceda el diámetro de muela recomendado.

### RUEDAS DE AMOLAR DE DISCO

Las ruedas de amolar se deben seleccionar cuidadosamente para utilizar la amoladora con una eficiencia máxima. Las muelas varían en cuanto a tipo de abrasivo, adhesivo, dureza, tamaño del grano y estructura. El tipo correcto de muela a utilizar está determinado por el trabajo. Utilice ruedas de amolar de disco de óxido de aluminio para el amolado rápido de acero estructural, cordones de soldadura pesada, piezas de acero fundido, acero inoxidable y otros metales ferrosos. Utilice ruedas de amolar de disco de carburo de silicio para el acabado de piedra u hormigón.

### CONSEJOS PARA AMOLAR

El amolado eficiente se logra controlando la presión y manteniendo un ángulo de 10° a 15° entre la muela y la pieza de trabajo. Si la muela está en posición horizontal, es difícil controlar la herramienta. Si el ángulo es demasiado pronunciado, la presión se concentra en un área pequeña, haciendo que la superficie de trabajo se queme.

**⚠ ADVERTENCIA** Una presión excesiva o repentina sobre la muela retrasará la acción de amolado y someterá a la muela a un esfuerzo peligroso.

Al amolar con una muela nueva, asegúrese de amolar mientras que tira de la herramienta hacia atrás hasta que el borde de la muela quede redondeado. Las muelas nuevas tienen esquinas afiladas que tienden a "morder" o cortar la pieza de trabajo al empujar hacia adelante.

## Operaciones de lijado

### SELECCION DEL DISCO DE LIJAR

Los discos de lijado están hechos de granos de óxido de aluminio extremadamente duros y afilados, adheridos con resinas fenólicas a un fuerte soporte de fibra para servicios pesados rápidos y larga duración. El disco varía en cuanto a tamaño y separación de los granos abrasivos. CAPA ABIERTA (tipo H) - utilizado para materiales blandos y sobre pintura o barniz. CAPA CERRADA (tipo K) - utilizado para metal, madera dura, piedra, mármol y otros materiales donde las partículas amoladas son finas.

Los discos de lijado varían en grano desde 16 (muy grueso) hasta 180 (muy fino). Para obtener mejores resultados, seleccione los discos de lijado cuidadosamente. Muchos trabajos requieren la utilización de varios tamaños de grano y a veces se requieren tanto discos de "capa abierta" como de "capa cerrada" para realizar el trabajo más deprisa. Consulte el cuadro para ver ejemplos de aplicaciones.



OPERACION: Reacabado de superficies de madera o de metal pintadas.	
OBSERVACIONES	GRANO
Para quitar pintura y alisar irregularidades de la superficie.	Grueso 16-24-30
Para alisar el lijado basto.	Mediano 36-50-80
Para quitar arañazos dejados por discos anteriores	Fino 100-120
Para alisar superficies para pintar, pulir o encerar.	Muy fino 150-180

### CONSEJOS PARA LIJAR

Para mejores resultados, incline la lijadora de disco hasta un ángulo de 10° a 15° mientras lija para que aproximadamente sólo 1 pulgada de la superficie alrededor del borde del disco esté en contacto con la superficie de trabajo.

Si el disco (accesorio) se mantiene en posición horizontal o si el borde de atrás del disco entra en contacto con la pieza de trabajo, se puede producir un violento impulso hacia un lado. Si la lijadora se inclina demasiado, la acción de lijado será demasiado grande y se producirá una superficie cortada bastante o acanalado y atasco.

Guíe la lijadora de disco con pasadas transversales. Tenga cuidado de no mantener la lijadora en el mismo sitio demasiado tiempo. No utilice un movimiento circular, ya que esto causa marcas de remolino. Antes de la utilización, haga una prueba sobre material de desecho.

No fuerce ni aplique presión al lijar. Utilice únicamente el peso de la herramienta como presión. Un exceso de presión en realidad entorpece el funcionamiento de la herramienta. Si se desea una remoción de material más rápida, cambie a un disco de grano más grueso.

Quite la pintura gomosa del metal con un disco de "capa abierta". Lije hasta que empiecen a saltar chispas y entonces pare y cambie a un disco de "capa cerrada" para quitar la pintura que quede.

### LIJADO DE MADERA

Al lijar madera, el sentido del movimiento del disco en el punto de contacto debe ser tan paralelo a la veta como sea posible. El corte rápido de los discos y la configuración de arañazos tipo remolino que crean de vez en cuando prohíben generalmente su utilización para producir el acabado final.

Los arañazos y las marcas circulares suelen producirse como resultado de la utilización de un grano demasiado grueso. Cuando cambie a un grano más fino, lije cruzando las líneas de lijado que fueron hechas por un disco más grueso utilizado anteriormente.

### LIJADO DE METAL

Al lijar automóviles o electrodomésticos, limpie el metal con un disolvente ininflamable o con un limpiador comercial para quitar toda la cera y la grasa. Al hacer esto primero, los discos de lijar lijarán mejor y durarán más.

Para trabajo pesado, utilice primero un disco de grano grueso. Siga con un grano mediano para quitar los arañazos. Para producir un acabado liso, utilice un disco de grano fino.

## Operaciones con escobillas de alambre

Las escobillas de alambre están diseñadas para "limpiar" acero estructural, piezas fundidas, chapa metálica, piedra y hormigón. Se utilizan para quitar herrumbre, costra y pintura.

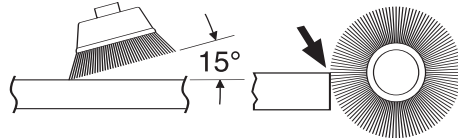
**ADVERTENCIA** Evite que el cepillo de alambre rebote y se atasque, especialmente al trabajar en esquinas, bordes afilados, etc. Eso puede causar pérdida de control y retroceso.

### PRESIÓN DE CEPILLADO

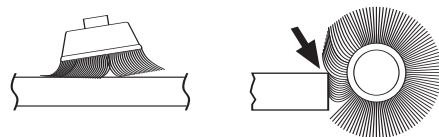
1. Recuerde que las puntas de un cepillo de alambre hacen el trabajo. Utilice el cepillo con la presión más ligera para que solamente las puntas del alambre entren en contacto con la pieza de trabajo.
2. Si se utilizan presiones más grandes, se someterá a los alambres a una tensión excesiva, lo cual dará como resultado una acción de barrido, y si se continúa haciendo esto, podrá acortarse la duración del cepillo debido a la fatiga del alambre.
3. Aplique el cepillo a la pieza de trabajo de manera que tanta cara del cepillo como sea posible esté en

contacto completo con la pieza de trabajo. La aplicación del lado o del borde del cepillo a la pieza de trabajo causará la rotura del alambre y acortará la duración del cepillo.

**CORRECTO:** Las puntas de alambre hacen el trabajo.



**INCORRECTO:** Una presión excesiva puede causar la rotura del alambre.



## Mantenimiento

### Servicio

**⚠ ADVERTENCIA** El mantenimiento preventivo realizado por personal no autorizado puede dar lugar a la colocación incorrecta de cables y componentes internos que podría constituir un peligro serio. Recomendamos que todo el servicio de las herramientas sea realizado por un Centro de servicio de fábrica Bosch o por una Estación de servicio Bosch autorizada.

#### LUBRICACIÓN DE LAS HERRAMIENTAS

Su herramienta Bosch ha sido lubricada adecuadamente y está lista para la utilización. Se recomienda que las herramientas con engranajes se vuelvan a engrasar con un lubricante especial para engranajes en cada cambio de escobillas.

#### ESCOBILLAS DE CARBÓN

Las escobillas y el conmutador de la herramienta han sido diseñados para muchas horas de servicio fiable. Para mantener un rendimiento óptimo del motor, recomendamos que cada dos a seis meses se examinen las escobillas. Sólo se deben usar escobillas de repuesto Bosch genuinas diseñadas específicamente para su herramienta.

#### RODAMIENTOS

Después de 300-400 horas de funcionamiento, o después de cada segundo cambio de escobillas, los

rodamientos deben cambiarse en un Centro de servicio de fábrica Bosch o en una Estación de servicio Bosch autorizada. Los rodamientos que se vuelven ruidosos (debido a la pesada carga o al corte de materiales muy abrasivos) deben ser sustituidos inmediatamente para evitar el sobrecalentamiento o el fallo del motor.

### Limpieza

**⚠ ADVERTENCIA** Para evitar accidentes desconecte siempre la herramienta de la fuente de energía antes de la limpieza o de la realización de cualquier mantenimiento. La herramienta se puede limpiar más eficazmente con aire comprimido seco. **Use gafas de seguridad siempre que limpie herramientas con aire comprimido.**

Las aberturas de ventilación y las palancas de interruptor deben mantenerse limpias y libres de materias extrañas. No intente limpiar introduciendo objetos puntiagudos a través de las aberturas.

**⚠ PRECAUCIÓN** Ciertos agentes de limpieza y disolventes dañan las piezas de plástico. Algunos de estos son: gasolina, tetracloruro de carbono, disolventes de limpieza clorados, amoníaco y detergentes domésticos que contienen amoníaco.

## Accesorios

**⚠ ADVERTENCIA** Si es necesario un cordón de extensión, se debe usar un cordón con conductores de tamaño adecuado que sea capaz de transportar la corriente necesaria para la herramienta. Esto evitará caídas de tensión excesivas, pérdida de potencia o recalentamiento. Las herramientas conectadas a tierra deben usar cordones de extensión de 3 hilos que tengan enchufes de 3 terminales y receptáculos para 3 terminales.

**NOTA:** Cuanto más pequeño es el número de calibre, más grueso es el cordón.

#### TAMAÑOS RECOMENDADOS DE CORDONES DE EXTENSION HERRAMIENTAS DE 120 V CORRIENTE ALTERNA

Capacidad nominal en amperes de la herramienta	Tamaño del cordón en A.W.G.				Tamaños del cable en mm <sup>2</sup>			
	Longitud del cordón en pies				Longitud del cordón en metros			
	25	50	100	150	15	30	60	120
3-6	18	16	16	14	0,75	0,75	1,5	2,5
6-8	18	16	14	12	0,75	1,0	2,5	4,0
8-10	18	16	14	12	0,75	1,0	2,5	4,0
10-12	16	16	14	12	1,0	2,5	4,0	—
12-16	14	12	—	—	—	—	—	—

\* Protector de la muela

\* Mango lateral

\*\* Llave de tuercas de fijación (amolado)

\*\* Pestaña de soporte (amolado)

\*\* Tuerca de fijación (amolado)

(\* = equipo estándar)

(\*\* = accesorios opcionales)

\*\* Rueda de amolar

\*\* Pestaña de soporte (lijado)

\*\* Zapata de soporte de goma (lijado)

\*\* Llave de tuercas de fijación (lijado)

El protector de la muela se debe usar cuando la lijadora se haya convertido para realizar operaciones de amolado.

**Notes:**  
**Remarques :**  
**Notas:**

### LIMITED WARRANTY OF BOSCH PORTABLE AND BENCHTOP POWER TOOLS

Robert Bosch Tool Corporation ("Seller") warrants to the original purchaser only, that all BOSCH portable and benchtop power tools will be free from defects in material or workmanship for a period of one year from date of purchase. SELLER'S SOLE OBLIGATION AND YOUR EXCLUSIVE REMEDY under this Limited Warranty and, to the extent permitted by law, any warranty or condition implied by law, shall be the repair or replacement of parts, without charge, which are defective in material or workmanship and which have not been misused, carelessly handled, or misrepaired by persons other than Seller or Authorized Service Station. To make a claim under this Limited Warranty, you must return the complete portable or benchtop power tool product, transportation prepaid, to any BOSCH Factory Service Center or Authorized Service Station. For Authorized BOSCH Power Tool Service Stations, please refer to your phone directory.

THIS LIMITED WARRANTY DOES NOT APPLY TO ACCESSORY ITEMS SUCH AS CIRCULAR SAW BLADES, DRILL BITS, ROUTER BITS, JIGSAW BLADES, SANDING BELTS, GRINDING WHEELS AND OTHER RELATED ITEMS.

ANY IMPLIED WARRANTIES SHALL BE LIMITED IN DURATION TO ONE YEAR FROM DATE OF PURCHASE. SOME STATES IN THE U.S., SOME CANADIAN PROVINCES DO NOT ALLOW LIMITATIONS ON HOW LONG AN IMPLIED WARRANTY LASTS, SO THE ABOVE LIMITATION MAY NOT APPLY TO YOU.

IN NO EVENT SHALL SELLER BE LIABLE FOR ANY INCIDENTAL OR CONSEQUENTIAL DAMAGES (INCLUDING BUT NOT LIMITED TO LIABILITY FOR LOSS OF PROFITS) ARISING FROM THE SALE OR USE OF THIS PRODUCT. SOME STATES IN THE U.S. AND SOME CANADIAN PROVINCES DO NOT ALLOW THE EXCLUSION OR LIMITATION OF INCIDENTAL OR CONSEQUENTIAL DAMAGES, SO THE ABOVE LIMITATION OR EXCLUSION MAY NOT APPLY TO YOU.

THIS LIMITED WARRANTY GIVES YOU SPECIFIC LEGAL RIGHTS, AND YOU MAY ALSO HAVE OTHER RIGHTS WHICH VARY FROM STATE TO STATE IN THE U.S., PROVINCE TO PROVINCE IN CANADA AND FROM COUNTRY TO COUNTRY.

THIS LIMITED WARRANTY APPLIES ONLY TO PORTABLE AND BENCHTOP ELECTRIC TOOLS SOLD WITHIN THE UNITED STATES OF AMERICA, CANADA AND THE COMMONWEALTH OF PUERTO RICO. FOR WARRANTY COVERAGE WITHIN OTHER COUNTRIES, CONTACT YOUR LOCAL BOSCH DEALER OR IMPORTER.

### GARANTIE LIMITÉE DES OUTILS ÉLECTRIQUES PORTATIFS ET D'ÉTABLI BOSCH

Robert Bosch Tool Corporation (le « vendeur ») garantit à l'acheteur initial seulement que tous les outils électriques portatifs et d'établi BOSCH seront exempts de vices de matériaux ou d'exécution pendant une période d'un an depuis la date d'achat. LA SEULE OBLIGATION DU VENDEUR ET LE SEUL RECOURS DE L'ACHETEUR sous la présente garantie limitée, et en autant que la loi le permette sous toute garantie ou condition implicite qui en découlerait, sera l'obligation de remplacer ou réparer gratuitement les pièces défectueuses matériellement ou comme fabrication, pourvu que lesdites défectosités ne soient pas attribuables à un usage abusif ou à quelque réparation bricolée par quelqu'un d'autre que le vendeur ou le personnel d'une station-service agréée. Pour présenter une réclamation en vertu de cette garantie limitée, vous devez renvoyer l'outil électrique portatif ou d'établi complet, port payé, à tout centre de service agréé ou centre de service usine. Veuillez consulter votre annuaire téléphonique pour les adresses.

LA PRÉSENTE GARANTIE NE S'APPLIQUE PAS AUX ACCESSOIRES TELS QUE LAMES DE SCIÉS CIRCULAIRES, MÊCHES DE PERCEUSES, FERS DE TOUPIES, LAMES DE SCIÉS SAUTEUSES, COURROIES DE PONÇAGE, MEULES ET AUTRES ARTICLES DU GENRE.

TOUTE GARANTIE IMPLICITE SERA LIMITÉE COMME DURÉE À UN AN À COMPTER DE LA DATE D'ACHAT. CERTAINS ÉTATS AMÉRICAINS, CERTAINES PROVINCES CANADIENNES N'ADMETTANT PAS LE PRINCIPE DE LA LIMITATION DE LA DURÉE DES GARANTIES IMPLICITES, IL EST POSSIBLE QUE LES LIMITATIONS CI-DESSUS NE S'APPLIQUENT PAS À VOTRE CAS.

EN AUCUN CAS LE VENDEUR NE SAURAIT ÊTRE TENU POUR RESPONSABLE DES INCIDENTS OU DOMMAGES INDIRECTES (INCLUANT, MAIS NE SE LIMITANT PAS AUX PERTES DE PROFITS) CONSÉCUTIFS À LA VENTE OU L'USAGE DE CE PRODUIT. CERTAINS ÉTATS AMÉRICAINS ET CERTAINES PROVINCES CANADIENNES N'ADMETTANT PAS LE PRINCIPE DE LA LIMITATION NI L'EXCLUSION DES DOMMAGES INDIRECTES ET CONSÉQUENTIELS, IL EST POSSIBLE QUE LES LIMITATIONS OU EXCLUSIONS CI-DESSUS NE S'APPLIQUENT PAS À VOTRE CAS.

LA PRÉSENTE GARANTIE VOUS ACCORDE DES DROITS BIEN DÉTERMINÉS, Y COMPRIS POSSIBLEMENT CERTAINS DROITS VARIABLES DANS LES DIFFÉRENTS ÉTATS AMÉRICAINS, PROVINCES CANADIENNE ET DE PAYS À PAYS.

CETTE GARANTIE LIMITÉE NE S'APPLIQUE QU'ÀUX OUTILS ÉLECTRIQUES PORTATIFS ET D'ÉTABLI VENDUS AUX ÉTATS-UNIS D'AMÉRIQUE, AU CANADA ET AU COMMONWEALTH DE PORTO RICO. POUR COUVERTURE DE GARANTIE DANS LES AUTRES PAYS, CONTACTEZ VOTRE IMPORTATEUR OU REVENDEUR BOSCH LOCAL.

### GARANTIA LIMITADA PARA HERRAMIENTAS MECANICAS PORTATILES Y PARA TABLERO DE BANCO BOSCH

Robert Bosch Tool Corporation ("el Vendedor") garantiza, únicamente al comprador original, que todas las herramientas mecánicas portátiles y para tablero de banco BOSCH estarán libres de defectos de material o de fabricación durante un periodo de un año a partir de la fecha de compra. LA ÚNICA OBLIGACION DEL VENDEADOR Y EL RECURSO EXCLUSIVO QUE USTED TIENE bajo esta Garantía Limitada y, hasta donde la ley lo permita, bajo cualquier garantía o condición implícita por ley, consistirá en la reparación o sustitución sin costo de las piezas que presenten defectos de material o de fabricación y que no hayan sido utilizadas incorrectamente, manejadas descuidadamente o reparadas incorrectamente por personas que no sean el Vendedor o una Estación de servicio autorizada. Para efectuar una reclamación bajo esta Garantía Limitada, usted debe devolver el producto, que consiste en la herramienta mecánica portátil o para tablero de banco completa, con el transporte pagado, a cualquier Centro de servicio de fábrica o Estación de servicio autorizada. Para Estaciones de servicio autorizadas de herramientas mecánicas BOSCH, por favor, consulte el directorio telefónico.

ESTA GARANTIA LIMITADA NO SE APLICA A ARTICULOS ACCESORIOS TALES COMO HOJAS PARA SIERRAS CIRCULARES, BROCAS PARA TALADROS, BROCAS PARA FRESADORAS, HOJAS PARA SIERRAS DE VAIVEN, CORREAS PARA LIJAR, RUEDAS DE AMOLAR Y OTROS ARTICULOS RELACIONADOS.

TODAS LAS GARANTIAS IMPLICITAS TENDRAN UNA DURACION LIMITADA A UN AÑO A PARTIR DE LA FECHA DE COMPRA. ALGUNOS ESTADOS DE LOS EE.UU. Y ALGUNAS PROVINCIAS CANADIENSES NO PERMITEN LIMITACIONES EN CUANTO A LA DURACION DE UNA GARANTIA IMPLICITA, POR LO QUE ES POSIBLE QUE LA LIMITACION ANTERIOR NO SEA APLICABLE EN EL CASO DE USTED.

EL VENDEADOR NO SERA RESPONSABLE EN NINGUN CASO DE NINGUN DAÑO INCIDENTAL O EMERGENTE (INCLUYENDO PERO NO LIMITADO A RESPONSABILIDAD POR PERDIDA DE BENEFICIOS) QUE SE PRODUZCA COMO CONSECUENCIA DE LA VENTA O UTILIZACION DE ESTE PRODUCTO. ALGUNOS ESTADOS DE LOS EE.UU. Y ALGUNAS PROVINCIAS CANADIENSES NO PERMITEN LA EXCLUSION O LIMITACION DE LOS DAÑOS INCIDENTALES O EMERGENTES, POR LO QUE ES POSIBLE QUE LA LIMITACION O EXCLUSION ANTERIOR NO SEA APLICABLE EN EL CASO DE USTED.

ESTA GARANTIA LIMITADA LE CONFIERE A USTED DERECHOS LEGALES ESPECIFICOS Y ES POSIBLE QUE USTED TAMBIEN TENGA OTROS DERECHOS QUE VARIAN DE ESTADO A ESTADO EN LOS EE.UU., DE PROVINCIA A PROVINCIA EN CANADA Y DE UN PAIS A OTRO.

ESTA GARANTIA LIMITADA SE APLICA SOLAMENTE A HERRAMIENTAS ELECTRICAS PORTATILES Y PARA TABLERO DE BANCO VENDIDAS EN LOS ESTADOS UNIDOS DE AMERICA, CANADA Y EL ESTADO LIBRE ASOCIADO DE PUERTO RICO. PARA COBERTURA DE GARANTIA EN OTROS PAISES, PONGASE EN CONTACTO CON SU DISTRIBUIDOR O IMPORTADOR LOCAL DE BOSCH.

© Robert Bosch Tool Corporation 1800 W. Central Road Mt. Prospect, IL 60056-2230

Exportado por: Robert Bosch Tool Corporation Mt. Prospect, IL 60056-2230, E.U.A.

Importado en México por: Robert Bosch, S.A. de C.V., Calle Robert Bosch No. 405, Zona Industrial, Toluca, Edo. de México, C.P. 50070, Tel. (722) 2792300