



655 Eisenhower Drive  
 Owatonna, MN 55060 USA  
 Phone: (507) 455-7000  
 Tech. Serv.: (800) 533-6127  
 Fax: (800) 955-8329  
 Order Entry: (800) 533-6127  
 Fax: (800) 283-8665  
 International Sales: (507) 455-7290  
 Fax: (507) 455-7063

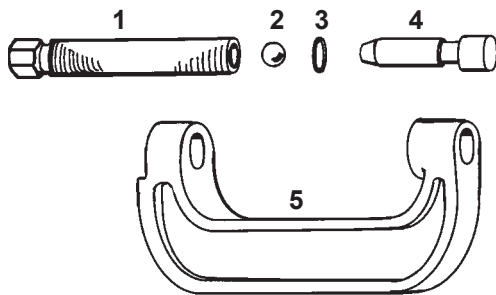
Form No. 104950

Parts List &  
 Operating Instructions  
 for:

7248  
 7249

## Brake Anchor Pin Pusher / U-joint Press and Ball Joint Removal and Installation Set

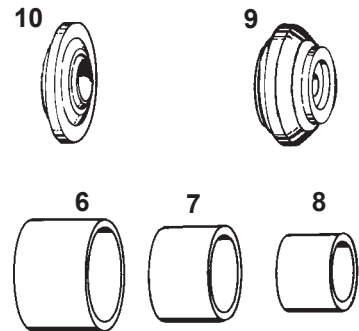
### Parts List



#### C-frame #7248

(does not include Items 6-10)

Item No.	Part No.	No. Req'd	Description
1	571190	1	Forcing Screw
2	14472	1	Steel Ball (5/8 in. dia.)
3	10273	1	O-ring (13/16 x 5/8 x 3/32, -114)
4	29501	1	Plug
5	41925	1	C-frame

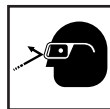


#### Tool Sets #7249

(includes Tool #7248)

Item No.	Part No.	No. Req'd	Description
6	29503	1	Receiving Tube (3 in. OD x 2-3/4 in. ID)
7	29504	1	Receiving Tube (2-1/2 in. OD x 2-1/4 in. ID)
8	29505	1	Receiving Tube (2 in. OD x 1-3/4 in. ID)
9	305228	1	Removing Adapter
10	305227	1	Installing Adapter

### Safety Precautions



**CAUTION:** To prevent personal injury:

- Wear protective eyewear that meets the requirements of ANSI Z87.1 and OSHA.
- Before repairing a vehicle, block all wheels to prevent movement.
- Check final alignment of tooling and components before using the C-frame press to exert pressure.

Shaded area reflects  
 the last revision  
 made to this form.

Sheet No. 1 of 2

Issue Date: Rev. C December 16, 2013

## Operating Instructions

### Brake Anchor Pin Removal and Installation

1. Remove all lock ring retainers from the brake anchor pins.
2. Position the C-frame press over the brake spider as shown in Figure 1.
3. Tighten the forcing screw until the anchor pin is removed.

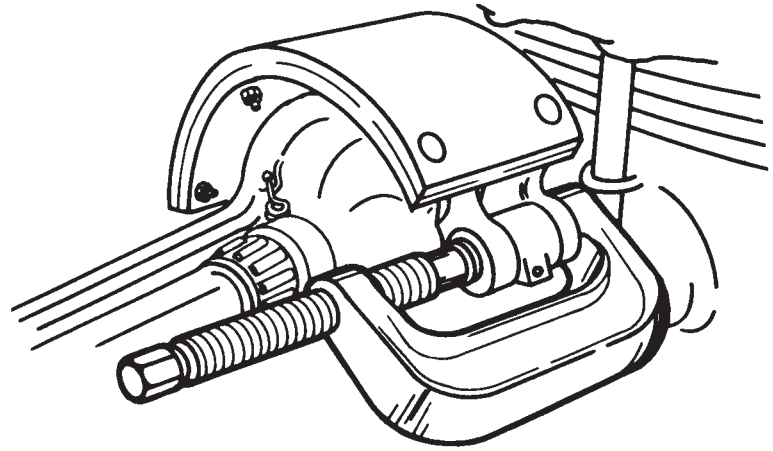


Figure 1

### U-Joint Assembly and Disassembly

The basic C-frame press is used to service the U-joints on most cars and light trucks. U-joints can be serviced either on or off the vehicle.

#### Disassembly

1. Remove any external and / or internal lock rings.
2. Position the C-frame press around the drive shaft yoke, and tighten the forcing screw until the first bearing is removed.
3. Reposition the C-frame and remove the second bearing.

#### Assembly

1. Clean all dirt and oil from the yoke area.
2. Align the replacement bearing and C-frame press as straight as possible over the yoke. Press the replacement bearing into the yoke, and reassemble the external / internal lock ring.
3. Reposition the C-frame press and second replacement bearing as straight as possible over the yoke, and press the bearing into the yoke. Reassemble external / internal lock ring.

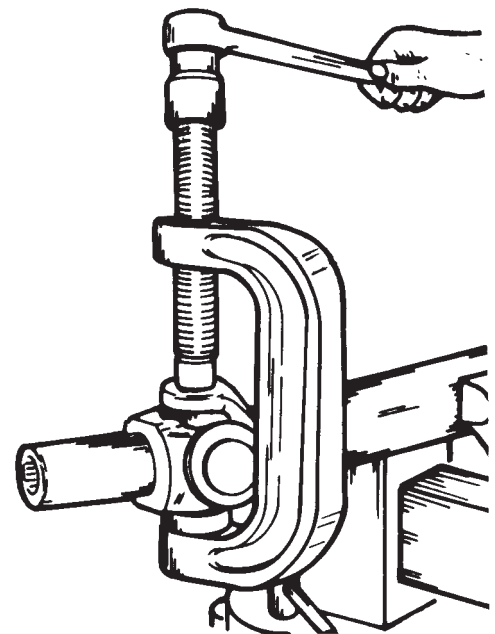


Figure 2

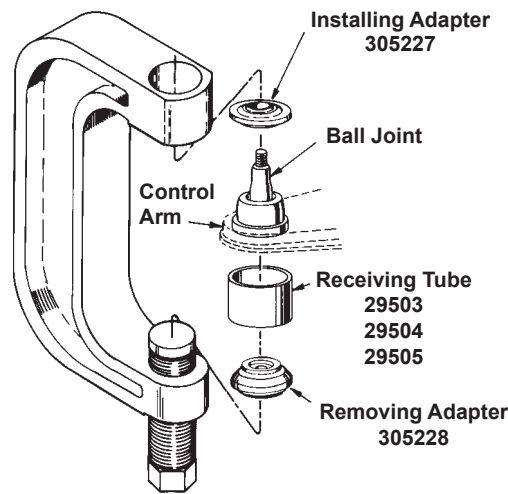
**Ball Joint Removal and Installation**

This tool set is designed for use on most cars and light trucks that have press-fit type ball joints. It will help the user remove and install ball joints without the need to remove the control arm from the vehicle.

*NOTE: Some cars and light trucks may have the upper ball joint spot-welded to the control arm. The weld must be cut before attempting to remove the ball joint.*

**Removal** (Item numbers refer to the parts list on Sheet 1)

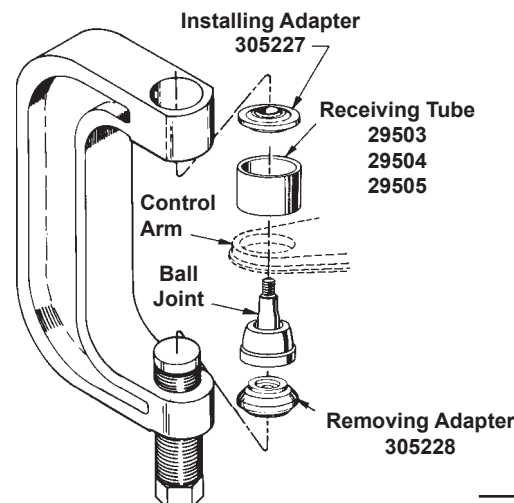
1. Assemble the ball joint press over the control arm as shown in Figure 3. Select the correct size receiving tube (Item 6, 7, or 8), and position it under the vehicle ball joint as shown.
2. Tighten the forcing screw until the receiving tube contacts the control arm. Check the alignment of all tooling and components, and continue tightening the forcing screw until the ball joint is removed.



**Figure 3**

**Installation**

1. Clean the control arm and coat the I.D. with a suitable lubricant.
2. Insert the replacement ball joint as straight as possible into the vehicle control arm.
3. Assemble the ball joint press components as shown in Figure 4. Position the receiving tube, and tighten the forcing screw. Check the alignment of all tooling and components, and continue tightening the forcing screw until the ball joint is firmly seated.



**Figure 4**

*This page intentionally left blank.*